

2018 Parts Catalog



(800) 423-4751 Order Desk
(562) 944-6237 Information
(562) 941-8677 Fax

10215 Greenleaf Avenue
Santa Fe Springs, CA 90670

E-Mail: tbirds@prestigethunderbird.com
Website: www.PrestigeThunderbird.com

Table of Content

CONTENTS

Introduction	2
Soft Tops Complete	3
Stereo Systems	4
Disc Brake Kits	5
Drums & Hubcaps	6
Continental Kit, Wheel Bearings	7
Brakes, Boosters, Master Cylinder	8-11
Front Suspension & Steering	12-17
Rear Ends	18-19
Exhaust Systems	20-22
Front Stabilizer Bar, Rear Suspension	23
Engine, Transmission, Valve Covers, Oil Filters	24-28
Shifters & Clutch	28-29
Radiator, Fan Shrouds	30-31
Grill, Radiator Hoses	31-33
Water Pumps, Thermostats	33-34
Fans, Gas Tanks, Gas Caps, Fuel System	34-36
Carburetors, Air Cleaners, Accelerator Parts	36-39
Firewall Pad	39
Ventilation System	40
Windshield, Wind Wings, Sun Visors	41
Dash, Glove Box	42-43
Generator, battery, battery Trays	44-45
Temperature Gauge, Starter Motor, Ignition & Tune Up	46-48
Distributor Plug Wires, Vacuum Advance	48-49
Headlamp, Parklamp, Turn Signal Switch	49-50
Tail Lamp, License Lamp	50-51
Horn Rings, Medallions, Horns	52
Battery Cables, Wiring, Electric Window & Seat Parts	52-54
Fenders, Medallions, Ornaments	55
Hood Cables, Jack Assembly	56-57
Speedometer Cables, Gears & Lenses	57
Windshield Wipers & Washer	58
Mirrors, Bumpers Brackets, Bumper Guards	59-60
Clocks, Shocks, Heater Core & Defroster System	61-63
Radio & Antenna	63
Doors & Trim	64-67
Skirts, Porthole Parts	67-68
Trunk Parts & Trunk Mats	68-70
Tops handles & Medallions	71-72
Seat Belts	73
HardTop & Soft Top Weatherstrip Kit	74
Upholstery	75-77
Kits: Body Gasket Kit & Trim Kits	78
Air Conditioning	78
Paints Electric Fan Kits	79
Bras, Car Covers, Tires, Key Blanks	80
"E" Model Linkage	81
Decals	82
Literature	83-84
hardware Kits	86-88
Sheet Metal Repair Panels	85
Data Plate Information	89
Index	90

Thunderbird, the legendary bird of the American Indian whose appearance brought prosperity, power and luck. It was thought to bring rain which stimulated new life. It inspired courage, health, leadership and creativity.

Catalog Use Information

NUMBER - All numbers listed are basic Ford part numbers. It is recommended that this catalog be used in conjunction with our Parts Illustrated Catalog, which shows illustrations of each functional system along with a basic Ford number for each individual part.

SUFFIXES - Part numbers ending with "R" are reproduced items, made by private suppliers to duplicate in every way, the factory original piece. You can be assured that each reproduced part is of the same high quality as the original.

Part numbers ending with "RB" denote a rebuilt part, sold on an exchange basis only. You send in your old part, prepaid, and we send you a rebuilt part from our stock.

Parts with "RE" in the description are replacements of the original piece, but in some cases, may be different in appearance or design.

ABBREVIATIONS - Several abbreviations are used for rather lengthy words that often repeat themselves:
Assembly - Ass'y Continental Kit - Con't Kit Fordomatic - F/M Standard Trans - S/T Overdrive Trans - O/D

ORDERING - Just fill out one of the PARTS ORDER FORMS in the center section and follow the instructions listed. We look forward to hearing from you!

USED PARTS - We have quite a large selection of used parts available for sale through our Parts Department. Because the list of used parts changes so rapidly, we ask that you request a price quote on a particular used item by mail or phone. The used part inventory includes items that are no longer available new, and parts that you may wish to substitute for new ones in order to save the difference in cost.

* Indicates new product

Enjoy looking through the pages and if you have specific questions please call us at (562) 944-6237.

Restorations



QUALITY AND PROFESSIONAL WORKMANSHIP ARE YOURS AT *Prestige Thunderbird*

We at Prestige Thunderbird are professionals in the industry. We have one of the most complete full service and restoration center for the classic 1955-1957 Thunderbirds in the world. Because there are so many parts needed to completely restore a Thunderbird, we have built up our parts department to make it the largest in the industry. Please feel free to call or write to us about your Thunderbird needs. For friendly and knowledgeable service talk to Rick, Frank, or Robert.

RESTORATIONS

There are over 50 T-Birds presently in the restoration process at our Southern California shop, each being carefully returned to its original condition. Each individual restoration is a tailored package, suited to the owner's desires and budget, with particular emphasis on authenticity. The quality of the final product is proof of the individualized professional handcrafted workmanship offered at Prestige Thunderbird.



Pre-Prestige Restored

*In Business
Since 1974*



**Cars for sale
call for a list of
available models**

Having the largest Parts Department in the industry we carry new Ford parts, new reproduced items, as well as many used and New-Old-Stock pieces. Also included in the part department is a large stock of upholstery materials, ready to install. Accessory items available include such items as wide white-wall tires, air conditioning, and hard top locks.

Prestige Restored

Soft Tops

EXCELLENT REPLACEMENT FOR ORIGINAL AT A GREAT PRICE

One unique accessory we have developed at Prestige Thunderbird is a replacement soft top. The quality of the final product is proof of the professional hand crafted workmanship offered at Prestige Thunderbird.



FEATURES:

- All metal frame (powder painted black for lasting durability)
- Comes with original style clamps and handles
- Zip down rear window like original
- Available in white or black vinyl (optional canvas on special order)
- Configured like original soft top



Stainless Header Trim \$525.00

Optional

Swing Bar and mounting feet \$25.00
Powder coated black, comes assembled with spring, bolts and necessary hardware to attach to top and car.
(Actual shipping charges apply)

Feel free to call us for material samples or a colored brochure.

Vinyl

Black or White \$2695.00

Canvas

Black, Tan, or Dark Blue \$2,995.00
Canvas material made of Stayfast Material, the Best available. Guaranteed not to fade or discolor. Give your car the RICH look of canvas.
(Actual shipping charges apply)



Stereo Systems and CD Players



Custom Autosound USA-1

AM/FM Cassette • Electronic Tuning • **100 Watts** • Separate Bass & Treble • Auto Reverse • Digital Clock • 4-way Fader • Fast Forward/Rewind • Best Station Memory • RCA re-outs • Pre-set Scan • Chrome or Black Face . . . **\$209.00**



Custom Autosound USA-230

200 Watt AM/FM Receiver • No dash modifications • Digital Clock • Separate Bass/Treble/Fader/Balance Controls • Seek Auto Tune • Electronic Tuning • Preset Stations • 4 Channel RCA Outputs • AUX Input (for iPod/XM/MP3) **\$199.00**
(Note: Radio pictured with original knobs, not included)



Custom Autosound USA-630

240 Watt AM/FM Receiver • No dash modifications • CD Changer Controller • Digital Clock • Separate Bass/Treble/Fader/Balance Controls • Seek Auto Tune • Electronic Tuning • Preset Stations • 4 Channel RCA Outputs • AUX Input (for iPod/XM/MP3)
Radio **\$259.00**
Radio with CD Player **\$499.00**
CD Player Only **\$259.00**

Secretaudio Third Generation

Hideaway 200 Watt AM/FM CD Controller with USB MP3/WMA Flash drive, iPod Control, CD Control, Satellite Radio Ready • Wireless Remote Control • 200 Watt AM/FM Stealth Audio Solution (50w x 4) • Alpha Numeric LDC Display • Auxiliary Input For Connection of Portable Players • 4 Channel 3V RCA Pre-Outs • 4 Way Fader
Radio with CD **Inquire**
Radio Only **Inquire**



Custom Autosound CD60

All functions are controlled by buttons on the radios
CD Player Only **Inquire**



Dual Voice Coil Speaker This speaker has up to 70% more cone area than the conventional dual speaker setup, giving you improved bass response and power handling (120 watts). Both stereo channels connect directly to one speaker. **\$58.00**



Dual rear 6x9 Speakers, mounted in trunk divider board **130.00**
Upgrade Speakers . . . **179.00**

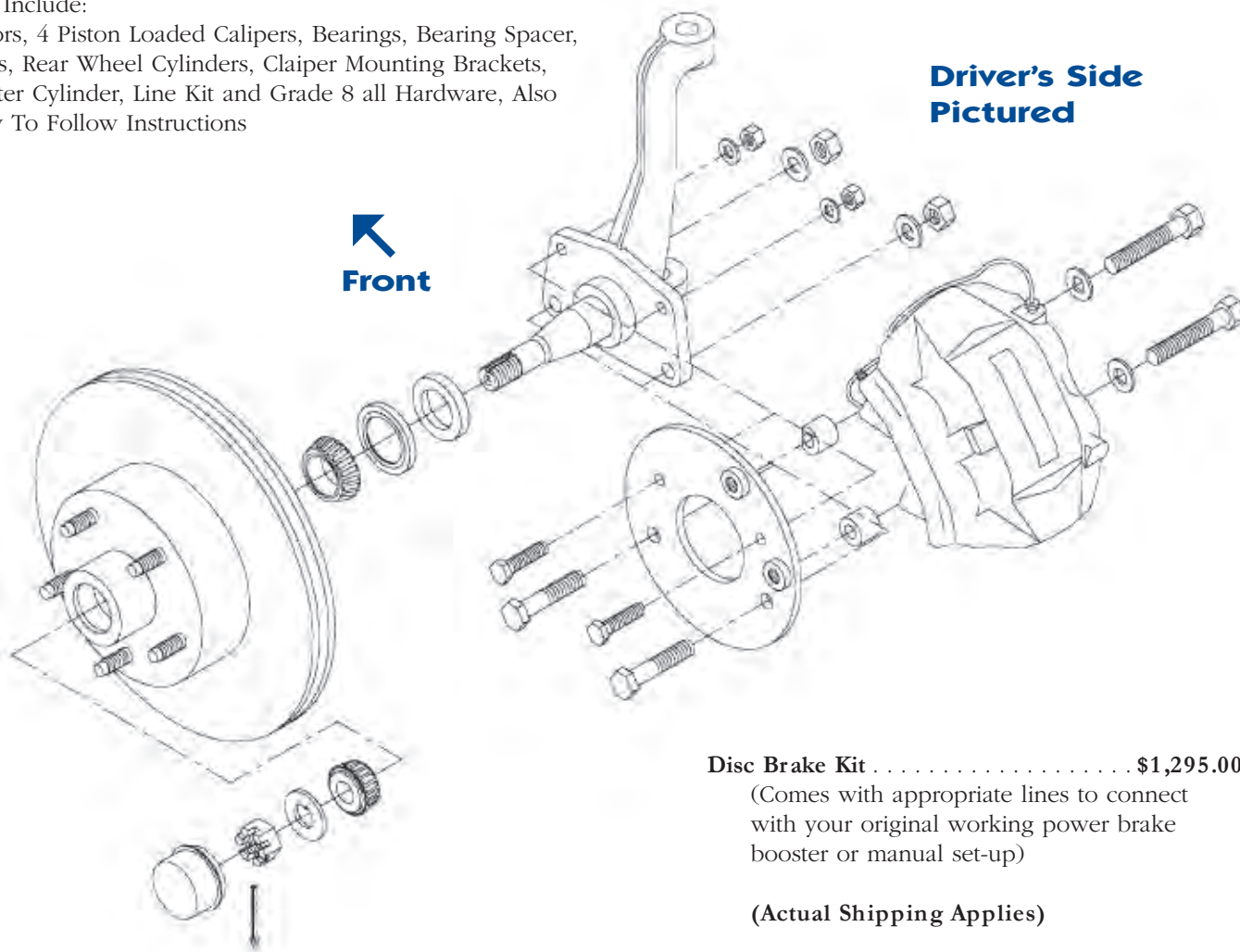
All radios come with complete instructions and a 1 year warranty.

Disc Brake Kits

1955/57 Thunderbird Disc Brake Kits

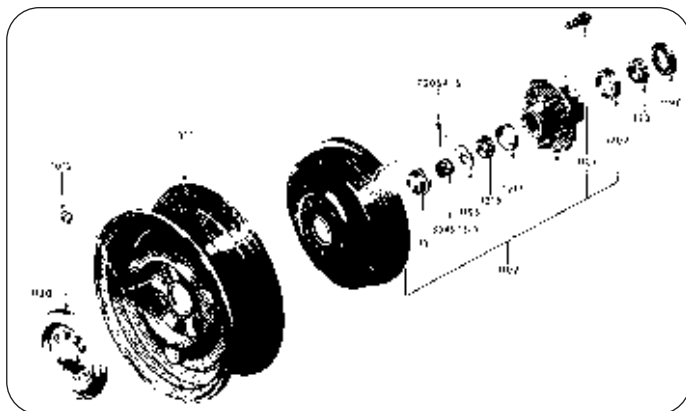
Kits Include:

Rotors, 4 Piston Loaded Calipers, Bearings, Bearing Spacer, Seals, Rear Wheel Cylinders, Caliper Mounting Brackets, Master Cylinder, Line Kit and Grade 8 all Hardware, Also Easy To Follow Instructions



Wheels & Hubcaps

RIMS AND DRUMS



- 1001 Gasket, rear wheel retainer.95
- 1012 Wheel nut 1.65

- 1015 Wheel Replacement
14 inch 57, 99.95
15 inch 55, 56 109.95



- 1015W Wire Wheel 14" and 15" bead laced design fits 55-63 T-Birds. Correct off set for fender skirt clearance on 55-57 models with original type spinner cap.
Set of four 2,695.95
Set of five. 3,395.95



- * Must use inner tubes (each) 21.95
- 1107 Stud front & rear hub & spare carrier on 56. 2.95

DRUMS

- 1125A Front brake drums 55-56 159.95
- 1125B Rear brake drums 55-56 159.95
- 1125C Front brake drums 57. . . . 159.95
- 1125D Rear brake drums 57 159.95



WHEEL COVERS



1130A



1130B



1130WR



1130ER

- 1130A Hubcap, 55-56 full wheel w/medallion . 145.00
- 1130B Hubcap, 57 full wheel 145.00
- 1130ER Simulated wire wheel cover 55-56 106.95
- 1130KR Kit simulated wire wheel covers with small Ford button hubcaps & attaching clips Set of four Red Center 55 625.00
Set of five White Center 56. 781.00
- 1130KIT Simulated wire wheel basket and hubcap kit. Includes 4 wide baskets and 4 hubcaps. These baskets require "no clips", a little extra money but no aggravation like the original style has, Set of four 795.00
Set of five 995.00
- 1130WR Small button hubcap red or white. . . . 45.95
- 1142N Cup and spinner for our wire wheel. . . 83.95
- 1150R Clip for attaching simi wire cover with bumper 5 per wheel. 4.95

- 1131 Cap hub, grease 6.95



- 1132R Tool 56 Con't kit wheel cover remover 12.95
- 1141 Medallion, wheel cover 55-56. 23.95

Wheel Bearings, Continental Kit & Spare Tire

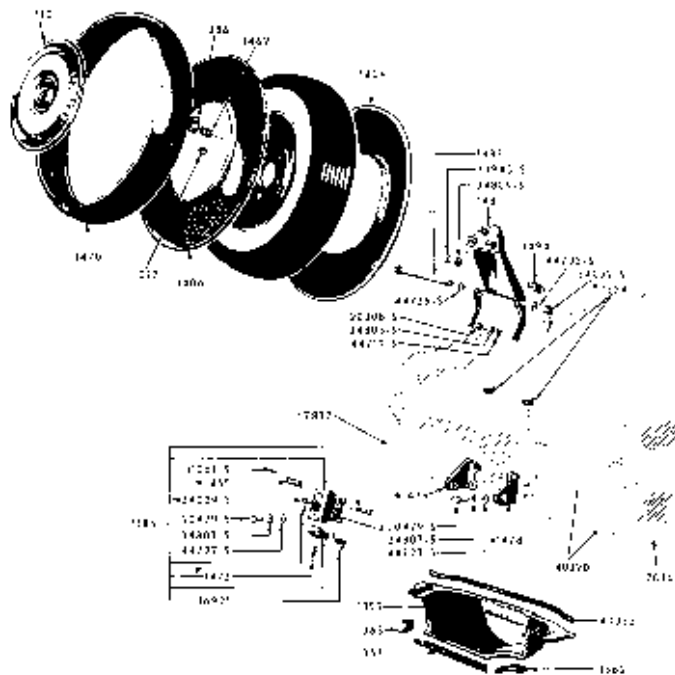
WHEEL BEARINGS AND SEALS

1177	Seal rear bearing, inner	8.95
1190	Retainer, front wheel grease	4.95
1193R	Gasket, front brake grease baffle95
1195	Washer, front spindle	Inquire
1201/2	Inner wheel bearing, and race	12.95
1216/7	Outer wheel bearing, and race	11.95
1225	Bearing, rear wheel with retainer 1180	39.95

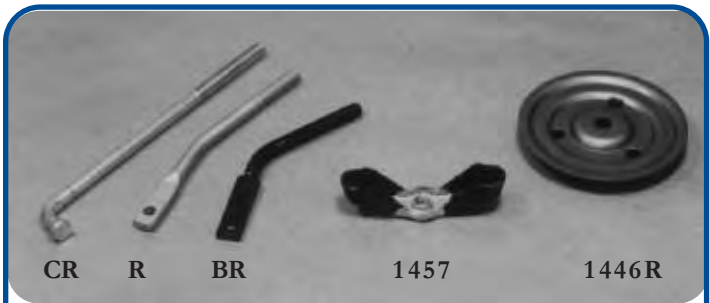
1424 Plate, spare wheel mounting 57 only
36.95



CONTINENTAL KIT



1352AR	Seal set, 56 spare wheel stone guard consisting of 1 each 1357, 1362, 1363, 40332.	18.10
1352FR	Stoneguard, spare wheel cover 56 fiberglass	179.95
1354AR	Grommet set, 56 spare wheel hinge	9.95
1386CR	Lever ass'y 56 con't kit aluminum	159.95
1386R	Lever ass'y 56 con't kit steel	Inquire
1406R	Tire cover spare wheel 56 steel	222.00



1446R	Clamp plate, spare wheel 55	5.95
1448AR	Bolt, spare wheel carrier 6 3/8" 57.	19.95
1448BR	Bolt, spare wheel carrier 5 1/2" 57.	15.95
1448CR	Bolt, spare wheel carrier 55.	10.95
1455R	Bumper, con't kit hinge, rubber	5.95
1457	Wing nut, like original 57	13.95

1470CR	Retainer ring, spare wheel cover, stainless steel	Inquire
1470SR	Retainer ring, spare wheel cover Steel	Inquire
1473R	Spring cont. kit latch	9.95
1481R	Hinge, tire mounting 56 con't kit repro, includes 1-1478, 1-1479, 1-1481.	189.95
252ATB	Bolt Kit Continental kit holder (1481) to body/frame 56, 16 pcs	5.50
1487R	Bolt kit, spare wheel hinge, 56 contains 1-1487, 1-34032-S, 2-44735-S.	12.95
1494R	Dowel, spare wheel hinge lock, 56.	16.95

Brakes, Boosters & Kits

BRAKES

- 2001 Brake shoe see part #2018
- 2004 Kit, master cylinder repair. 29.95



- 2005O/S Oversize Booster Inquire
- 2005RB Rebuilt Power Brake Booster (Exchange) 499.00
Core Charge. 250.00
- 2005ER Clip, power brake vacuum line at
fuel line 3.60



- 2019AK Brake Major Overhaul Kit, contains
1#2018, 2#2061-2, 2#2261-2, 1#2095K,
5#2149, 2#2078 & 1#2282
(state year). 249.95

Power Brake Installation Kit

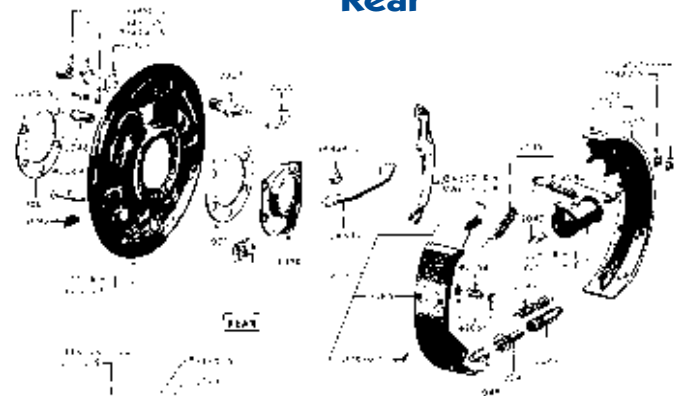


- 2005PTK Kit, power brake installation complete
to add power brakes on your car,
55 995.00
56,57 995.00

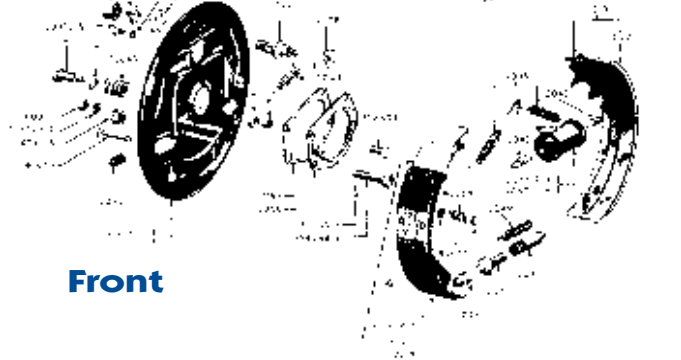
- 2005KO/S Oversize Booster Kit 55, 57 Inquire

- 2018 Brake shoe and lining set, riveted,
front axle set (state year) for rear
see #2218. 42.95

Rear



Front



- 2028 Plate, brake shoes anchor pin (used) 4.75
- 2031R Bracket, power brake booster mounting,
state year 52.95
- 2035 Spring, brake shoe retracting 2.50
- 2041 Screw, brake adjusting Used
- 2042 Link, brake shoe to cylinder Used
- 2049 Spring, brake adjusting 3.95

Brakes

WHEEL CYLINDERS - FRONT

2061	Cylinder, front brake RH.	24.95
2062	Cylinder, front brake LH.	24.95
	<i>(For rear cylinders see # 2261, 2262)</i>	
2068	Spring, break shoe hold down, state year.	1.25
2069	Pin-brake shoe.	1.20
2073	Bracket, Rear Brake Hose - 57 with Bolt	13.95

BRASS FITTINGS FOR BRAKE SYSTEM

2074A	Brake line junction block on differential 55-56.	71.95
2074B	Brake line junction block on differential 57.	71.95
2075	Brake connector block, LH front 55-57.	16.95
354446-S	Brake line junction block for stoplight switch.	69.95
2076A	Fitting, master cylinder outlet with seat.	11.95
2076B	Fitting, power brake outlet without seat <i>(For brass vacuum fittings see # 2-2247 AR)</i>	11.95



2078AR	Hose, power brake booster to frame. . .	21.95
2078	Hose, brake, front RH 14 1/4" long. . . .	16.95
2079	Hose, brake, front LH 14 1/4" long. . . .	16.95
2091R	Nut, park brake equalizer level.	4.50
2092	Cover, brake adjusting hole.75



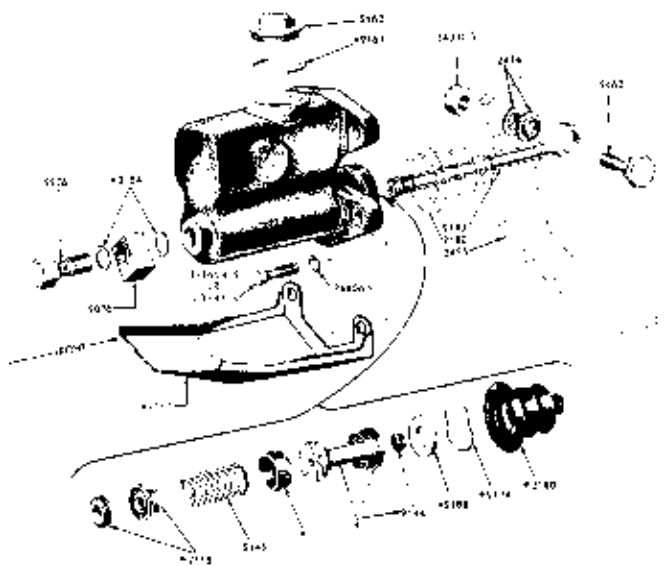
BRAKE SHOE SPRING KIT

2095AK	Kit, front brake shoe springs and hold down parts, includes 2-2A094, 4-2035, 2-2049, 2-2092.	24.95
2095BK	Kit, rear brake shoe springs and hold down parts; includes same as above, and 2-2106.	24.95
2095CK	Kit, front and rear brake shoe springs and hold down parts, includes 2095AK and 2095BK.	41.95

2106	Retainer, parking brake lever.70
------	--	-----

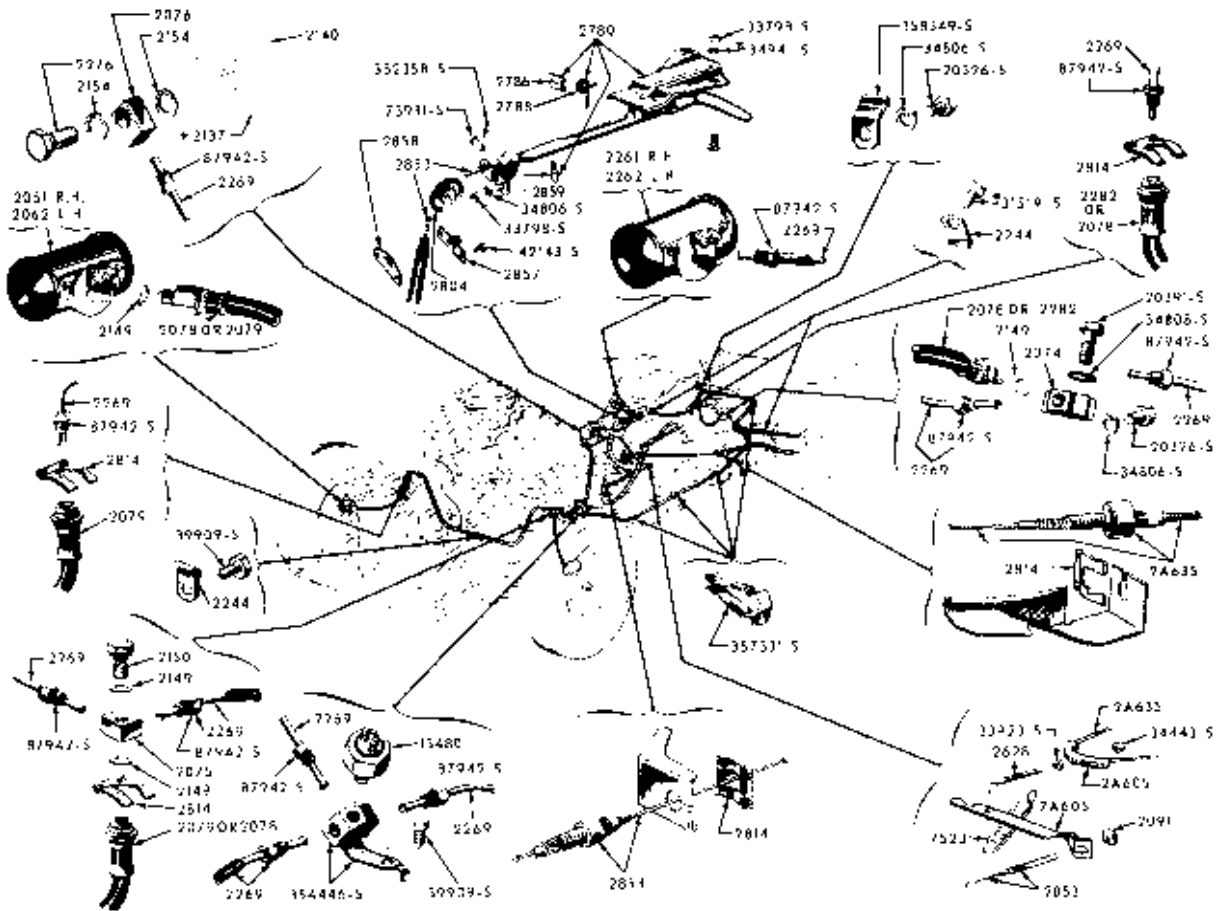
WHEEL CYLINDER REBUILDING KIT

2128	Kit, brake cylinder repair front.	9.95
	rear, 55.	9.95
	rear, 56-57.	9.95



2137	Master cylinder shield 56,57.	21.95
2137D	Master cylinder shield, disc brakes. . . .	21.95
2140	Master cylinder, less push rod.	99.95
2143	Push rod end bushing.	6.95

Brakes



TYPICAL BRAKE SYSTEM

2149	Gasket, brake line95	2-2247R	Vacuum line, power brake booster to manifold formed steel with fitting, specify year	24.95
2150R	Bolt, LH front, brake line to block	5.95	2-2247BR	Fitting, master cylinder line to power brake booster (#353706-S)	8.95
2154	Gasket, brake fittings95	2249R	Hose, power brake booster to vacuum line (#2-2247R), rubber	4.50
2162	Cap, master cylinder filler replacement	10.95	WHEEL CYLINDERS - REAR		
2162A	Master Cylinder Fill Cap with "FOMOCO" Marking 55 & Early 56	46.95	2261	Cylinder, rear brake RH (state year)	24.95
2162BB	Master Cylinder Fill Cap with "BB Markings" 56, 57	41.95	2262	Cylinder, rear brake LH (state year)	24.95
2167	Gasket, for #216295	<i>(For front wheel cylinders see # 2061, 2062)</i>		
2208	Screw, bleeder, wheel cylinder and P/B unit	3.25			
2218	Brake shoe and lining set, riveted, rear set (state year)	42.95			
2244AR	Clip, brake line to frame & axle	1.95			

2-2247AR	Manifold vacuum blocks for power brake	
55	34.95
56	34.95
57	34.95



Brake Tubes & Emergency Brake

STEEL BRAKE LINES

2269-1A-std	Brake tube, M/C to frame, Std/OD	19.80
2269-1A-FM	Brake tube, M/C to frame, F/M	19.95
2269-1B	Brake tube, M/C to booster, 55	17.95
2269-1C	Brake tube, M/C to booster, 56	19.95
2269-2	Brake tube, across front	33.50
2269-3	Brake tube, left front	22.50
2269-4	Brake tube, front section along frame . .	48.75
2269-5A	Brake tube, rear section along frame, 55	39.50
2269-5B	Brake tube, rear section along frame, 56	46.50
2269-5C	Brake tube, rear section along frame, 57	51.50
2269-6A	Brake tube, rear axle, LH, 55-56.57. 23.00	32.00
2269-7A	Brake tube, rear axle, RH, 55-56	29.00
2269-7B	Brake tube, rear axle, RH, 57	23.00
357331-S	Clip, Brake line to frame 3 req.	3.25

2276	Bolt, brake fitting	15.95
2282	Hose, rear brake	21.95
2309R	Power brake overhaul kit (The Best) . .	119.95
2365R	Check valve, brake booster replacement	23.95
2368	Power brake booster piston	21.95
2377R	Rod, power brake booster diaphragm . .	7.95
2394	Diaphragm and pressure plate, power brake booster cylinder	69.95
2420	Tube ass'y, power brake booster, the correct tube for T-Bird, Converts your passenger car replacement booster back to original 56,57	15.95



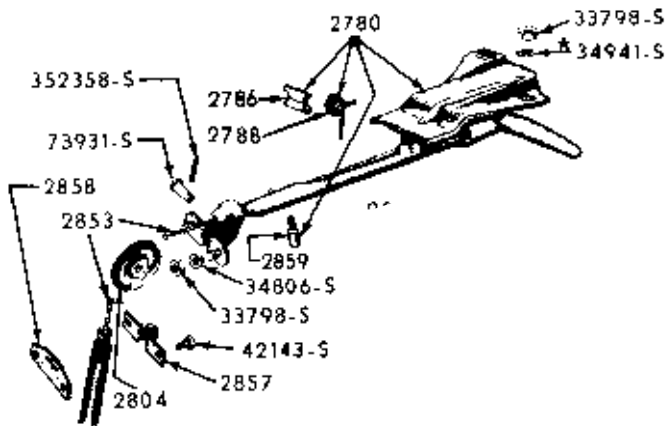
2454A	Pad, brake pedal with F/M	19.95
2454R	Pad, brake pedal Swift Sure, F/M	44.95
141TB	Bolt kit F/M brake pedal to pedal arm, 2 pcs80
2457A	Pad, brake or clutch 57	5.95
2457R	Pad, brake or clutch (as original) 55, 56	10.95
2461	Bushing, brake pedal shaft	15.95
2474	Bushing, master cylinder push rod 2 req	5.95
2481	Insulator - brake pedal spring	19.95

EMERGENCY BRAKE

2A601	Spring, parking brake link	5.50
2A602	"U" bracket for emergency brake cable	29.95
2A605	Lever, park equalizer	25.95
2628	Rod, parking brake equalizer	21.95
2A635	Rear park brake cable, specify year . .	38.95
2A637	Emergency brake lever RH	34.95
2A638	Emergency brake lever RH	34.95
2762	Fitting, power brake elbow	2.95
2780R	Emergency brake handle w/pin	49.95
2786R	Pawl, parking brake ratchet bar	8.95
2788R	Spring, parking brake ratchet pawl lock.	3.75
2804	Pulley, parking brake cable	24.95



2804CR	Cover, parking brake pulley, mounts to firewall	31.95
2805R	Clip, emergency brake cover	6.75



2814A	Clip, parking brake cable to frame	1.60
2814B	Clip, brake hose to frame	1.25
2853	Cable & conduit, parking brake handle to equalizer level	44.95
2857R	Clamp, brake cable to firewall	3.95
2858	Retainer, brake cable to firewall	3.95
2859	Pin, parking brake level	3.75
3A006	Cap, power steering oil reservoir filler RE	23.95

Toll Free U.S. & Canada (800) 423-4751 or (562) 944-6237 • FAX (562) 941-8677

Front Suspension

FRONT SUSPENSION BUMPERS

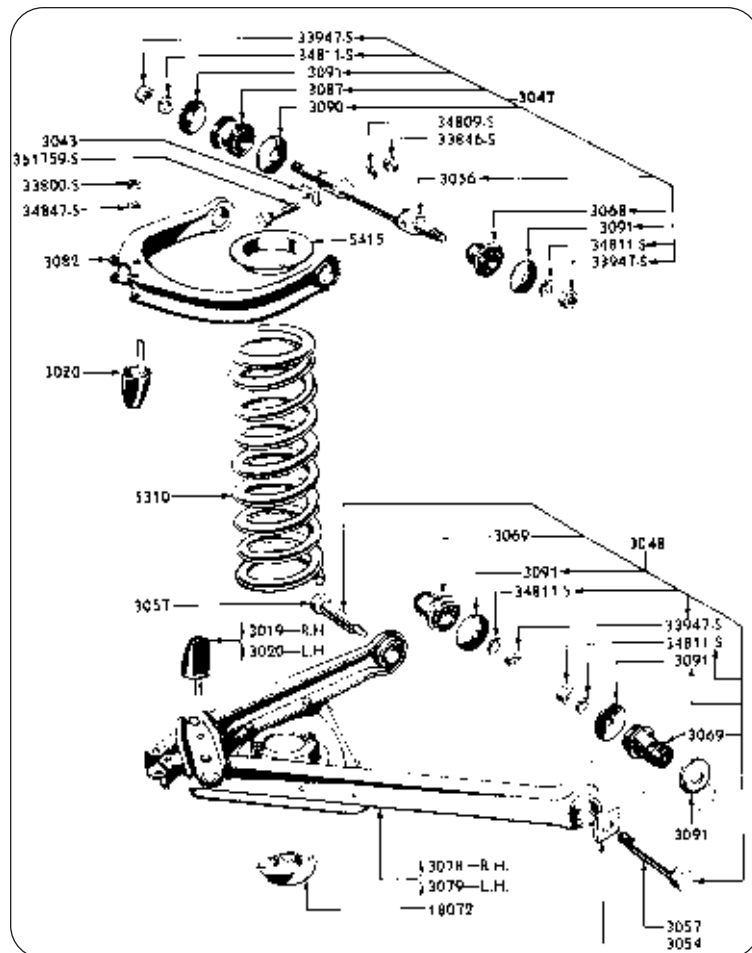
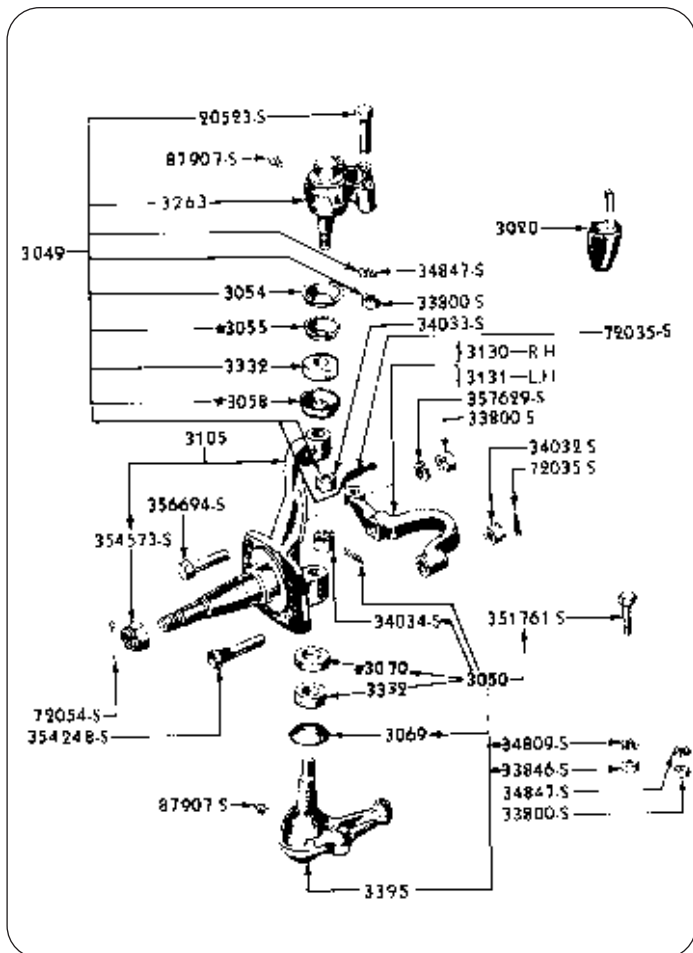


- | | | |
|---------|---|-------|
| 3019 | Bumper, lower A arm, RH | 7.95 |
| 3020A | Bumper, lower A arm, LH. | 7.95 |
| 3020B | Bumper, upper A arm. RH or LH | 7.95 |
| 3021PTK | Front suspension bumpers (4) | 29.95 |
-
- | | | |
|------|---|------|
| 3043 | Shim, front end upper for alignment . . . | |
| | 1/8" thick. | 1.95 |
| | 1/16" thick. | 1.95 |

BALL JOINT KIT



- | | | |
|--------|---|--------|
| 3048K | Complete ball joint seal & washer kit . . | 24.95 |
| 3049 | Kit, upper ball joint 2 required each . . . | 54.95 |
| 3050 | Kit, lower ball joint 2 required each . . . | 54.95 |
| 3051K | Upper & lower ball joints, contains: | |
| | 2#3049 & 2#3050 * attaching parts | 213.95 |
| 3054RK | Upper ball joint washer & felt kit ea . . . | 8.95 |
| 3069RK | Lower ball joint washer & felt kit ea . . . | 5.95 |
-
- | | | |
|------|---|-------|
| 3055 | Sleeve, lower control arm. | 9.95 |
| 3057 | Bolt, lower control arm mounting. | 29.95 |



Bushings & Tie Rod Ends



- 3070K** Kit, front suspension bushing, contains:
2#3068 & 4 #3069 & #3087 52.50
- 3068** Bushing, front suspension upper arm
inner shaft front 5.95
- 3069C** Bushing, front suspension lower mount
bolt 7.95
- 3087** Bushing, front suspension inner shaft,
rear 6.50

- 3A130** Tie rod end assembly outer 17.95
- 3280** Tie rod, RH inner 51.95
- 3281** Tie rod, LH inner 51.95
- 3310** Sleeve, tie rod link adjusting. 13.95

- 3304R** Drag link bar, power steering 245.00

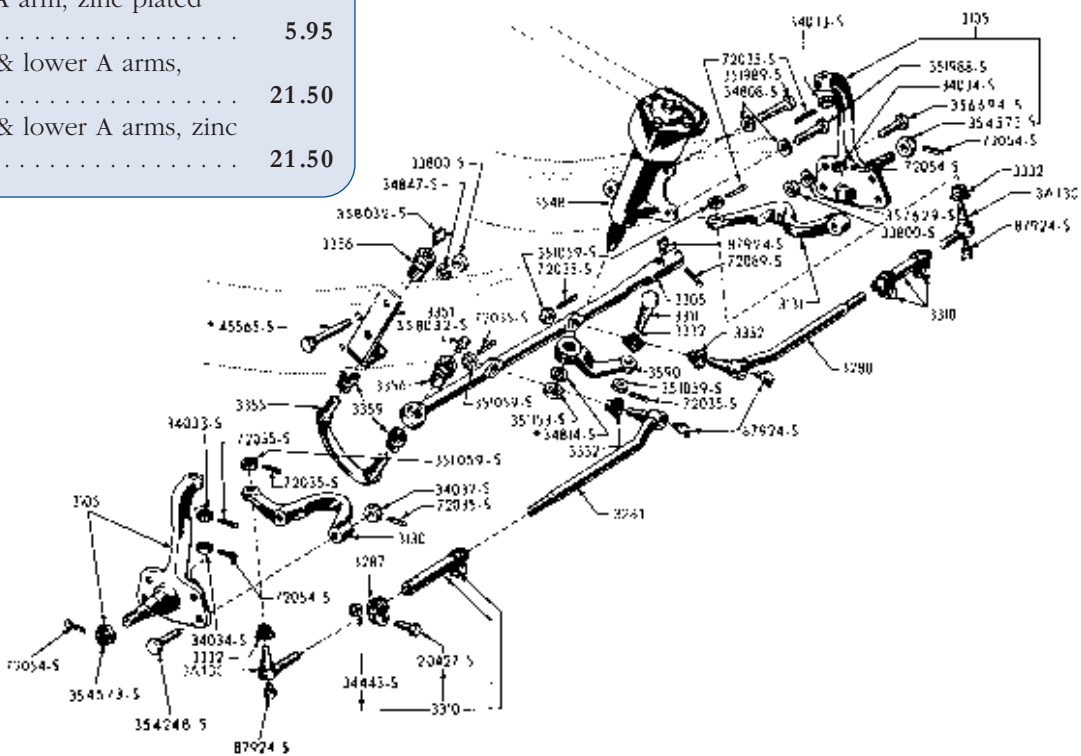


- 3332AR** Seal, tie rod end. 2.25
- 3332BR** Seal, Pitman arm ball stud- manual
steering 1.95

SUSPENSION ARM WASHER KITS

- 3090PK** Washer kit, upper A arm, plain steel, as
original 6.50
- 3090ZK** Washer kit, upper A arm, zinc plated
steel. 6.50
- 3091PK** Washer kit, lower A arm, plain steel, as
original 5.95
- 3091ZK** Washer kit, lower A arm, zinc plated
steel. 5.95
- 3092PK** Washer kit, upper & lower A arms,
plain steel 21.50
- 3092ZK** Washer kit, upper & lower A arms, zinc
plated 21.50

TYPICAL MANUAL STEERING



Power Steering

- 3A351R Crush nut, power steering idler bracket retaining 2.95
- 3351R Bracket, power steering idler arm mounting 114.95

IDLER ARMS



- 3355P Idler arm, power steering w/bushings . . 67.95
- 3355M Idler arm, Standard steering w/bushings 79.95
- 3356KA Bushing, idler arm with power steering upper & lower 17.95
- 3356KB Bushings, idler arm with standard steering, pair 24.95
- 3359R Idler arm seals - pair (manual steering). 4.95



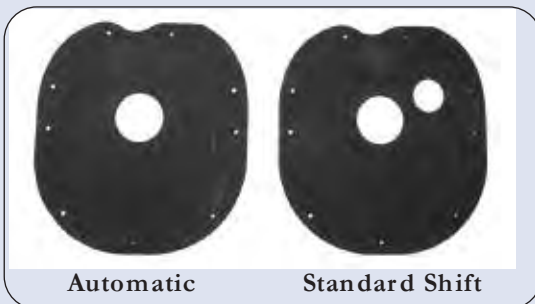
REBUILT STEERING BOX

- 3504RB Gear ass'y, steering, rebuilt, exchange only, ready to install, does not include new sector shaft. 575.00
- core charge 250.00

Power Steering Kit includes: Rebuilt pump, control valve, cylinder ram, all new hoses, belt & brackets necessary to add power steering to your car (as original) . . **2,895.00**
 Replacement Power Steering Kit **2,595.00**



- 3C511 Support bracket, power steering pump . . 51.95
- 3512 Grommet, steering column to firewall . . 8.75



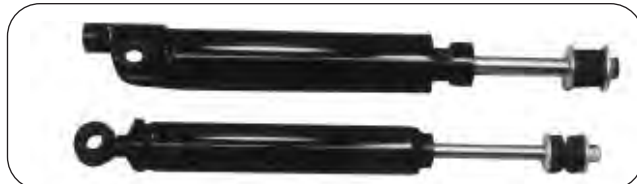
- 3513R Seal, steering column weather seal, specify S/T or F/M transmission 4.95

- 3517 Bearing, upper steering shaft 21.95
- 3524 Worm gear only, this must be pressed on your shaft 135.00
- 3524R Worm gear shaft 95.00

STEERING BOX REBUILD KIT

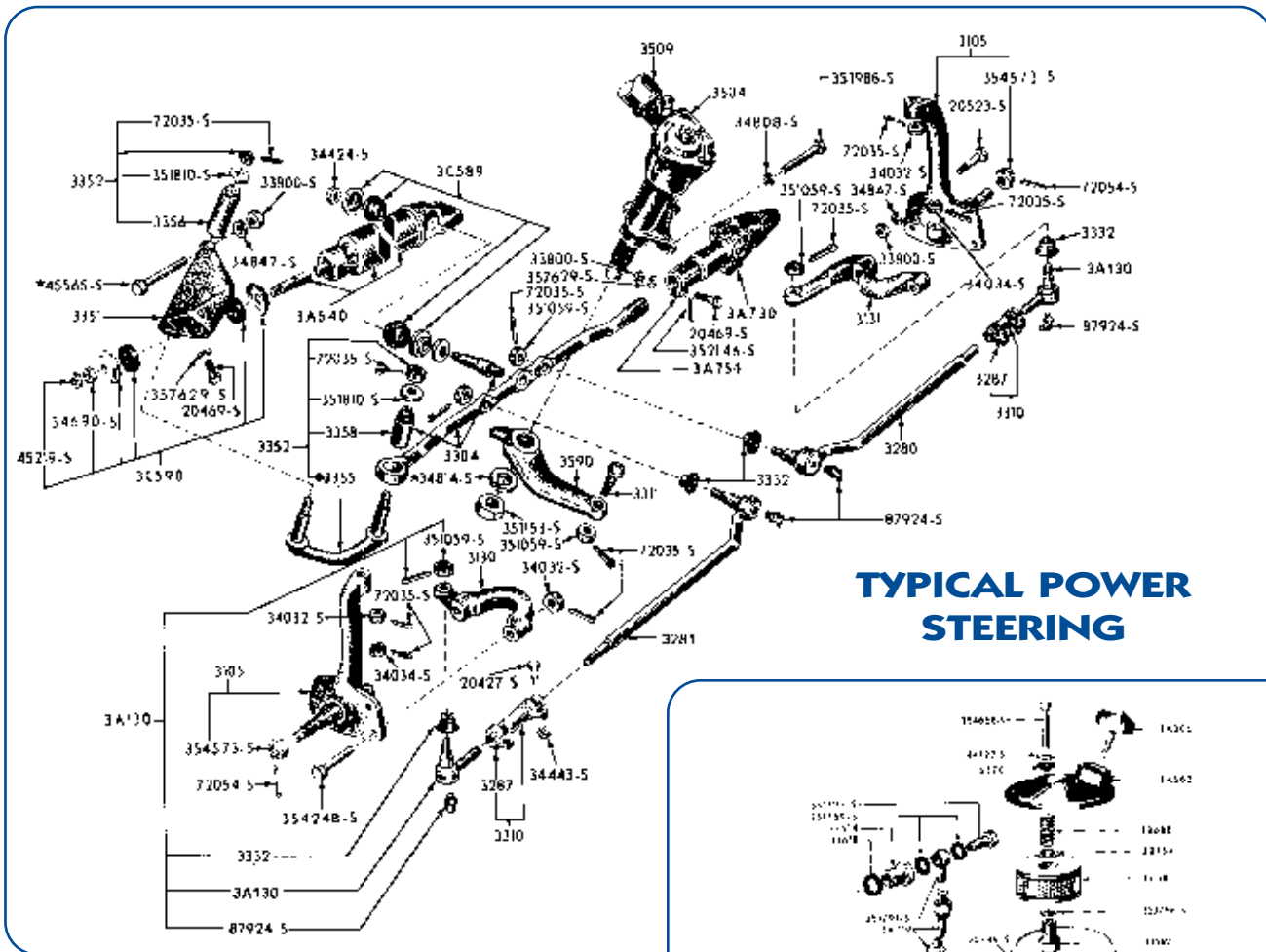
- 3525-K Kit, all parts needed to rebuild your steering box 55-57 (less sector shaft) . . 239.00
- Grease, for steering box 6.95

- 3528 Seal Kit, worm gear shaft in steering box 17.95
- 3A533B P/S control valve, ball, spring & cover 57 36.95
- 3-3538 Element, power steering oil reservoir filter 15.95

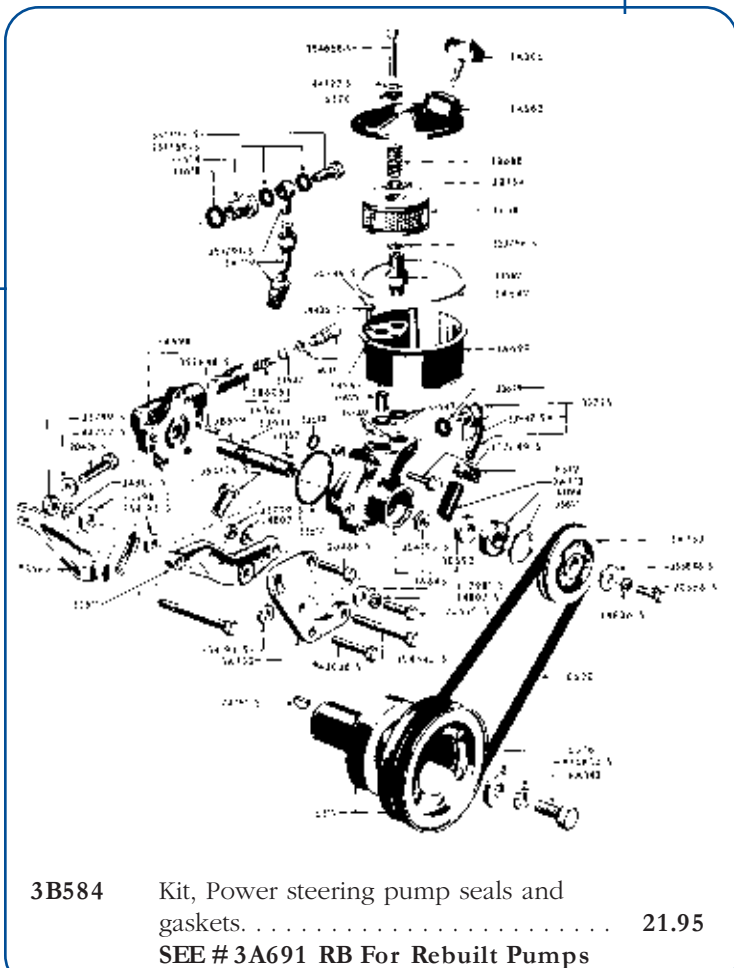


- 3A54ORB Cylinder, power steering 55-57 Remanufactured, with new shaft, bushings & seals included on exchange basis only . 275.00
- core charge 300.00
- (Note: Must be an original, no reproductions will be accepted as a core.)

Power Steering

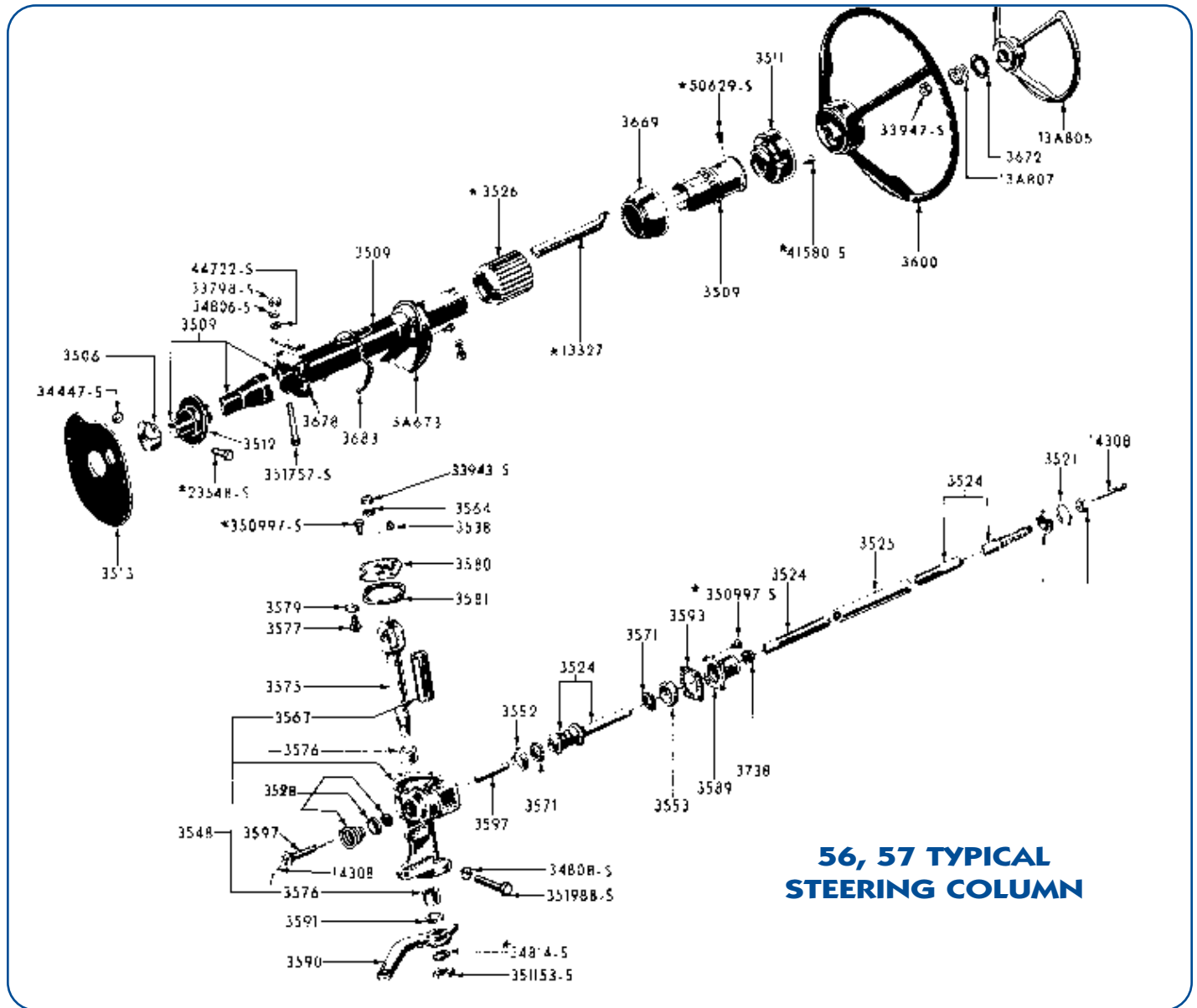


354126S	Bolt, power steering mount	14.95
3552	Cup, steering worm bearing, lower	12.95
3553	Cup, steering worm bearing, upper	22.95
3B559	Power steering pump shaft	49.95
3562R	Bracket, power steering pump support (to exhaust manifold)	49.95
3571	Bearing, worm gear	12.95
3576A	Bearing, steering sector shaft 55	11.95
3576B	Bearing, steering sector shaft 56-57	14.95
3577	Screw, sector shaft adjusting	Inquire
3581R	Gasket, steering sector housing or housing cover	1.95
3A582	Cover lid, P/S reservoir canister	23.95
3588K	Kit, power steering ram cylinder seal and mount. . Contains 1 each: 3C589, 3C590, 3A764, 55-56	25.95
	57	29.95
3C589R	Kit, power steering cylinder and mounting bushing, eye end	3.25
3C590	Kit, power steering piston rod end bushing 55-56	13.95
	57	13.95



Toll Free U.S. & Canada (800) 423-4751 or (562) 944-6237 • FAX (562) 941-8677

Steering



56, 57 TYPICAL STEERING COLUMN

3591	Seal, sector. Specify 2 or 3 tooth	8.95
3593A	Gasket, shim, .002" thickness95
3593C	Gasket, shim, .010" thickness95

3597	Plate and tube ass'y, steering gear housing end.	12.95
------	--	-------

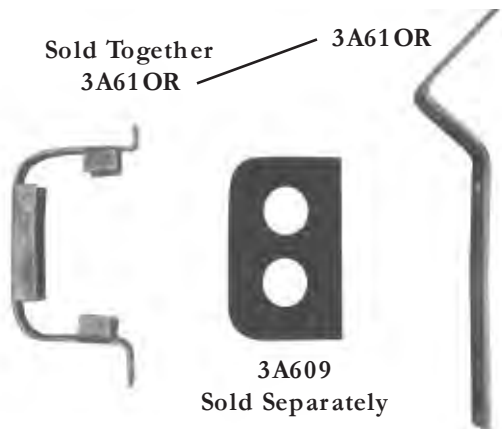
NEW Steering Column Chrome

3511A	Steering column hub, 55	45.95
3511B	Steering column hub, 56/57	45.95
3526A	Steering column adjusting sleeve, 55 . .	58.95
3526B	Steering column adjusting sleeve, 56/57	58.95
3669A	Steering column collar, 55	45.95
3669A	Steering column collar, 56/57	45.95
3A673	Steering column horseshoe collar, 55-57	45.95

Steering Wheels

3600D	56-57 Black	348.00
3600E	56 Peacock	348.00
3600F	56 Red	348.00
3600I	57 Red	348.00
3600J	57 White	348.00
3600K	57 Blue	348.00
3600X	56-57 Primer	295.00
3600M	Smaller Steering Wheel, 15" w/horn ring..	389.00
138TB	Steering Wheel retaining nut, 1 pc	2.50

Power Steering, Pumps, Valves & Hoses



3A609	Insulator, power steering hose	6.95
3A61OR	Bracket and retainer, power steering hose (3A61OR, 3A611).	23.95
3635MSR	Trim ring standard steering cover 55. . .	22.95
3635PSR	Trim ring power steering cover 55 . . .	24.95
3A642R	Gasket, power steering reservoir lid . . .	2.95
3A650	Kit, power steering control valve seals	
3A650A	Early 55 (seals only).	19.95
3A650AR	55,56	34.95
3A650BR	57 (seals only)	9.95
3A651AR	Power steering control valve spool 55,56	59.95
3A651BR	Power steering control valve spool 57. .	54.95
3672R	Gasket, horn ring button, 56.	1.50
3683W	Insulator, steering column, white, 55. . .	5.95
3683R	Insulator, steering column black, at dash.	5.95
143TB	Steering column trim to retainer, 4 pcs .	1.60

3A720PTK	Kit, all four hoses needed for power steering 55, 56	98.95
	57	93.95
3A713	Hose, power steering return line.	21.95
3A714	Hose, power steering control valve to cylinder 55-56 2 required	20.95
	57 2 required	17.95
3A719	Hose, power steering pressure line. . . .	
	55-57 with female fitting on top end. . .	38.95
	Late 57 with male fitting on top end. . .	38.95

3A728A	Shield, Ball Stud, Control Valve 55-56 . .	5.50
3A728B	Shield, Ball Stud, Control Valve 57	5.50



3A730RB	Valve ass'y rebuild, power steering hydraulic control, exchange only Specify year	210.00
	core charge	300.00
3A732R	Bracket, power steering pump adjusting	19.95

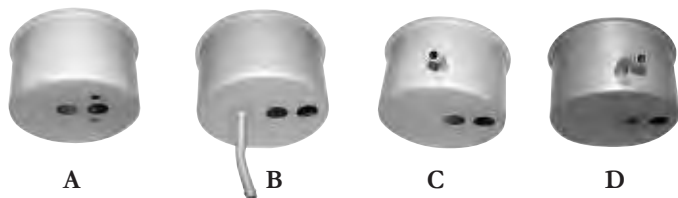
3A733	Pulley, power steering pump	49.95
--------------	--	--------------



3738	Seal, steering shaft	7.95
3A754A	Socket, power steering control valve ball, 55-56	44.95
3A754B	57	21.95
3A764	Kit, ram cylinder seal 55 early with outside tube.	19.95
	55,56	15.40
	57	18.85

REBUILT POWERSTEERING PUMP

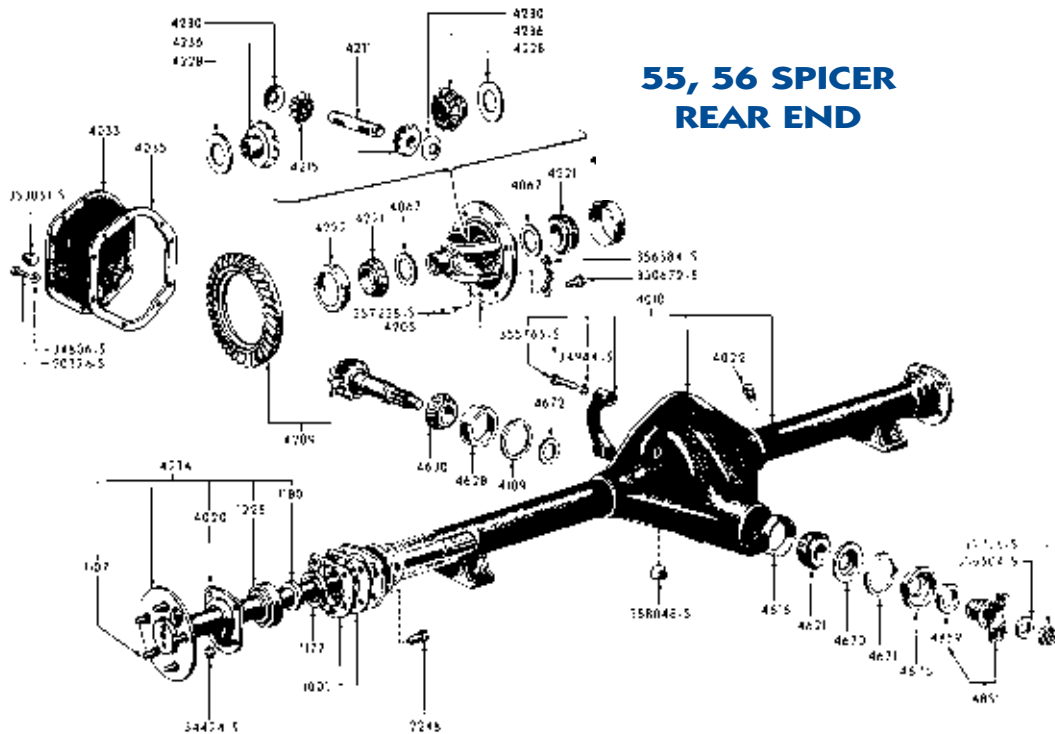
3A691RB	Pump, reservoir ass'y power steering rebuilt exchange only. w/o reservoir	185.00
	core charge	250.00



3A699	P/S pump reservoir, indicate type ABCD	34.95
3A705	Aluminum cap for control valve end. . .	16.95

Rear End

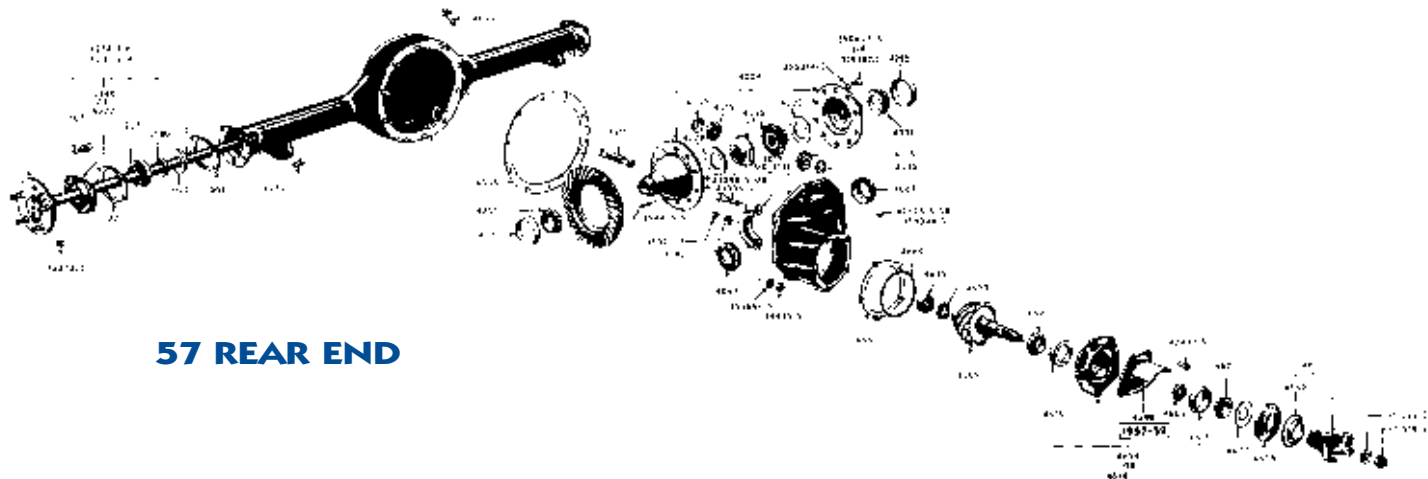
55, 56 SPICER REAR END



**THE PERFECT
GIFT IDEA**

*Prestige
Thunderbird
Gift Certificates*

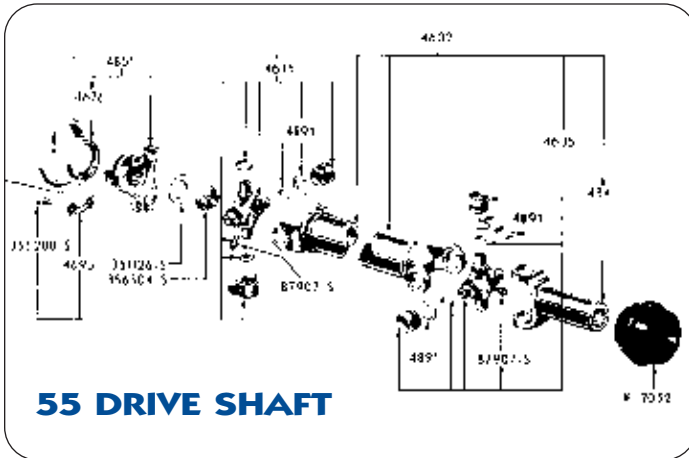
NOW AVAILABLE



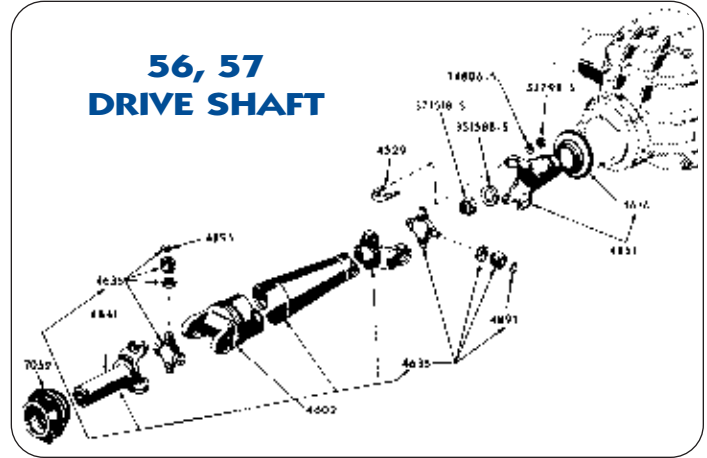
57 REAR END

4035	Gasket, rear axle cover or carrier	4.95	4621	Driving pinion bearing 55,56	26.95
501TB	Rear axle housing cover 55/56, 20 pcs	4.40	57	24.95
4221/2	Bearing & race differential carrier 55, 56	48.95	4625	Bearing ass'y, driving pinion pilot 57	49.95
4221/2	Bearing & race differential carrier 57.	22.95	4628	Cup, driving pinion bearing, rear	
4529	U-Bolt rear u-joint	13.95	55,56	14.95	
4616	Cup, driving pinion bearing 55,56.	11.50	4630	Bearing, Pinion inner 55, 56	34.95
	57	8.60			

Drive Shaft



55 DRIVE SHAFT



56, 57 DRIVE SHAFT

4635	Kit, universal joint, front or rear	
	Front 55	18.95
	Rear 55	29.95
	Front or rear 56-57	15.95
502TB	Universal joint U bolt-nuts & lock washers, 8 pcs 56, 57	1.30
4662	Spacer, driving pinion bearing	8.50
4669	O-Ring, driving pinion bearing retainer.	3.95
4670	Slinger, driving pinion shaft oil 55-56	5.50
4676	Seal, pinion 55-56.	14.95
	57	24.95

BODY TO FRAME MOUNTING

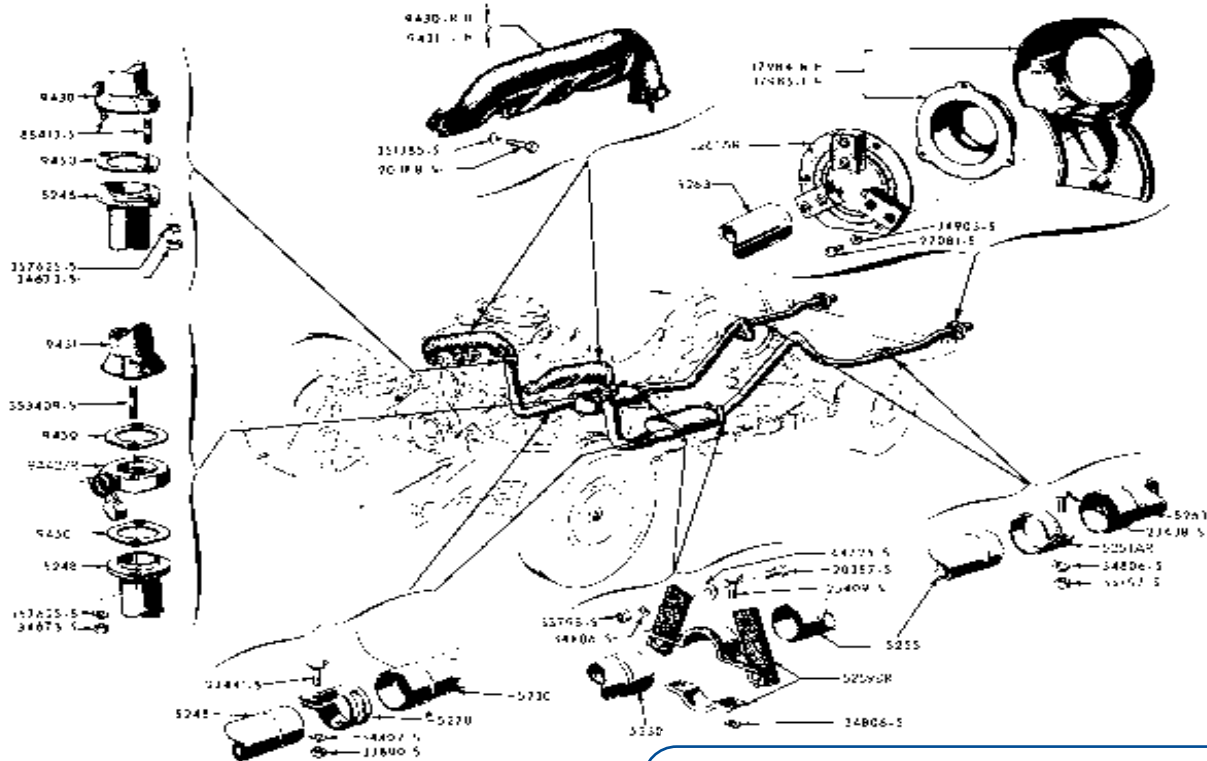
5006R	Clip, to attach 5007R pad to frame	1.25
5007R	Pad, body to frame mounting, rubber, ea	2.50
5008-K	Frame insulators & clips for entire frame	21.95

Install Tools



RIV-1	The correct tool to use when installing glass runs	15.95	TEMP-1	Needed to remove your temp sensor adapter 55/56.	15.95
HUB-1	Used to install grease dust caps	11.95	TEMP-2	Needed to remove your temp sensor adapter 57	15.95
ANT-1	Safely install and remove chrome nut from antenna assembly.	10.95	A10	Use to easily remove your dash bezels	6.95
22601-T	Used to safely remove your door handles	9.95	BJT-1	Lower ball joint removal tool	15.00
			HEAT-1	Choke tube removal tool 56/57	10.95

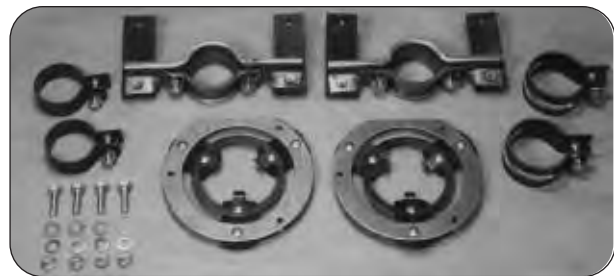
55 Exhaust System



Complete Exhaust Pipes w/mufflers

Kit, *Aluminized*, Steel exhaust header pipes, mufflers, and 2 piece tailpipes 449.00

For hanger and clamp kit see kit # 5265RK55



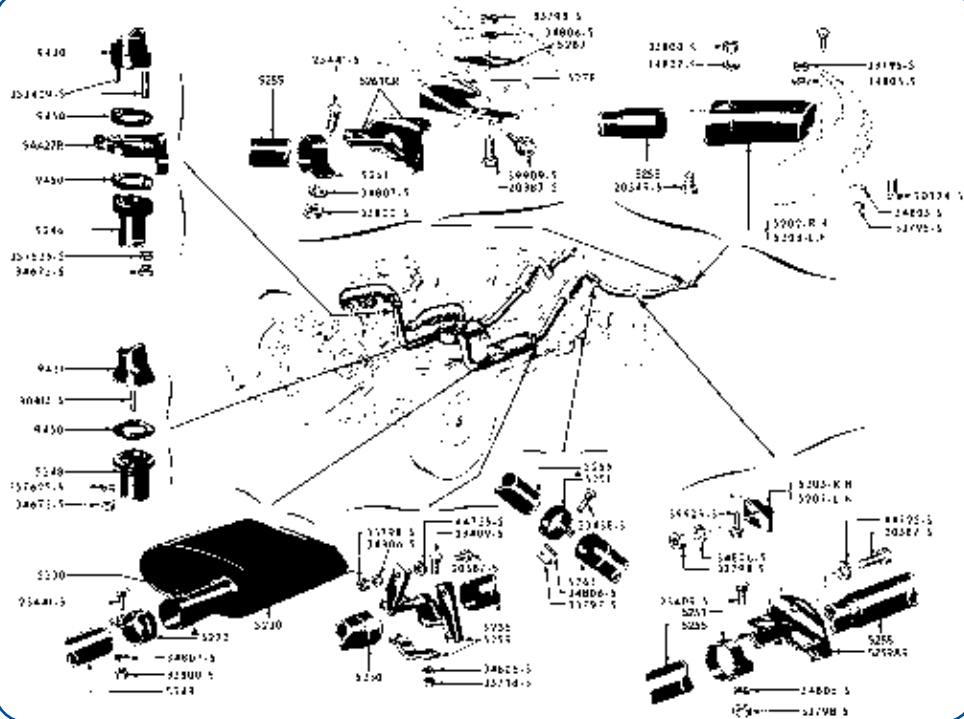
5265RK55 Tail pipe and muffler hanger and clamp kit for the 55 includes 2 of 5270R, 2 of 5259BR, 2 of 5251AR, 2 of 5261AR, and all attaching hardware 98.95

5230	Muffler, Aluminized	74.95
5A231	Clamp, exhaust, universal 1 3/4" or 2"	2.95
5246	Pipe, muffler inlet, RH (Aluminized)	54.95
5248	Pipe, muffler inlet, LH (Aluminized)	54.95
303TB	Bolt Kit Muffler inlet pipes to exhaust manifolds, 12 pcs	12.50
5251AR	Clamp, tail pipe intermediate, 55, 56 and rear 56	7.95
5255	Pipe, muffler outlet to bumper, without resonator, state year and side. They are two piece tail pipes.(Aluminized)	
	RH 55	95.95
	LH 55	95.95
5259BR	Hanger and clamp ass'y, muffler outlet 55-57	18.95
5259CR	Turn down tip, flared at one end to slip over 1 3/4" round pipe to exit below the car. This will help prolong the life of the chrome on your bumper	12.95
5261AR	Hanger ass'y rear of tail pipe, 55	15.95
5263R	Exhaust tip, false-use with tail pipe turn down (5259CR) 55 only	16.95

5270R	Clamp, front header pipe	8.95
9A427R	Valve, heat riser with stainless rod and flapper.	84.95
9A427DR	Valve, heat riser with stainless rod but no flapper	84.95
9A427R	Spacer, replaces heat riser	24.95
9430R	RH Exhaust Manifold	260.00
9431R	LH Exhaust Manifold	260.00
9448	Exhaust manifold gaskets, includes 3 of 9450	19.95
9450	Gasket, exhaust manifold to muffler inlet pipe	2.95

Toll Free U.S. & Canada (800) 423-4751 or (562) 944-6237 • FAX (562) 941-8677

56 Exhaust System



COMPLETE EXHAUST W/MUFFLERS

Kit, *Aluminized Steel* exhaust header pipes, mufflers, & 2 piece tailpipes **469.00**
 For hanger and clamp kit see kit # 5265RK56

- 5259CR Turn down tip, flared at one end to slip over 1 3/4" round pipe to exit below the car. This helps prolong the life of the chrome on your bumper. **12.95**
- 5261CR Hanger ass'y rear of tail pipe, 56 **10.95**
- 5270R Clamp, muffler inlet pipe **8.95**
- 5278R Bracket, tail pipe to frame RH 56 **11.20**
- 5279R Bracket, tail pipe to frame LH 56 **11.20**
- 5287R Plate, tail pipe bracket insulator used with 5278R and 5279R . . . **3.50**

- 5202A Deflector, exhaust RH-56 **Inquire**
- 5203A Deflector exhaust LH 56 **Inquire**
- 260ATB Exhaust deflectors (5202-3) to bumper 56, 22 pcs **8.00**
- 5205R Bracket, tail pipe hanger to frame intermediate, RH 56, 57 **5.95**
- 5207R Bracket, tail pipe hanger to frame, intermediate, LH 56, 57 **5.95**
- 5230 Muffler. **74.95**
- 5A231 Clamp, exhaust, universal 1 3/4" or 2" . . . **2.95**
- 5246 Pipe, muffler inlet, RH (Aluminized) . . . **54.95**
- 5248 Pipe, muffler inlet, LH (Aluminized) . . . **54.95**
- 303TB Muffler inlet pipes to exhaust manifolds, 12 pcs **12.50**
- 5251AR Clamp, tail pipe intermediate, 55, 56 and rear 56 **7.95**
- 5255 Pipe, muffler outlet to bumper, without resonator, state year and side. They are two piece tail pipes.
 RH 56 **106.95**
 LH 56 **106.95**
- 5259AR Hanger, tail pipe, intermediate, LH or RH 56-57 **14.00**
- 5259BR Hanger and clamp ass'y, muffler outlet 56-57 **18.95**

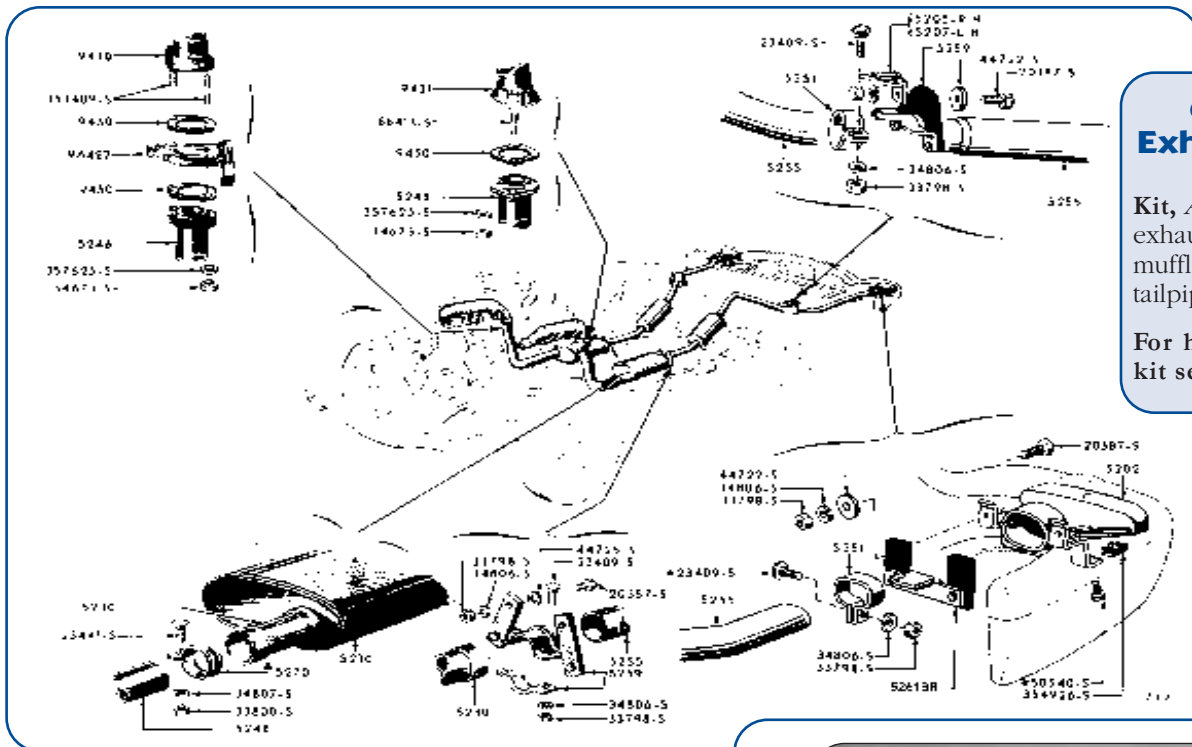


5265RK56 Tail pipe and muffler hanger & clamp kit includes: 2 of 5270R, 2 of 5259BR, 5205, 5207, 2 of 5259AR, 5278, 5279, 2 of 5261CR, 2 of 5287R, 4 of 5251AR, With hardware. **165.00**

- 9A427R Valve, heat riser with stainless rod and flapper **84.95**
- 9A427DR Valve, heat riser with stainless rod but no flapper **84.95**
- 9A427SR Spacer, replaces heat riser **24.95**
- 9430R RH Exhaust Manifold **260.00**
- 9431R LH Exhaust Manifold **260.00**
- 9448 Exhaust manifold gaskets, includes 3 of 9450 **19.95**
- 9450 Gasket, exhaust manifold to muffler inlet pipe **2.95**

Toll Free U.S. & Canada (800) 423-4751 or (562) 944-6237 • FAX (562) 941-8677

57 Exhaust System



Complete Exhaust system w/muffler
 Kit, *Aluminized* Steel exhaust header pipes, mufflers, and 2 piece tailpipes **495.00**

For hanger and clamp kit see kit # 5265RK57

5202B	Deflector, exhaust RH or LH 57 (Carbon Steel)	36.95
5202BS	Deflector, exhaust RH or LH 57 stainless	51.95
260BTB	Exhaust deflectors (5205) to bumper 57, 12 pcs	24.00
5205R	Bracket, tail pipe hanger to frame intermediate, RH 56, 57	5.95
5207R	Bracket, tail pipe hanger to frame, intermediate, LH 56, 57	5.95
5230	Muffler.	74.95
5A231	Clamp, exhaust, universal 1 3/4" or 2"	2.95
5246	Pipe, muffler inlet, RH (Aluminized)	54.95
5248	Pipe, muffler inlet, LH (Aluminized)	54.95
303TB	Muffler inlet pipes to exhaust manifolds, 12 pcs	12.50
5251BR	Clamp, tail pipe intermediate, 57	7.95
5251CR	Clamp, tail pipe intermediate, rear 57	6.50
5255	Pipe, muffler outlet to bumper, without resonator, state year and side. They are two piece tail pipes. RH 57	124.95
	LH 57	124.95
5259AR	Hanger, tail pipe, intermediate, LH or RH 56-57	14.00
5259BR	Hanger and clamp ass'y, muffler outlet 56-57	18.95
5259CR	Turn down tip, flared at one end to slip over 1 3/4" round pipe to exit below the car. This will help prolong the life of the chrome on your bumper.	12.95

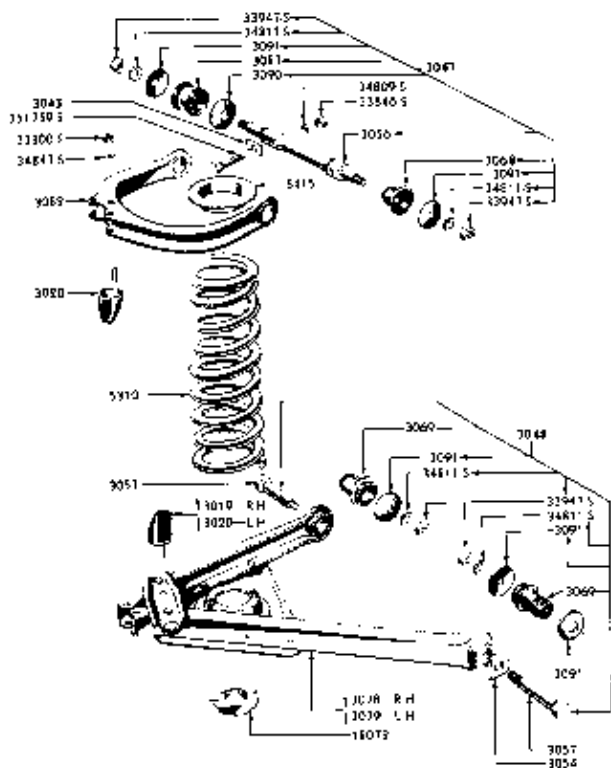


5265RK57 Tail pipe and muffler hanger and clamp kit for the 57 includes: 2 of 5270R, 2 of 5259BR, 5205R, 5207R, 2 of 5259AR, 2 of 5251BR, 5251CR, 5261BR, and all attaching hardware **149.00**

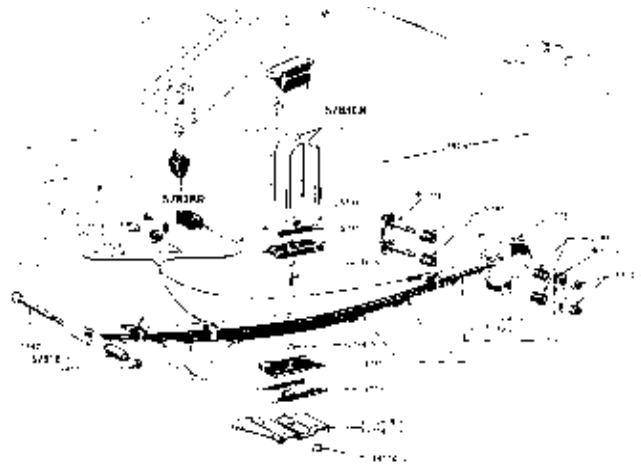
5261BR	Hanger ass'y rear of tail pipe, 57	16.00
5270R	Clamp front muffler 2"	8.95
9A427R	Valve, heat riser with stainless rod and flapper	84.95
9A427DR	Valve, heat riser with stainless rod but no flapper	84.95
9A427SR	Spacer, replaces heat riser	24.95
9430R	RH Exhaust Manifold	260.00
9431R	LH Exhaust Manifold	260.00
9448	Exhaust manifold gaskets, includes 3 of 9450.	19.95
9450	Gasket, exhaust manifold to muffler inlet pipe	2.95

Toll Free U.S. & Canada (800) 423-4751 or (562) 944-6237 • FAX (562) 941-8677

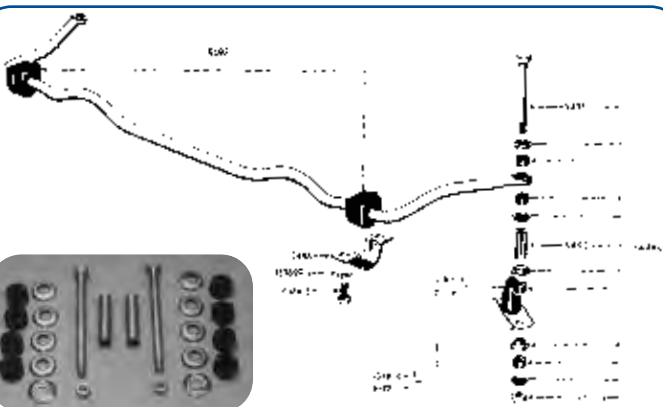
Front & Rear Suspension



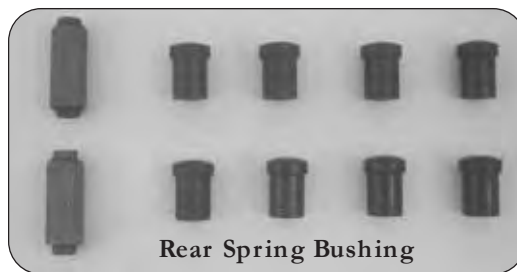
- 5310 Spring, front 55,56, 57 80.95
- 5355 Shim, front LH Hand only. 9.95
- 5415 Insulator, front spring 2 required 4.95



- 5560 Spring, rear, 5 leaf.
55-57 each (replacement styles) 369.00
55-57 each (original style). 369.00
- 5586 Anti-squeak rear spring, nylon 12 req 1.45
- 5586R Anti-squeak pad, like original 12 req Inquire
- 5630 Kit, rear spring shackle, 2 required
per car. 16.95
- 5705 "U" bolt rear spring 11.50
- 5724 Clamp, rear spring replacement 7.95
- 5724BK Clamp kit, 57 original style (set) 24.95
- 5736 Retainer, rear spring center mounting 9.00
- 5741 Insulator, rear spring center mounting. 4.95
- 5780 Stud kit, rear spring front hanger 9.95



- 5A486GR Grommet kit pt. sway bar 8 pcs. 8.95
- 5A486 Kit, stabilizer end repair (2 required) 14.95
- 5482A Front Sway Bar, 55-57 7/8"
Includes all installation hardware 210.00
- 5482A Rear Sway Bar, 55-57
Includes all installation hardware 210.00
- 5486 Retainer bracket, stabilizer bar 9.95
- 413TB Bolt Kit Stabilizer arm bracket (5486) to
frame, 12 pcs. 2.40
- 5493R Insulator, stabilizer bar, pair 11.50



- 5781A Bushing, rear spring, rear shackler bar
upper, 4 required per spring 1.95
- 5781B Bushing rear spring, front, 1 required
per spring 55 9.95
56-57 9.95

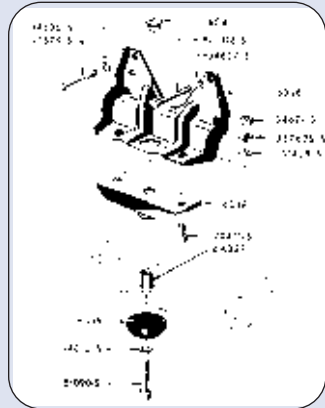


- 5783R Bumper, differential, 57 6.95
- 5783AR Bumper, rear axle 56-57 6.95
- 5783BR Bumper, rear spring 55-56 6.95
- 5783CR Bumper, rear axle, 55. 10.95

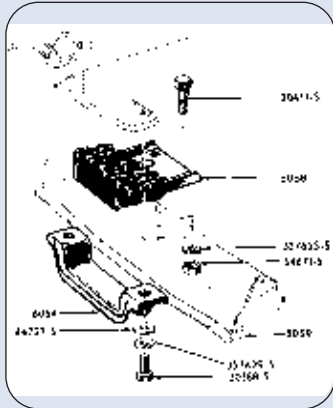
Engine & Trans Mounts, Gaskets & Seals

ENGINE GASKET KIT

6008K Complete gasket kit, engine overhaul . . . 224.00
All gaskets and seals necessary to rebuild your engine



Front Mount



Trans Mount

- 6020 Engine front timing cover and seal kit. . . 25.95
- 6023R Pointer, engine timing 14.95
- 6026 Freeze plug - brass. 3.95
- 6A027 Spacer, front mount bolt. 4.95
- 6028 Bracket, engine front support (used). . . 95.00
- 6038 Insulator, engine front mount 29.95
- 6039 Insulator, engine support, lower 7.95
- 6041R Nut, engine front support bolt 7.95
- 21090-S Bolt, engine front support 3.95
- 6054 Transmission mount and support bracket 38.95
- 6068 Mount, rear transmission 55-56. 16.95
- 57 16.95
- 6070 Rear mount plate 57. 10.95

- 6051 Gasket, cylinder head, each 34.95
- 6065 Bolt, cylinder head 4 1/4". **Inquire**
- 6079 Gasket set-valve grind upper 139.95
- 6268 Timing chain with gears. 129.95



- 6312R Pulley, crankshaft damper 595.00
- 6312RB Rebuilt, (must do yours). 345.00
- 300TB Bolt Kit, Damper to crankshaft, 2 pcs . . 4.50
- 6312AR Sleeve, crankshaft pulley 16.95
- 6312PL Puller, tool to remove harmonic balancer from crank shaft. 69.95

THE ULTIMATE FIX FOR A REAR MAIN SEAL LEAK

We machine YOUR crank shaft seal area to a polished finish, and supply a neoprene seal with a new aluminum rear seal cap. Comes with complete installation instructions
This system has been proven by our restoration shop...IT WORKS!!!

Kits with new aluminum seal cap. **Inquire**



Eliminate unwanted oil leaks by starting with our new rear main seal and new seal retainer cap.

- 6335-A New 292 cap with neoprene seal 169.95
- 6335-B New 312 cap with rope style seal 174.95
- 6335-C New 312 cap with neoprene seal 269.95
- 6A321 Neoprene seal kit for rear main 292 . . . 29.95
- 6A321B Rope seal kit for rear main 292 or 312 . 29.95
- 6A321N Rear main seal kit neoprene 312. 89.95
- 6375A Flex plate, F/M. 61.95
- 6375B Reinforcement ring, 3 required 6.50
- 6379 Bolt, fly wheel to crank - F/M ea 4.95
- 6384 Gear, flywheel ring, S/T, O/D. 58.95



- 6436AR Seal, starter to flywheel, rubber like original 12.95
- 6436BR Seal, starter to flywheel housing (cork). 7.95

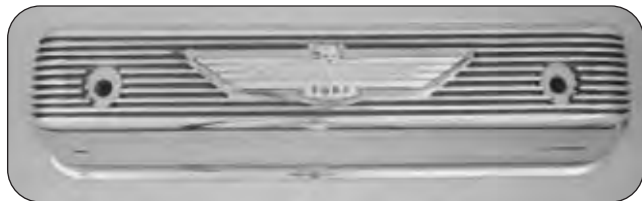
★★★★★★★★★★★★★★★★★★★★★★
WE ALSO HAVE ALL ENGINE PARTS TO REBUILD YOUR MOTOR...CALL FOR PRICES
★★★★★★★★★★★★★★★★★★★★★★

Valve Covers, Oil Pump

6519R Valley Pan, will work on "E" models, 312, 292..... 139.95



6A506 Gasket and Grommet set, valve covers . 19.95
6521 Gasket, valve push rod cover 10.95
6A527R Stud, rocker arm, long type used with aluminum valve covers. 3.95
6549 Screw rocker arm adjustment **Inquire**
6565 Push rod, valve 9.95
6570R Grommet, valve cover stud. 1.45
6570BR Grommet valve cover w/o washer90
6571 Seal-valve guide and stem90
6575 Bracket rocker arm tube. 3.25



6582 Aluminum valve cover, each. 320.00
320TB Hardware Kit Aluminum rocker arm covers to heads - includes chrome washers, acorn nuts & long studs, 12 pcs 28.95



6582A Chrome acorn nut 2.50

6582BR Chrome washer, used with aluminum valve cover acorn nut, high quality finish95

V.C. Paint Valve cover green paint. 6.95

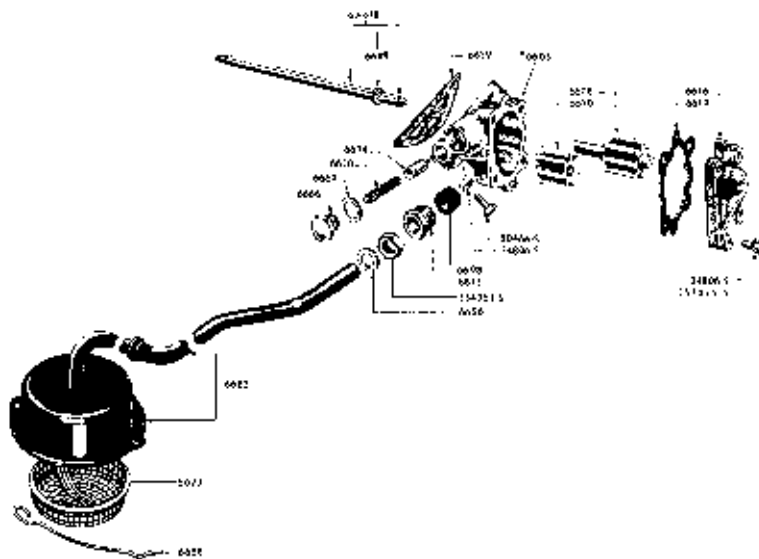


COMPLETE VALVE COVER KIT



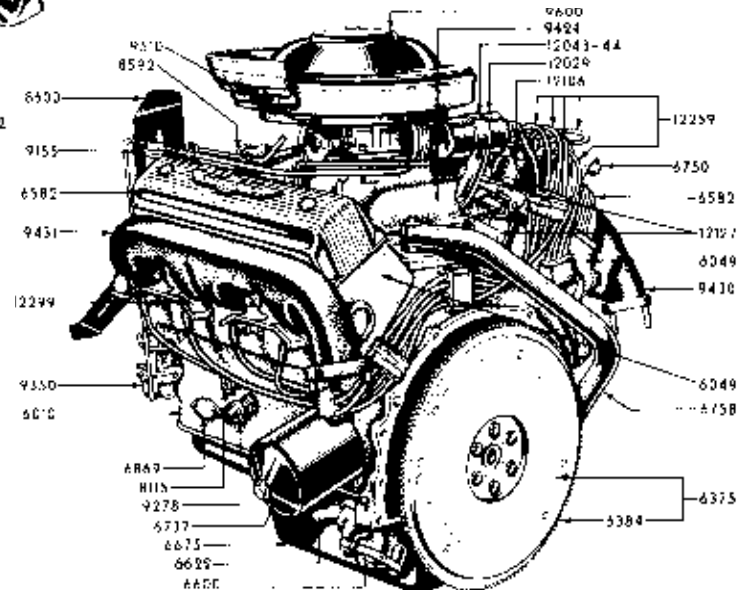
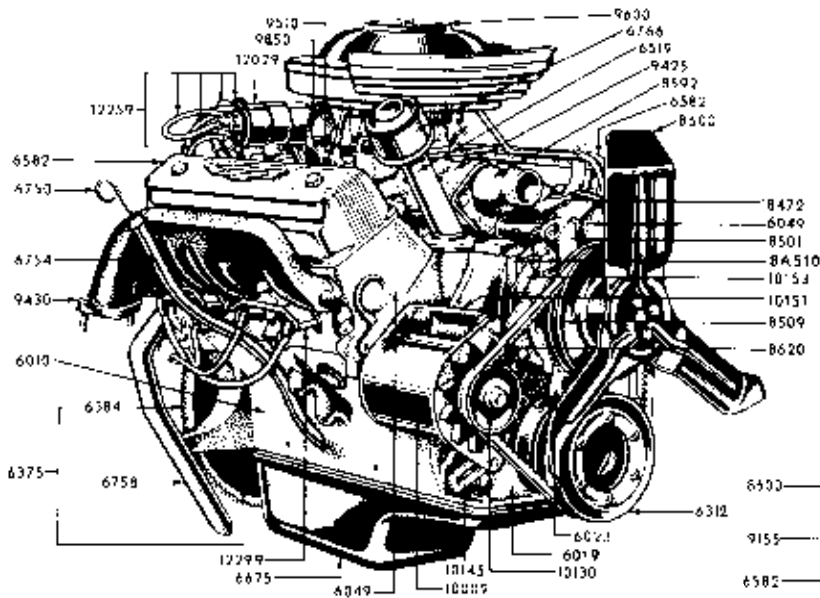
6582 Kit Valve covers, gaskets and attaching hardware 639.00

6588 Tube, rocker shaft oil outlet 11.95



6600 Pump ass'y, engine oil (melling). 159.95
6A618 Shaft, oil pump intermediate. 17.95
6619 Gasket, oil pump cover plate (rotor type) 3.95
6659 Oil pump to block gasket. 3.95
6673 Nut, oil pump tube to pump 14.95
6698 Gasket, seal pan to oil pump 6.95

Oil Filters & Dipsticks



- 6710 Gasket, engine oil pan 12.95
- 305ATB Bolt Kit Oil pan to block 55/56, 46 pcs. 6.90

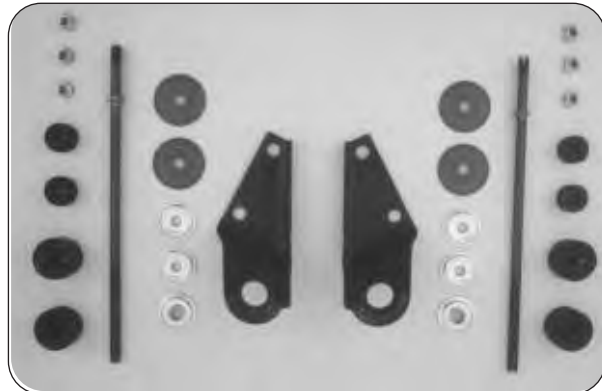
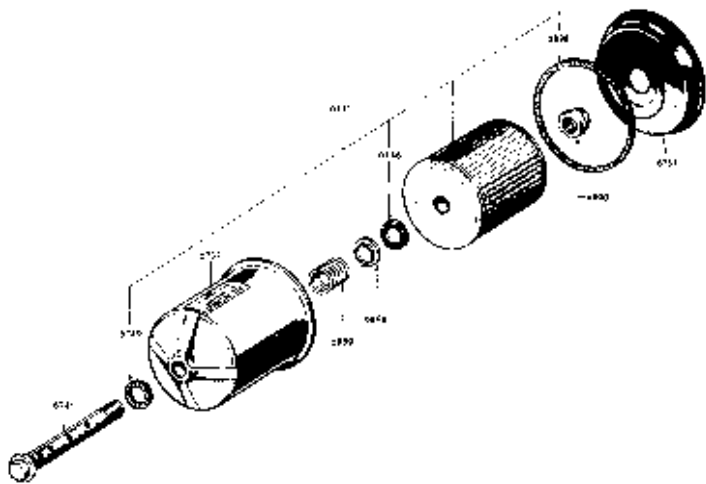
- 6737 Cover, oil filter can type Inquire
- 6749 Gasket, oil filter cover bolt 1.50
- 6750R Indicator, oil level dipstick, exact reproduction 23.95
- 6754 Tube, oil level indicator 28.95
- 6758AR PCV smog device adapter kit 55/56 58.95
- 6758BR PCV smog device adapter kit 57 66.95
- 6758R Road draft tube, like original 49.95
- 6838 Gasket-oil filter mounting 3.95
- 6869 Plate on block 7.95
- 6870 Gasket, crankcase ventilation tube 1.80
- 6882 Kit, adapter to convert can type oil filter to spin on type 28.95
- 6882B Kit, oil filter adapter, machined out of billet aluminum will not bend or distort. Mounting nut included 99.95
- 6889 Spring, oil filter element retaining 5.60



- 6730 Plug, oil pan 10.95
- 6731 Element, oil filter, 55, 56 (canister type) 11.95
- 57 spin-on 7.95
- 6734 Gasket, oil pan plug 1.95



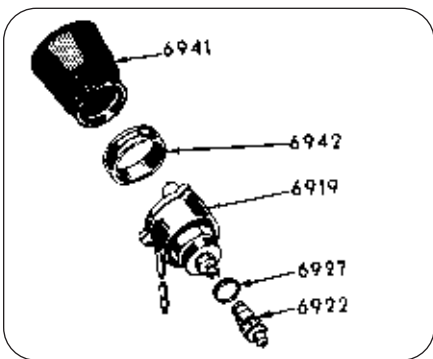
Oil Caps & Engine Steady Rests



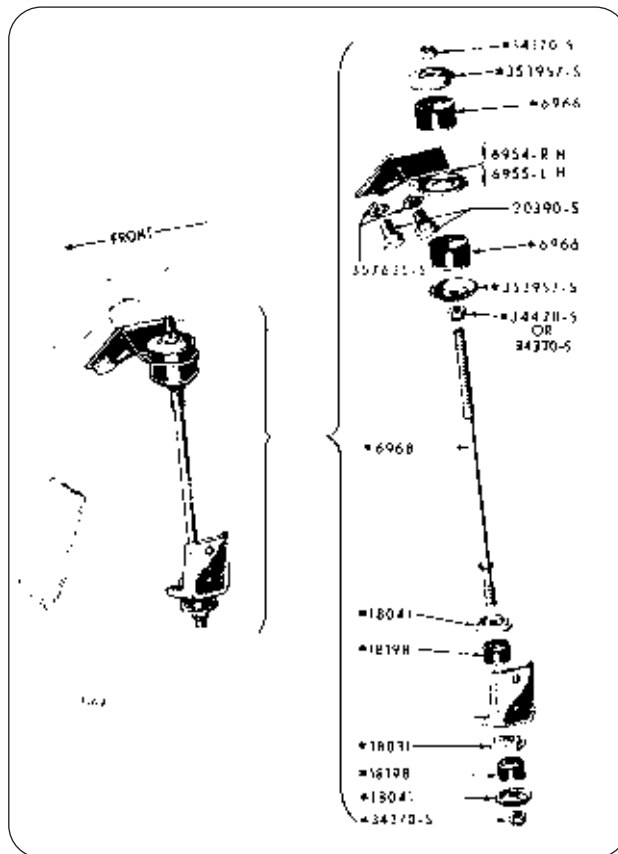
- | | | |
|-------|--|-------|
| 6954 | Bracket, engine steady rest mounting RH | 15.50 |
| 6955 | Bracket, engine steady rest mounting LH | 15.50 |
| 308TB | Bolt Kit Engine steady rest brackets to block, 8 pcs | 2.70 |
| 6960 | Kit, steady rest, one side only. | 21.95 |
| 6960B | Washer kit, steady rest one side | 6.95 |
| 6966 | Kit, steady rest grommet, 8 pieces for both sides | 9.95 |



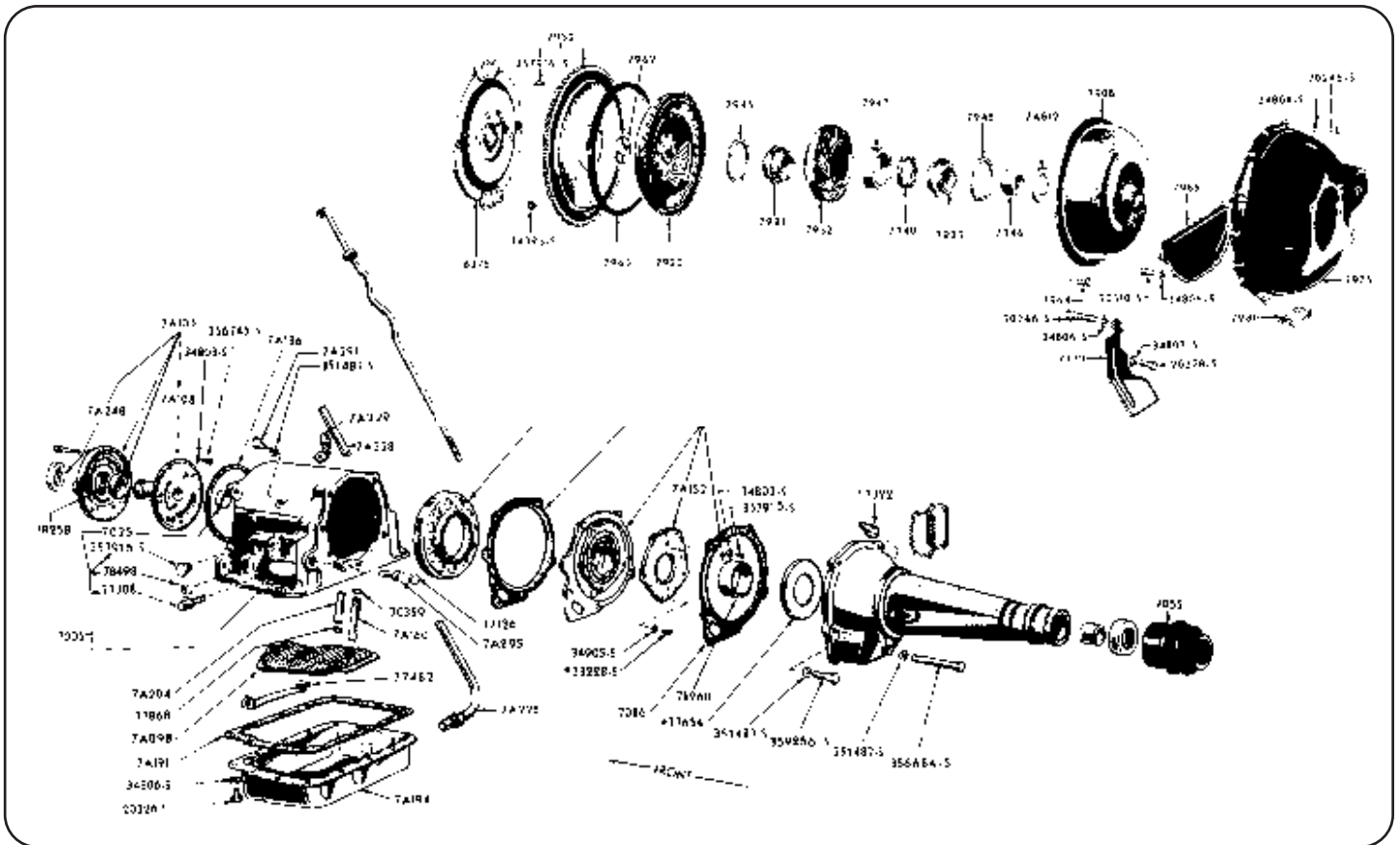
- | | | |
|--------|--|-------|
| 6766R | Cap breather, chrome | 31.50 |
| 6766AR | Cap, breather, painted black | 26.95 |



- | | | |
|-------|---------------------------------------|------|
| 6941R | Cover, O/D governor, rubber | 6.95 |
|-------|---------------------------------------|------|



Automatic Transmission

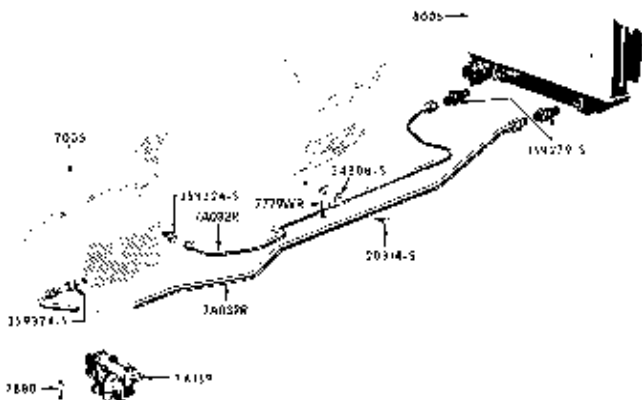


- 7000Y Auto trans gasket & overhaul kit. 159.95
- 7001R Trans gasket seal kit (less 7052, 7A248). 49.95
- 7A020 Dipstick, F/M oil level, exact reproduction 26.95
- 7025 Trans bearing, state year & trans. **Inquire**

- 7107 Synchro-ring, 2 required, each 28.95



- 7A110R Chrome shift pointer 134.95
- 7A110AR Screw-F/M shifter pointer50
- 7A133RK Bushing and washer kit F/M shifter . . . 9.95
- 7153A Gasket set standard trans 55, O.D. 56-7. 29.95



- 7A032R Transmission cooler lines (pair) 51.95
- 7A034 Bushing, transmission rear extension . . 25.95
- 7052 Oil seal, transmission rear F/M, S/T type 14.95
- 7065 Trans bearing, state year trans 46.95
- 7A098 Screen and gasket F/M oil pan 34.95

- 7A185A Bell Crank 55. 89.95
- 7A185 Bell crank 57 **Inquire**
- 7A185E Bell crank 57 "E model" 150.00

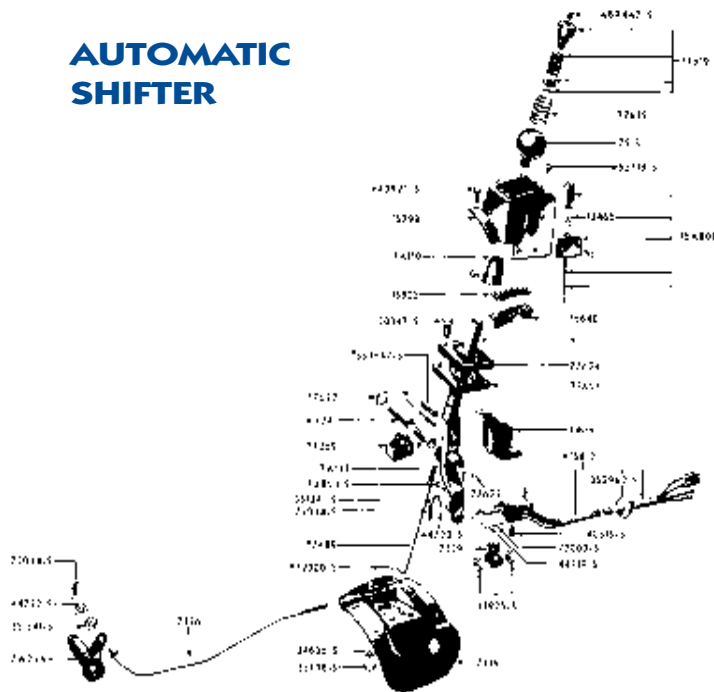
Toll Free U.S. & Canada (800) 423-4751 or (562) 944-6237 • FAX (562) 941-8677

Shifter & Shift Linkage

7A187AR	Rod kickdown auto trans air cooled	
55	69.95
7A187BR	Rod kickdown auto trans water cooled	
56-57	74.95
7A191	Gasket F/M oil pan	10.95
504TB	Bolt Kit Fordomatic pan to case, 28 pcs	5.80

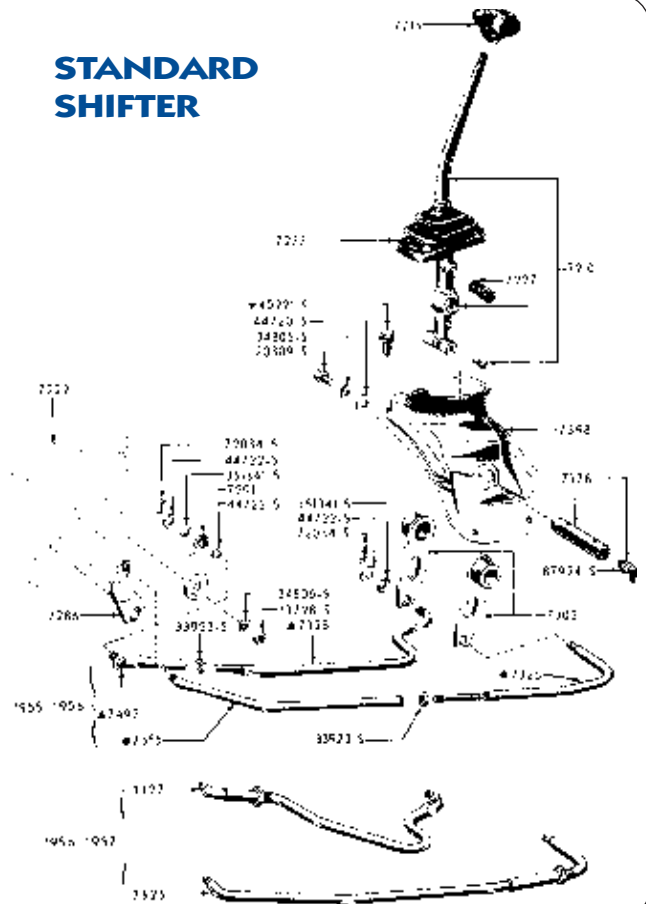
7A229R	Bracket, trans oil filler pipe	6.95
7241	Pivot pin, FM shifter	8.95
7A247	Switch, F/M Transmission neutral	117.00
7A247A	Switch, made to start in park as well	117.00
7A248	Seal, F/M transmission front pump shaft	18.95
7A256R	Trans selector arm, end convert passenger car selectors to T-Bird,	35.00
7B258A	F/M pump bushing	12.95
7B258B	F/M pump bushing	13.95
7269R	Level pawl, FM shifter	22.95

AUTOMATIC SHIFTER



Convert yours or a new neutral safety switch to start in park and neutral 100.00

STANDARD SHIFTER



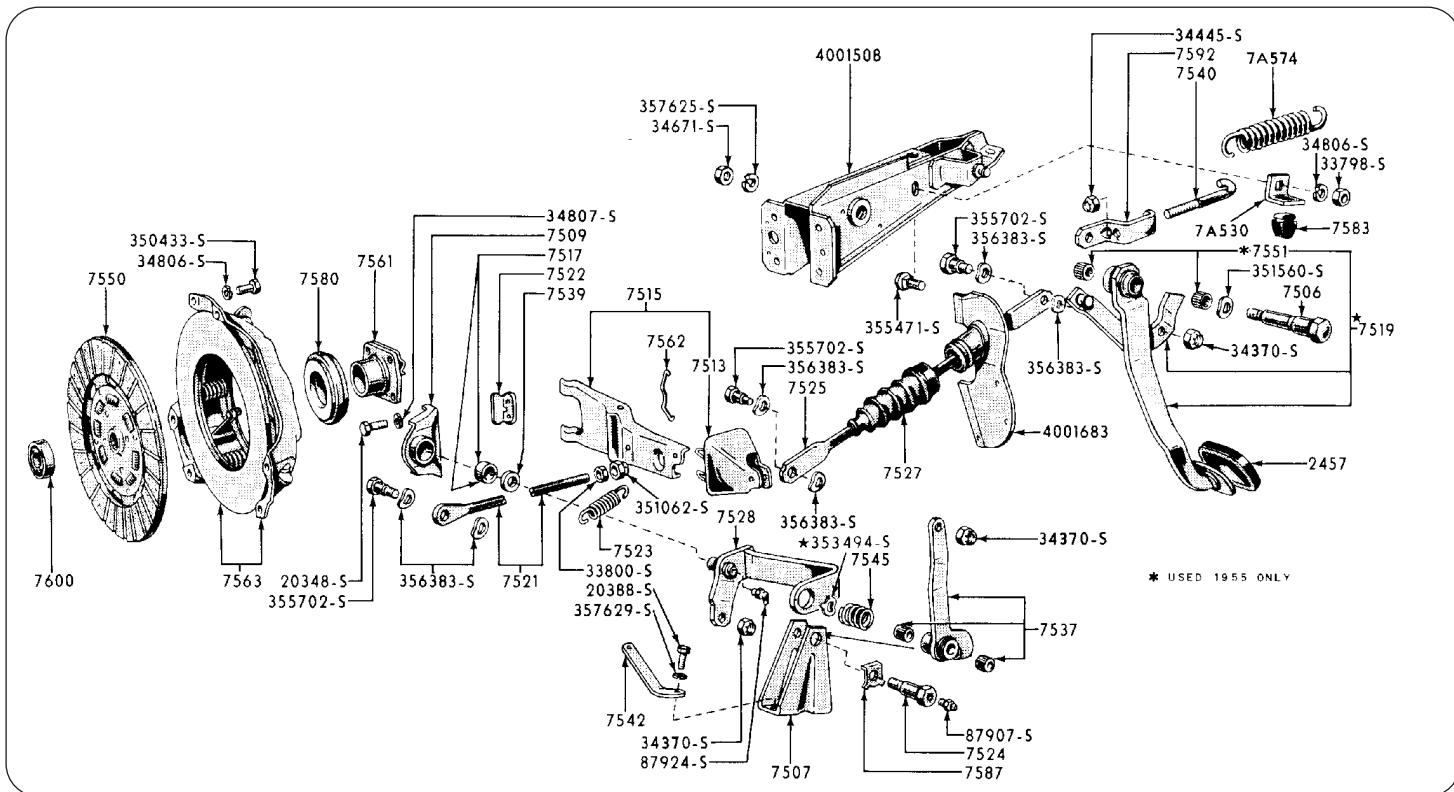
7277	Boot, transmission gear lever, S/T & O/D	19.95
7283	Seal, trans input shaft, S/T & O/D.	10.95
7286R	Shift lever standard transmission	34.95
7291R	Shift lever standard transmission	34.95
7325	Rod S/T & O/D, 2nd and 3rd	119.95
7326R	Shift rod, F/M for adjuster see p/n 7339	59.95
7327	Rod, S/T & O/D. low and reverse.	99.95
7339	Adjusting sleeve for 7326 shift rod	16.95
7489R	Release rod - Fordomatic shifter	6.95
7B498S	Oil seal, manual control level from F/M trans.	8.95
7B498	Seal, shift level (O-Ring).	1.95



7213	Knob, gear shift, S/T & O/D.	13.50
7213FM	Shift knob, less button F/M.	29.95
77619	Shifter button F/M	21.95
77619AR	Spring, for chrome shifter button	2.10
77635R	Spring, for black shift knob F/M	3.95

7A215	Bracket, O.D. cable to dash	9.95
7223	Gasket, gear shift housing	4.95
7A228R	Trans dipstick tube w/bracket.	24.95

Clutch Assy & Radiators



7513R	Clutch level dust boot	24.95
7517	Bushing, clutch release equalizer shaft 2 required each	4.95
7523	Spring, park brake equalizer lever	4.25
7525	Rod, clutch pedal to idler lever.	Inquire
7527	Seal, clutch pedal rod.	15.95
7542	Bracket, clutch return spring.	10.95
7550RB	Disc ass'y clutch 11" rebuilt	85.00
7562	Spring, clutch release lever anti-rattle	5.95
7563	Clutch, pressure plate, rebuilt (exchange)	169.95
7A574A	Spring, clutch pedal assist.	7.95
7580	Bearing, clutch release with hub.	36.95
7583	Bumper, clutch & brake pedal	2.95
7600	Bearing, clutch pilot	12.95
7A650	Overdrive cable with chrome knob.	59.95
7A651	Relay, trans. overdrive, 12V	Inquire
7A652	Switch, Overdrive accelerator kickdown	38.95
7693	Overdrive solenoid seal 55-57.	7.40
7779WR	Bracket, Transmission cooler line	8.95
7916A	"O" Ring torque converter hub (air cooled)	11.95
7950R	Converter ring gear only.	72.95
7963R	Converter "O" ring seal.	18.95
7979AR	Shield, air cooled auto trans	16.95
7979BR	Shield water cooled auto trans	22.95
7980R	Inspection plate, lower bell housing	29.95
7985	Torque Converter Shield	19.95



8005HD	Heavy duty radiator 4-row core complete w/or w/o cooler lines	439.00
8005HE	High Efficiency Radiator	529.00
8005HD	Optima 4-row heavy duty radiator	589.00
8005SHD	Super heavy duty all aluminum radiator	389.00
8005AR	Tube, Radiator overflow	23.95
324ATB	Upper fan shroud to radiator, 8 pcs	3.90
324BTB	Upper fan shroud to lower & lower to bracket, 10 pcs.	4.40
324CTB	Radiator to radiator frame, 4 pcs.	2.90

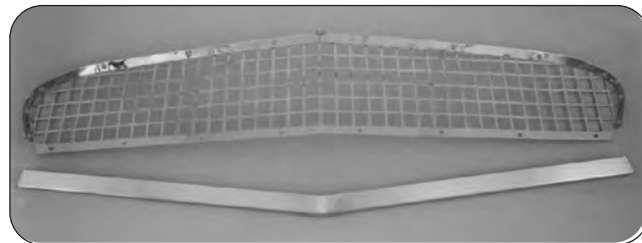
Toll Free U.S. & Canada (800) 423-4751 or (562) 944-6237 • FAX (562) 941-8677

Fan Shrouds & Grills

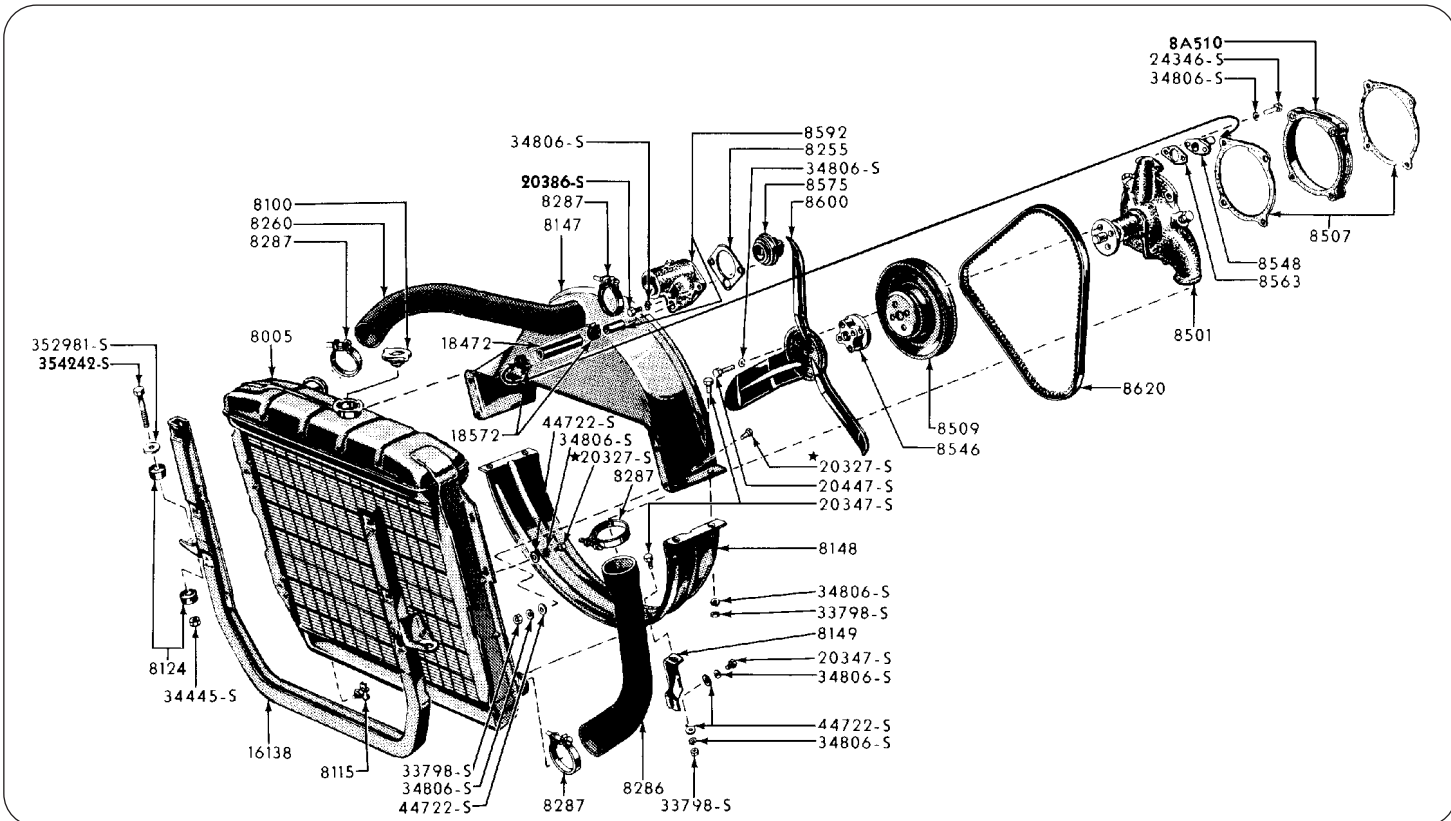


- 8100A Cap, radiator (replacement) 13.95
- 8100B Cap, radiator, exact reproduction 29.95
- 8115 Petcock, drain, radiator & engine 4.95
- 8124 Pad, radiator support, each. 3.90
- 8147AR Seal, upper fan shroud to radiator 3.95
- 8147 Upper fan shroud, 55-57. 105.95
- 8148 Lower fan shroud, 55-57. 79.95
- 8148R Lower shroud for extra cooling made of ABS plastic. 79.95
- 8149R Bracket, lower fan shroud to radiator 10.95
- 8149AR Bracket, solders to lower radiator tank to connect 8149R 10.95

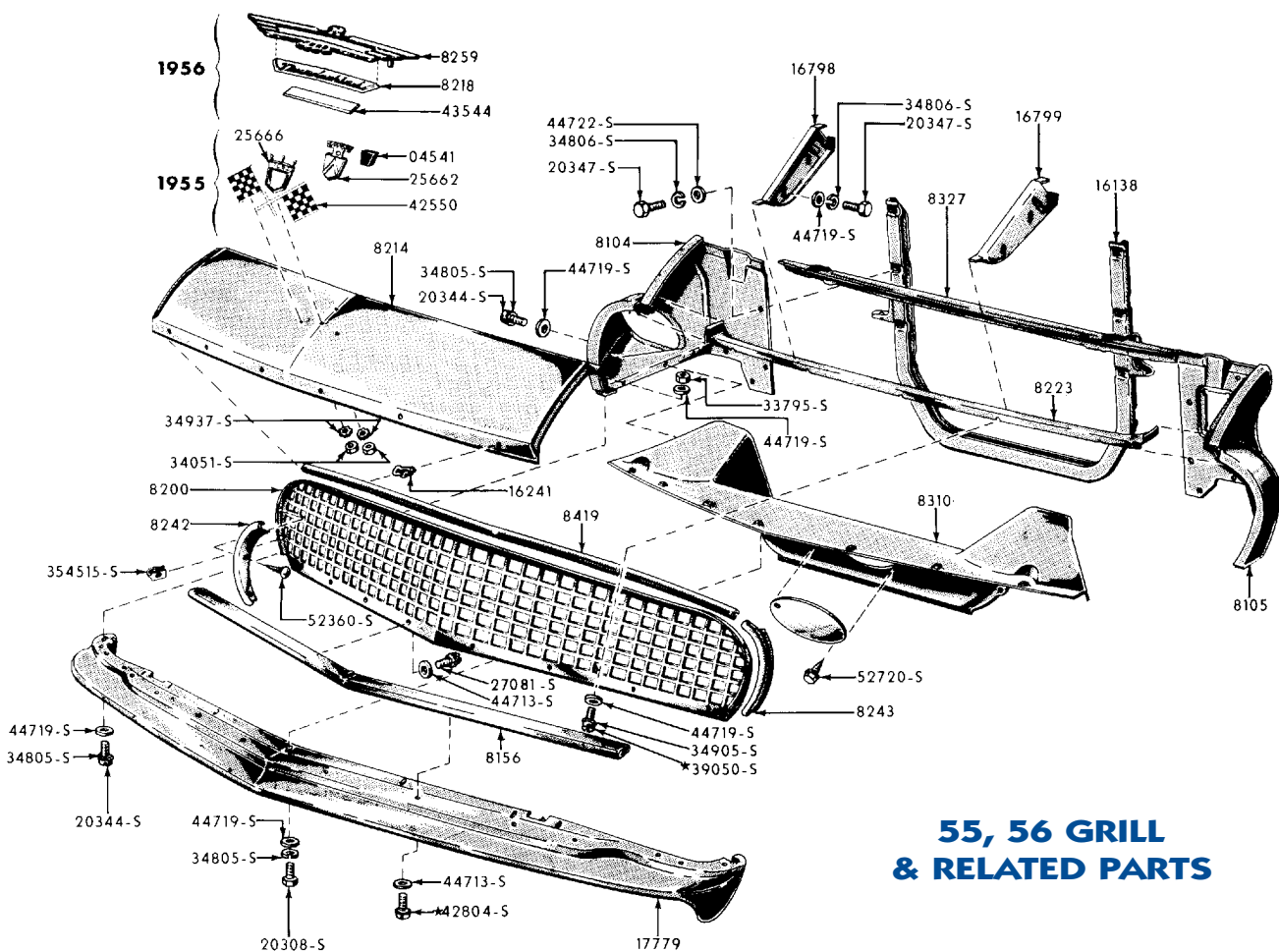
- 8104 Deflector steel RH 295.00
- 8105 Deflector steel LH 295.00
- 8104FR Deflector fiberglass RH. 139.00
- 8105FR Deflector, fiberglass LH. 139.00



- 8156 Molding, radiator grill, lower 55-56, 99.95
- 8200 Grill radiator 55,56 369.95
- 57 369.95
- 200ATB Grill to body and lower molding lower molding to front deflector-front deflector to rear deflector, side deflectors & fenders
- 55/56, 103 pcs 16.95
- 200BTB Grill to body and front deflector, front deflector to ends and rear deflector, rear deflector to side deflectors, ends to side deflector and fenders, 57, 101 pcs 18.95



Grill, Radiator Hoses & Front Emblems



55, 56 GRILL & RELATED PARTS

- 8214R Panel, radiator grill, upper 425.00
- 8223 Panel-upper grill reinforcement. 149.95

- 8242 Molding, radiator grill RH 55-56 42.95
- 57 56.00
- 8243 Molding, radiator grill LH 55-56 42.95
- 57 56.00
- 201TB Side grill mouldings to body, 6 pcs. 2.90

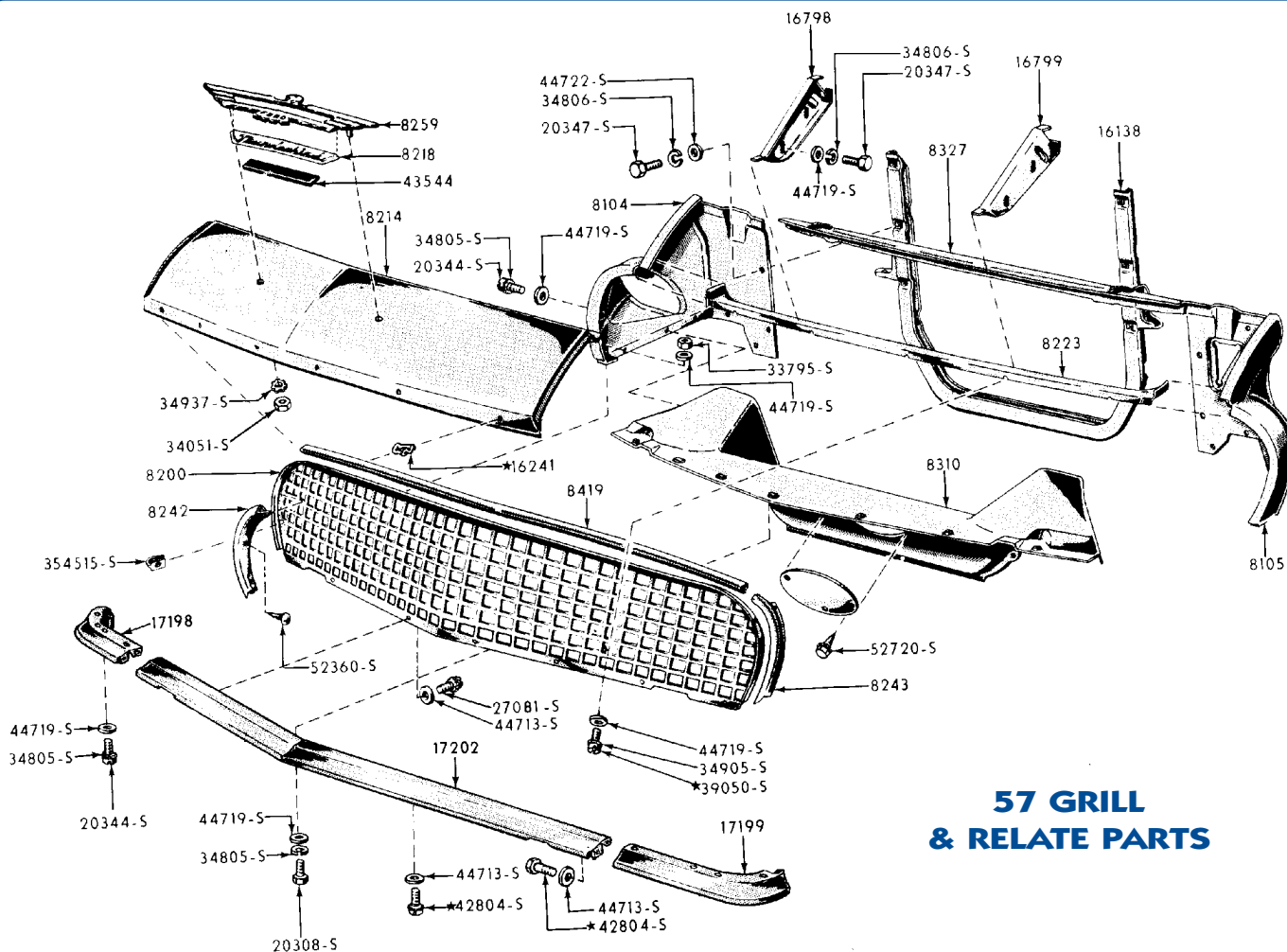


- 8218 Name plate, upper panel 56, 57 18.50
- 8259 Ornament, radiator grill upper panel 56-57 33.50



- 8260 Hose, radiator upper molded type 22.50
- 8286R Hose, radiator lower like original 22.50
- 8287R Clamp set, radiator hose, original type 4 pieces 10.95

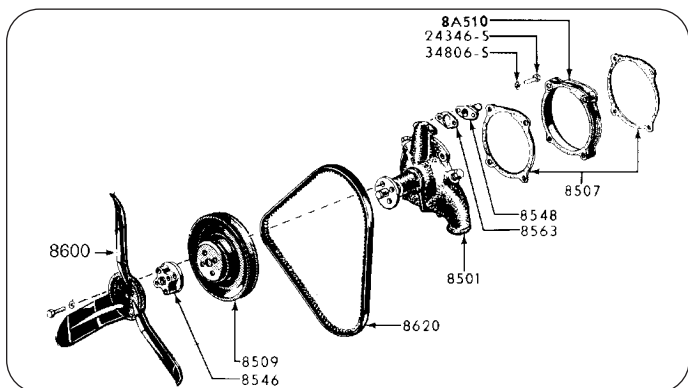
Grill Upper Molding & Water Pumps



57 GRILL & RELATE PARTS

- 8310AR Deflector-lower center, fiberglass 55-56. **Inquire**
- 8310BR Deflector-lower center, fiberglass 57. **Inquire**
- 8311R Inspection plate, lower deflector. **8.95**
- 8419 Molding, grill upper 55-56 **59.95**
- 57 **99.95**
- 202ATB Upper grill mouldings to body 55/56, . . . **9.95**
- 202BTB Upper grill mouldings to body 57, **10.95**

- 8501 Pump, water, new no exchange needed **99.95**
- 8501RB Pump, water, rebuilt, exchange only . . . **Inquire**
- core charge **25.00**
- 8507 Gasket, water pump **1.75**
- 8509 Pulley, water pump **119.95**
- 8509SP Pulley, machined smaller for extra cooling **99.95**
- 8A510R Spacer, water pump extension **52.95**
- 8546 Spacer, pulley to fan 1.18" (used) **5.00**



GIFT GIVING MADE EASY!

Prestige THUNDERBIRD

Date _____
\$ _____

Gift Certificate

Upon presentation of this Gift Certificate, may select a gift of the value of _____ Dollars

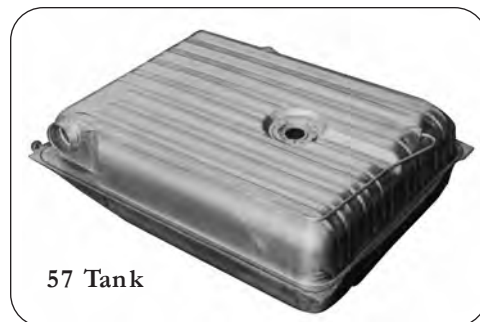
Presented by _____
Signature

Thermostats, Fans, Gas Tanks & Fuel Caps

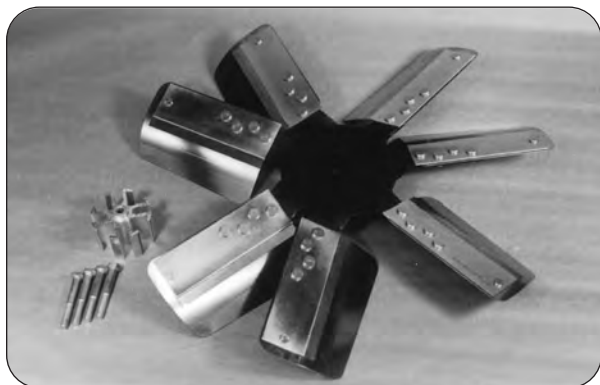


8255	Gasket, water outlet connector to manifold	1.25
8548	Tube, water by-pass	12.95
8555	Tube, water by-pass, press into thermostat housing	6.95
8563	Gasket, water by-pass tube	1.00
8575	Thermostat 160°	14.95
8592	Housing, thermostat	52.95

FUEL SYSTEM



9002	Tank, fuel 55-56	275.00
	57	295.00
9002AR	Vent hose and clamp, 57 fuel tank	2.95



8600B	Fan, 6 blade, heavy duty for extra cooling recommended with air conditioning (requires spacer below)	69.95
8546	Used with 6 blade fan 2"	19.95
8600A	4-blade fan used only	25.00
8601R	Reinforce plate 3 bld. fan	19.95
8620A	Belt, fan	19.95
8620B	Belt, power steering	19.95



9A010R	Bolt, fuel tank strap 55,56	6.55
9A010BR	Bolt, fuel tank strap, 57	4.90
9034A	"O" ring, fuel tank filler pipe, 57 only	1.60
9034AR	Strap, fuel filler neck 57	12.95
9034BR	Bracket, fuel tank filler neck to body 57	12.95
9034C	Fuel filler pipe, 57	159.95



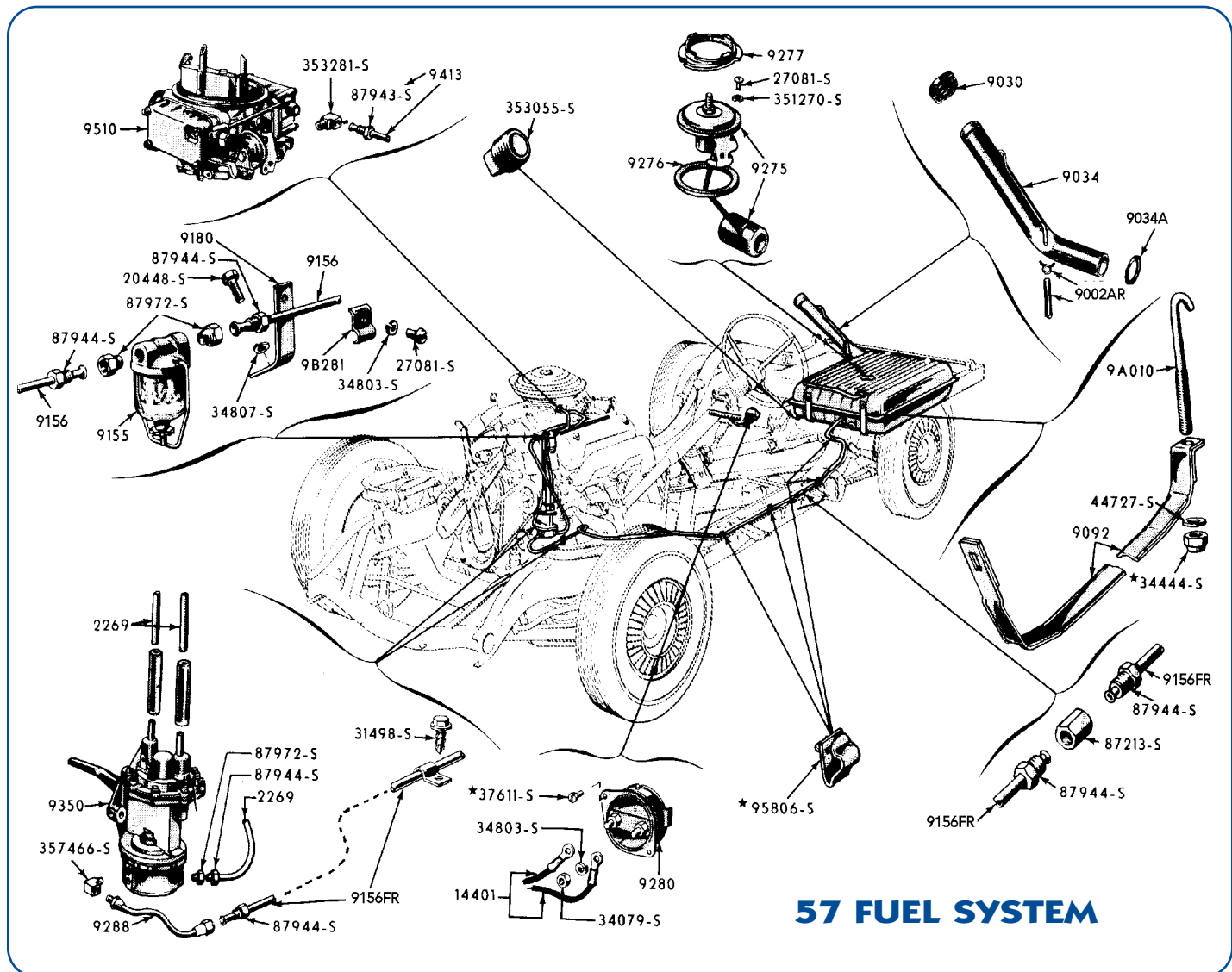
8725R	Clamp, square heater blower duct	4.95
-------	--	------



9030AR	Cap ass'y, fuel tank filler 55	23.95
9030BR	Cap ass'y, fuel tank filler 56, early 57	23.95
9030CR	Cap ass'y, fuel tank filler 57	23.95

Toll Free U.S. & Canada (800) 423-4751 or (562) 944-6237 • FAX (562) 941-8677

Fuel System, Filters & Lines



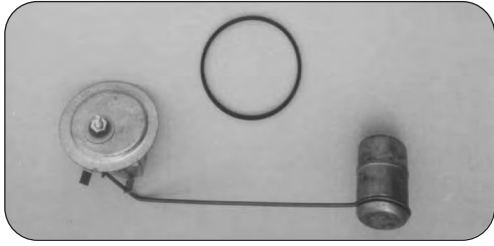
- 9080R Grommet, fuel tank filler neck 55,56. 8.95
- 9092R Strap, gas tank retaining, specify year 13.95
- 9092P Gas tank strap pads, set 5.95

- 9155ER Filter ass'y, "E" Model with dual carbs. . . **Inquire**
- 9156R Fuel and vacuum lines, formed steel, specify year. 2 fuel lines and 2 vacuum lines. (55) 36.95, (56) 36.95, (57) 43.95
- 9156AR Clips, hold vacuum lines together along intake manifold as original, pair 2.95
- 9156ER Kit, fuel lines, 6pc for dual 4 barrel carb 72.95
- 9156FR Fuel line, runs length of frame, specify front or rear, and year (each) 51.95
- 9180 Bracket for fuel filter, complete with clip 8.95
- 9202B 55, 56 float, gas tank sending unit 16.95
- 9202B 57 float, gas tank sending unit 5.95



- 9155 Filter ass'y, fuel 29.95
- (87972-S Fitting, 2 required, each 2.95

Fuel Pump, Sending Units, Carbs, Exhaust Manifolds



- 9275A Fuel tank sending unit 6V, 55 64.95
- 9275B Fuel tank Sending unit 56. 69.95
- 9275C Gauge ass'y fuel tank unit 57 only 74.95
- 9275BR Seal, 57 fuel gauge tank unit 2.00
- 9276 Gasket, fuel gauge tank unit 55-56 1.65
- 9277R 57 sending unit retainer ring. 9.95

- 9278 Sender, oil pressure, engine unit. 10.95
- 9280RB 57 rebuilt fuel gauge (exchange) 145.00
core charge 100.00
- 9B281 Clip, fuel filter bracket, fuel line 2.95
- 9B283R Clip, fuel filter bracket, power brake
vacuum line. 3.60
- 9288AR Flex line, fuel pump to tank line (Best) 16.95
- 9280 Fuel guage & sending unit kit, 56 149.95



9350
Fuel pump, new
The Best
149.95



- 87972A Fuel pump & filter fitting 2.95
- 357566S Fuel pump fitting 90° 2.95
- 9364 Gasket, fuel filter bowl. 1.95
- 9365 Strainer & gasket fuel filter 7.95
- 9417 Fuel pump gasket to block 1.00
- 9A427SR Spacer Only, replaces heat riser valve. . 24.95
- 9A427R Valve, heat riser with stainless rod and
flapper. 84.95
- 9A427DR Valve, heat riser with stainless rod but
no flapper 84.95



9430R RH Exhaust Manifold 260.00



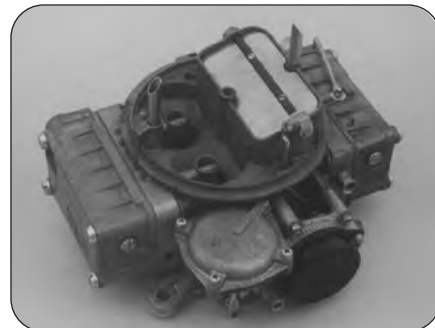
9431R LH Exhaust Manifold 260.00

INTAKE MANIFOLD GASKETS

- 9433 Gasket set, intake manifold designed to
protect manifold paint 16.95
- 9447 Base gasket, carburetor 55-56. 2.95
57 2.95

EXHAUST MANIFOLD GASKETS

- 9448 Exhaust manifold gaskets, includes 3 of
9450. 19.95
- 9450 Gasket, exhaust manifold to muffler inlet
pipe 2.95
- 9492 Choke tube breather mushroom 8.95
- 9503 Diaphragm, secondary throttle,
specify year 55-56 28.95
57 17.95



9510 Carburetor ass'y new 57 replacement, **Inquire**
see part numbers 9520 and 9A520 to
adapt to original fuel supply line

Carb Kits, Air Cleaner & Filters

9520	Custom fuel line, used with 9A520 to adapt late model Holley carb to your 57	7.95
9A520	Custom fuel line fitting, used with 9520 to adapt late model Holley carb to your 57.....	13.95
9B549	Dash pot, carburetor, 57 only	39.95
9B550R	Bracket for 55-56 dash pot	22.95
9B559	57 Accelerator pump diaphragm	8.95
9561	55/56 Carburetor fuel bowl gasket	4.95
9572	55/56 Accelerator pump seal	8.95
95806	Fuel line clip on frame	4.25



9600CR	Air cleaner dome cover neatly covers any holes or rust on old oil bath type air cleaner dome	
	55-56,	135.00
	57 (replaces old cover)	135.00

CARBURETOR OVERHAUL KITS

9A586	Kit, carburetor overhaul	
	55	49.95
	56 and 57 "E-Model"	49.95
	57 original carburetor	47.95
	57 replacement carburetor	44.95
	We recommend replacing secondary diaphragm 57.....	16.95
	55, 56	28.95

9A589	Spacer, 57 carb to intake manifold	44.95
9A590A	Spacer - smog vac. takeoff 57.....	60.00
9A590B	Spacer - smog vac. takeoff 55,56	50.00
9A599	Rod ass'y choke housing level 55 only	13.95



9600
Air cleaner ass'y base element and chrome top, 57 only
419.00



9600BR	Air cleaner 55, 56 replacement	315.00
9600DR	Air cleaner, 55, 56 replacement ass'y made with a disposable filter cartridge, rather than the messy oil bath	Inquire
9600ER	Air cleaner, dual carbs, metal	Inquire
9600AR	Cork, air cleaner to hood seal	4.95
9603A	Wing nut, 55, 56	3.00
9603B	Wing nut, 57	1.95

AIR CLEANER RESTORATION KIT



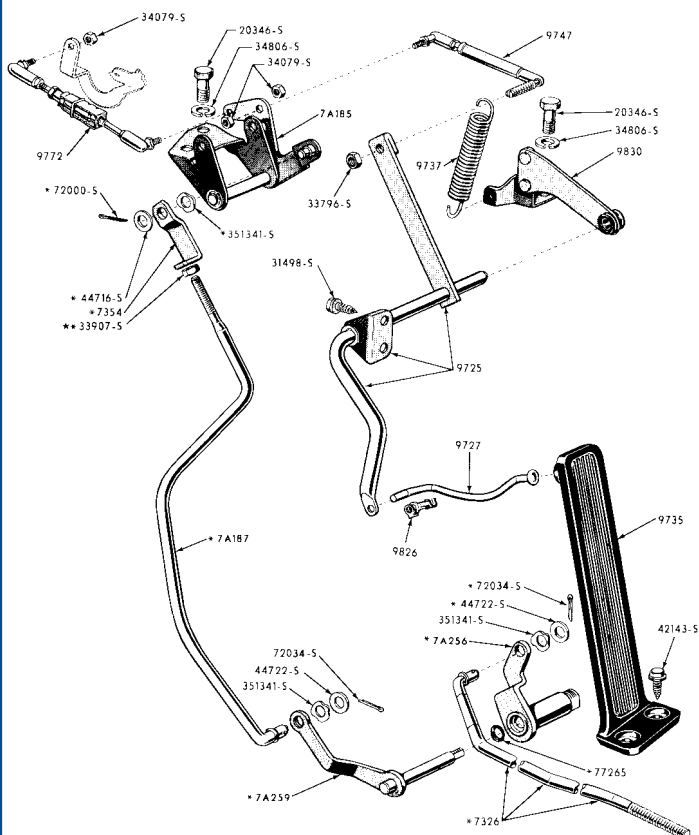
9600K	Air cleaner overhaul kit	
	Includes: Silver paint, cork hood gasket, gasket to carb, and decal	
	55, 56	18.95
	57 (includes air filter element)	26.95

AIR CLEANER FILTERS

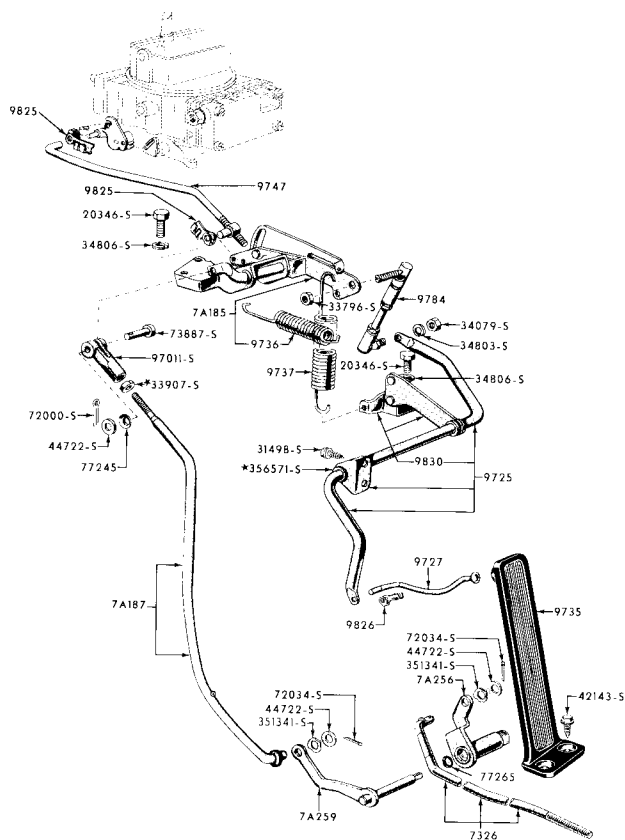
9601	Element, air cleaner 57.....	16.95
9601A	Element, air cleaner for 57 with 2-4BBL's	34.95
9654	Gasket, air cleaner to carburetor.....	2.95
9637R	Gasket, air cleaner, filter dome to reservoir base, 55-56 cork.....	2.40
9A659R	Stud, air cleaner wing nut, 55, 56	11.50

Throttle Linkage & Choke Tubes

TYPICAL 55 AUTOMATIC LINKAGE

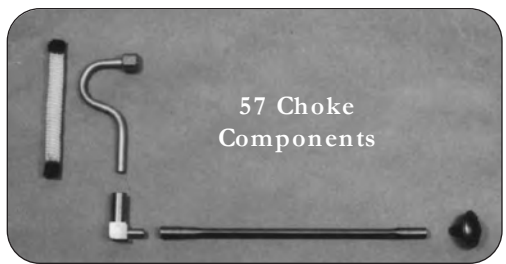
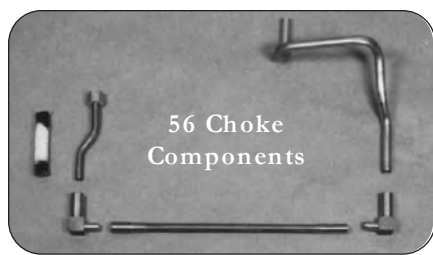
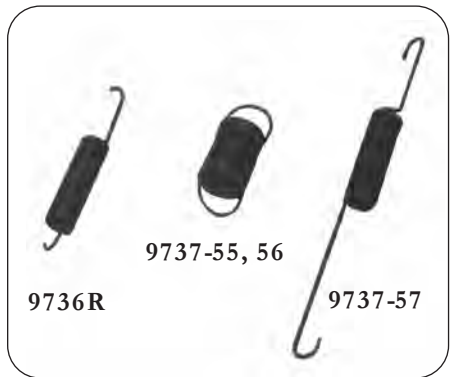


TYPICAL 57 AUTOMATIC LINKAGE



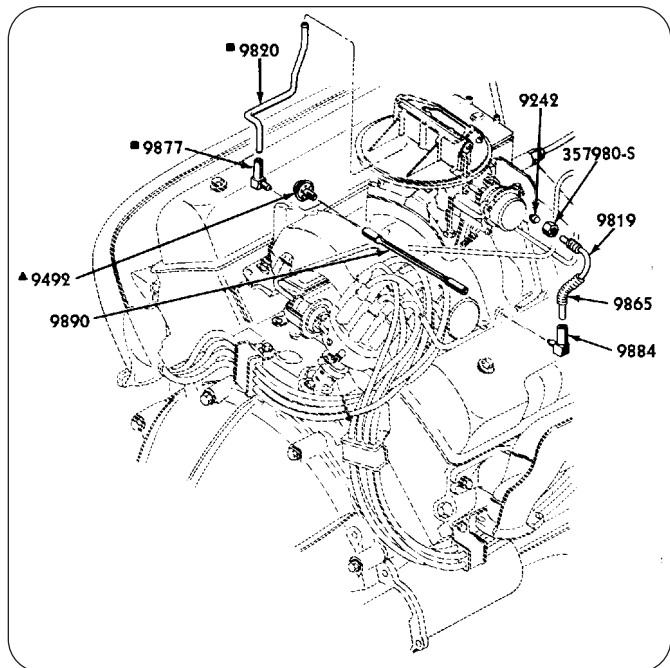
- 9725A Bell crank on firewall, all 55, 56 M/T . . . 54.95
- 9725R Bell crank on firewall, 56, 57 A/T 149.95
- 9727R Rod, accelerator pedal 8.95

- 9772C Accelerator rod 57, 3 speed manual . . . **Inquire**
- 9772D Accelerator rod 57, 3 speed overdrive . . **Inquire**
- 9784A Accelerator rod 55 59.95
- 9784B Accelerator rod 56 F/M 59.95
- 9784C Accelerator rod 57 F/M 59.95



- 9735 Accelerator pedal 18.95
- 9735AR Cork, accelerator rod to firewall 1.10
- 9736R Spring, throttle kick down, specify year 5.95
- 9737 Spring, accelerator retracting, specify year 4.95
- 9747R Link, carburetor accelerator, 57 with F/M 14.95
- 9772A Accelerator rod 55, spring loaded F/M, OD94.95
- 9772B Accelerator rod 55, 3 speed manual . . . 57.95

Choke Tubes & Related Parts



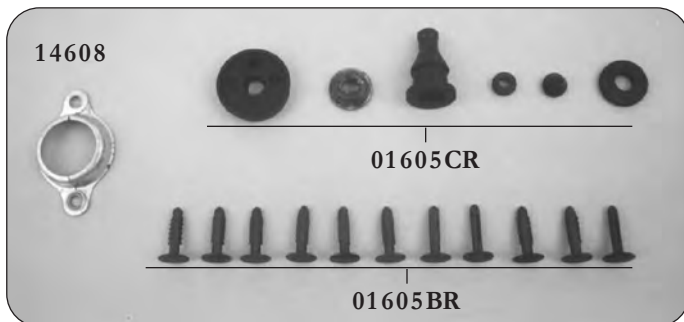
9819AR	Tube, thermostatic choke control, outlet 56	5.95
9819BR	Tube, thermostatic choke control, outlet 57	4.95
9820AR	Tube, thermostatic choke control, inlet 55	9.95
9820BR	Tube, thermostatic choke control, inlet 56	16.95
9825	Clip accelerator linkage rod end, RH ..	.95
9826	Clip accelerator linkage rod end, LH. . .	.95
9848	Choke cover, 57	19.95
9853	Gasket, automatic choke to manifold, 55	1.20
9861	Heat shield, choke 56.	10.50
9864	Nut in manifold for 55 choke tube	12.95
9865AR	Insulator, automatic choke tube 56	4.25
9865BR	Insulator, automatic choke tube 57	5.95
9877R	Elbow, choke control tube inlet 56. . . .	10.95
9884R	Elbow, choke control tube outlet 56-57. .	10.95
9890	Tube, choke control 56, 57.	28.95
9890E	Choke Tube, Inside Intake Manifold "E" Model, 2 required.	19.95
9938A	fuel screen in carburetor 55, 56	5.95

Firewall Pad & Grommets



01605AR Firewall cover, die cut board, with rubber trim and insulation installed on back **58.95**

01694A	Speedometer & overdrive cable grommet	6.50
01820R	Vent register hood	19.95
01822	Bracket, vent cable.	7.95
01822AR	Clip only, vent control cable to bracket inner fender.	3.25
01890R	Gasket set, air ducting contains; 1-01872, 4-01880, 1-01973.	7.95

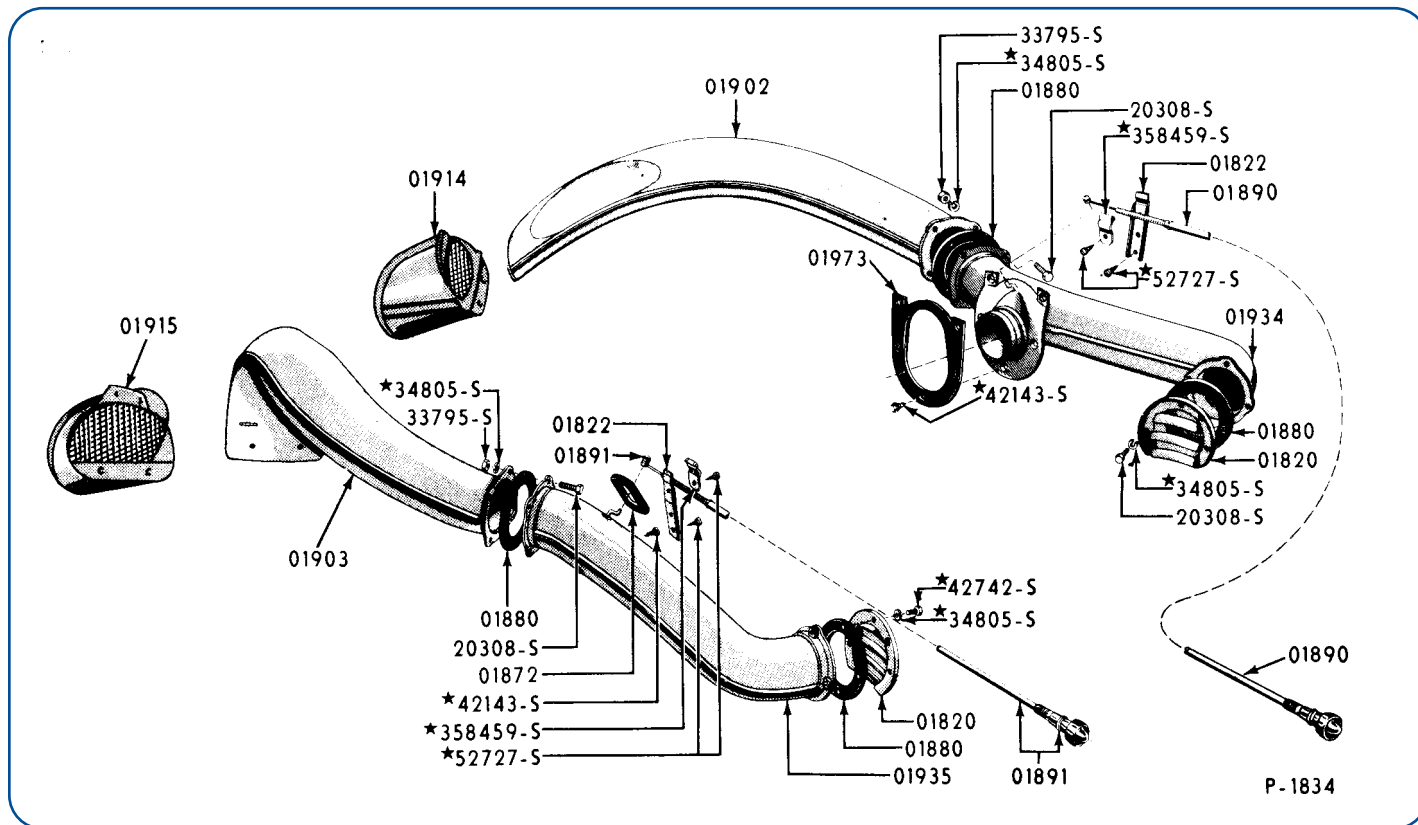


01605BR	Fasteners, firewall cover set of 11.	5.95
01605R	Fasteners, exact reproduction (set)	39.95
01605CR	Grommets, firewall, set of 6	14.95



01891R LH vent cable complete with knob. . . . **44.95**

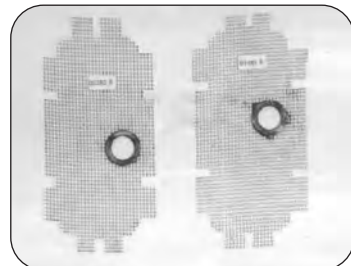
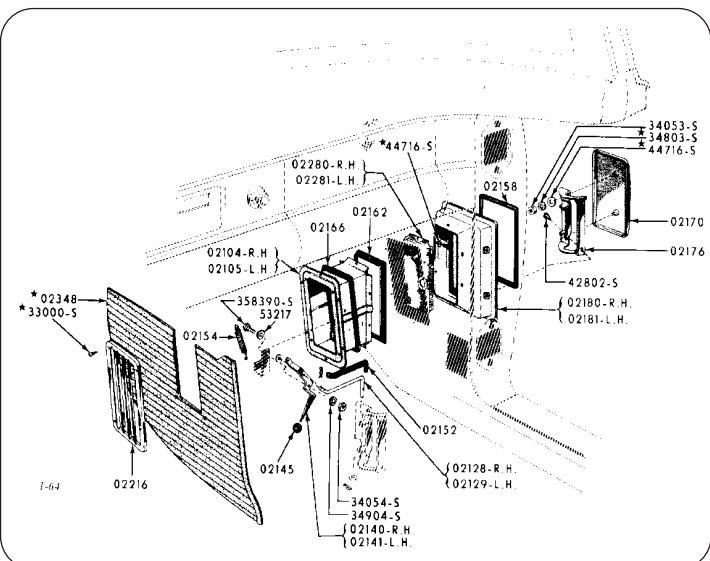
Ventilation Systems



P-1834

01902R	Duct ass'y, RH inlet, fiberglass	170.00
01903R	Duct ass'y, LH inlet, fiberglass	170.00
01914R	Scoop ass'y, RH metal	89.95
01915AR	Screen, air duct scoop	7.95
01915R	Scoop ass'y, LH metal	89.95
01934R	Duct ass'y, RH outlet, fiberglass	210.00
01935R	Duct ass'y, LH outlet, fiberglass	210.00
01973R	Seal, vent air duct to fender apron	2.00

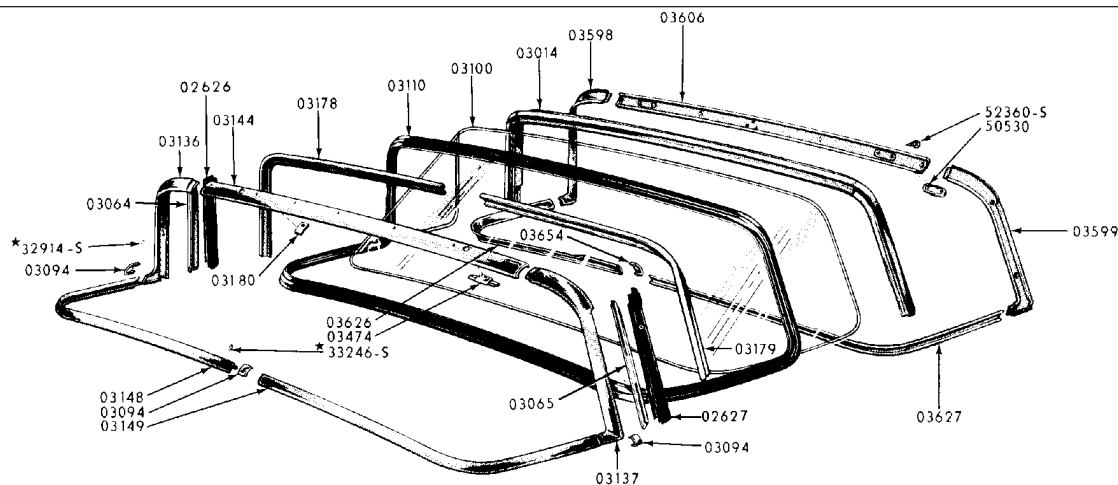
02145R	Knob, vent lever 56 and early 57	6.50
02145	Knob, vent lever with screw impression, late 57	6.50
02154R	Spring, vent door, 56-57	6.95
02158	Seal, vent door 56-57 (molded)	8.95
02158R	Seal, vent door 56-57 (die cut)	2.95
02162R	Valve, vent ducting	24.95
02162SR	Seal cowl door duct to fender	2.95
02166R	Seal, cowl side vent panel 56-57	2.95
02170	Door, cowl vent 56-57	Inquire
02176R	Hinge, side vent door	22.95
02216R	Grill, cowl side ventiliter, chrome	31.95
131TB	Vent Grills to inside body, 8 pieces	2.25



02280R	Screen cowl side vent, RH 56-57	6.95
02281R	Screen, cowl side vent, LH 56-57	6.95
02354	Kick panel retainer RH	Inquire
02355	Kick panel retainer LH	Inquire

Toll Free U.S. & Canada (800) 423-4751 or (562) 944-6237 • FAX (562) 941-8677

Windshield, Windwings & Sunvisors

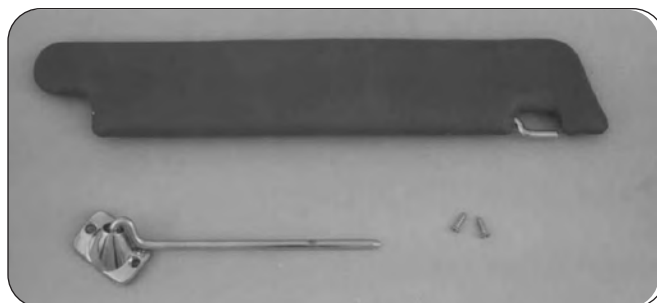


WINDSHIELD AND RELATED PARTS

- 02626R** Weatherstrip, front body pillar windshield post, RH. 29.95
- 02627R** Weatherstrip, front body pillar windshield post, LH. 29.95
- 106TB** Windshield pillar weatherstrips (02626 & 02627) to pillar, 8 pcs. 1.95
- 03094R** Clip, windshield trim, specify year 5.95
- 03100** Windshield, tinted or clear, add \$25 for shaded available on will call only. 449.00
- 103TB** Windshield garnish mldgs. inside to windshield frame 5.25
- 03110** Weatherstrip, windshield (The Best) 62.95
- 03138** Retainer clip inside 03136&7 to 03148&9 4.95
- 03178-9** Retainers, windshield header trim 20.95
- 03180** Clip, windshield, outside top molding. 4.25

- 03458R** Pin, locating, top to windshield header. 10.95
- 03474R** Top pin locator on windshield frame 28.95
- 03627RK** I/S lower stainless pads 3.95
- 03654R** Clip, inside windshield trim, lower 16.95

SUN VISORS



- 04104R** Visors, new reproduction specify color (pr) 176.00
- 04104AR** Clip, "S" clip for visor-chrome 6.75
- 04132R** Clip ass'y, visor retaining 23.95
- 04144** Arm & bracket ass'y, less visor, RH 56, 57. 49.95
- 04145** Arm & bracket ass'y, less visor, LH LH 56, 57. 49.95
- 102TB** Screws, visor arm & retainer to header, 8 pcs 2.25

WINDWINGS & RELATED PARTS



- 03228** Windwing ass'y clear or tinted glass, RH 99.95
- 03228HR** Upper hinge, windwing w/rivets RH. 20.95
- 03229** Windwing ass'y clear or tinted glass, LH 99.95
- 03229HR** Upper hinge windwing w/rivets 20.95
- 03229A** Retainer strip for windwing glass 2.25
- 03232** Hinge, windwing lower, RH 20.95
- 03233** Hinge, windwing lower, LH 20.95
- 03234** Bushing, windwing hinge 2.25
- 220TB** Screw kit, screws & washers for both lower windwing hinges, 8 pieces 2.40
- 03238R** Glass, windwing, with FoMoCo insignia, clear 19.95
- tinted. 19.95

THE PERFECT GIFT IDEA

Prestige THUNDERBIRD Date _____

Gift Certificate \$ _____

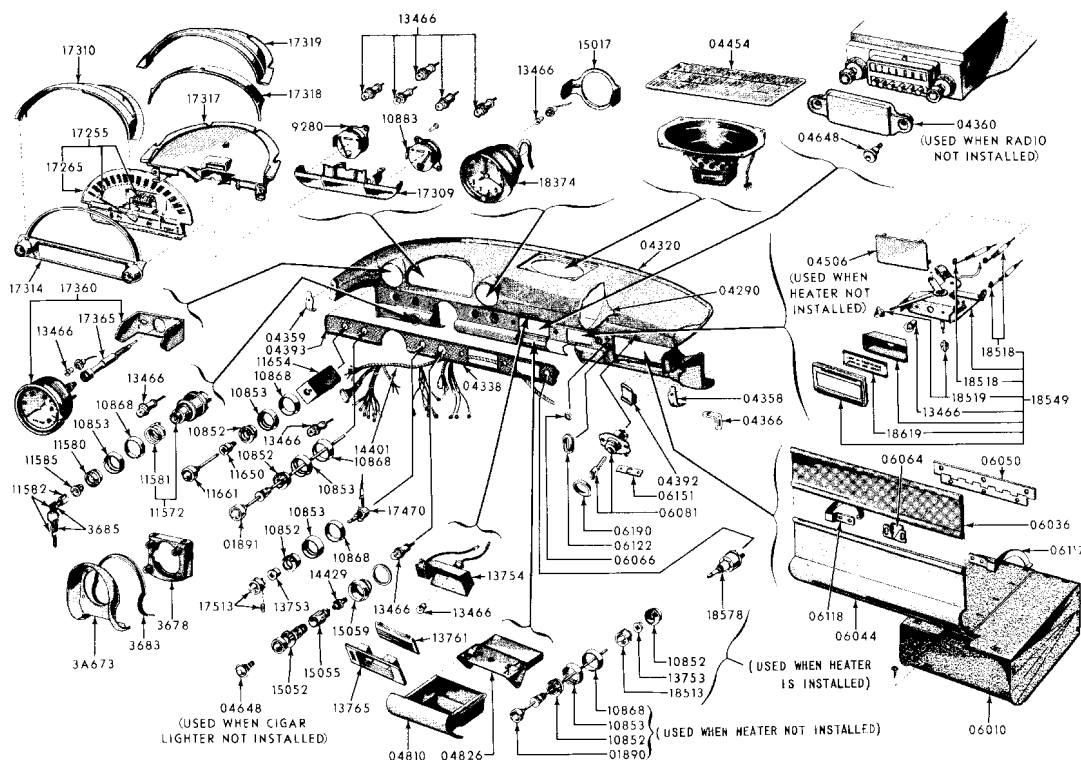
Upon presentation of this Gift Certificate, may select a gift of the value of _____ Dollars

Presented by _____ Signature _____

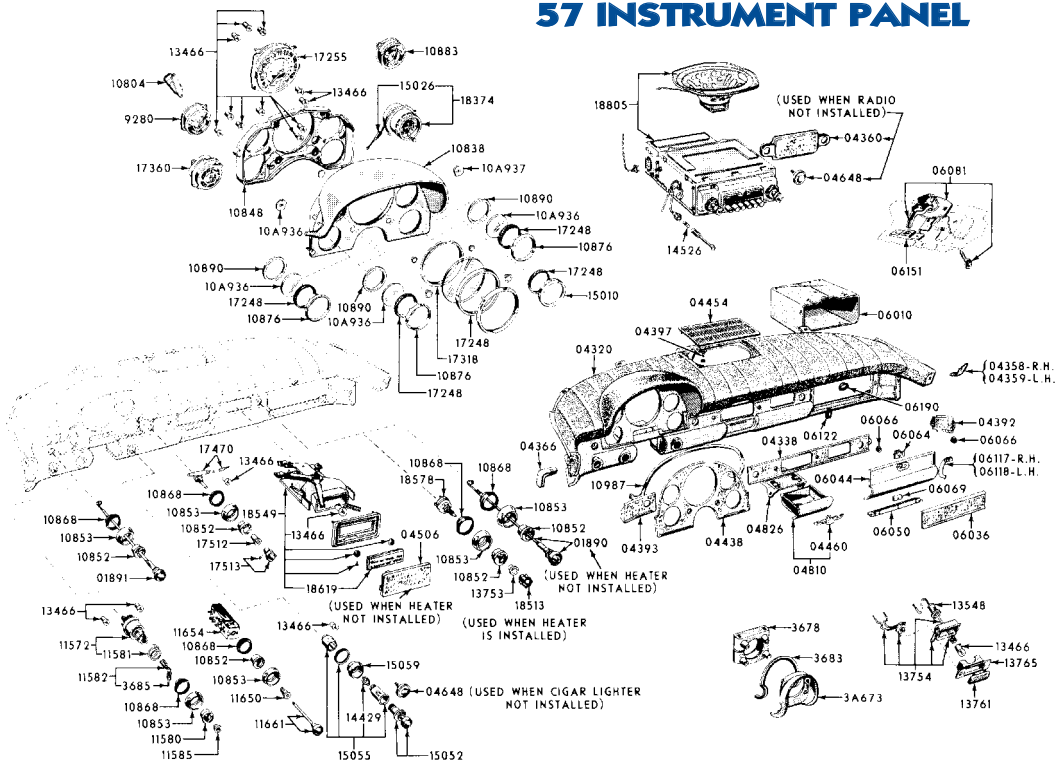
Prestige Thunderbird

Dash Assembly

55, 56 INSTRUMENT PANEL



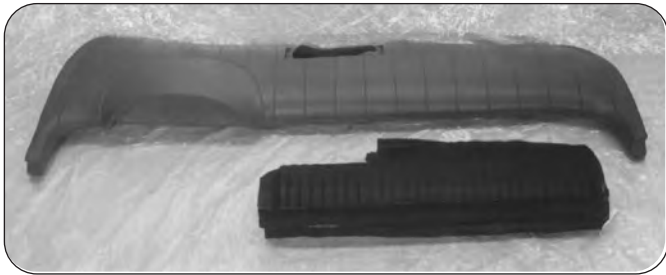
57 INSTRUMENT PANEL



Toll Free U.S. & Canada (800) 423-4751 or (562) 944-6237 • FAX (562) 941-8677

Dash, Pads, Aluminum, Medallions & Glove Box

DASH PADS



- 04290-C 57 Padded dash blue (reproduction) . . . 479.95
- 04290-D 57 Padded dash black (reproduction) . . . 479.95
- 04290-E 57 Padded dash white (reproduction) . . . 479.95
- 04290-F 57 Padded dash red (reproduction) . . . 479.95
- 04290-G 57 Padded dash green (reproduction) . . . 479.95
- 04290-H 57 Padded dash bronze (reproduction) . . . 479.95
- 04290AR Retainer strips, dash pad to dash, 57. . . . 14.50



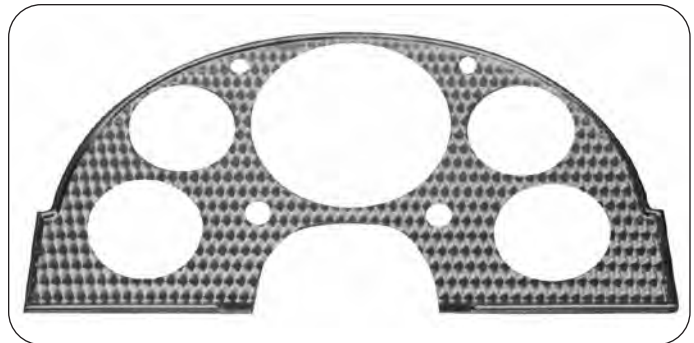
- 04338AK Dash aluminum trim kit, 4 pieces, 55-56 320.00



- 04338BK Dash aluminum trim kit, 4 pieces, 57 (less instrument cluster 04438) 320.00
- 04338CK Dash aluminum trim kit, 5 pieces, 57 Includes 04438 instrument cluster, 444.00
- 04338A Dash aluminum trim, center, 55-56 112.00
- 04338B Dash aluminum trim, center, 57 115.00
- 04358R Plate, chrome dash end RH 16.95
- 04359R Plate, chrome dash end RH 16.95
- 04392 Dash aluminum trim, end, RH 55.00
- 04393A Dash aluminum trim, end, LH, 55-56. 56.00
- 04393B Dash aluminum trim, end, LH, 57. 56.00



- 04407R V8 emblem, glove box with threaded stud, 55-56. 17.95
- 04460 Name plate, Thunderbird, on dash without safety pad, 55-56 24.95
- 04454A Speaker grill spacer kit 4.95



- 04438 Dash aluminum trim, instrument cluster, 57 123.00



- 06010R Glove box 19.95
- 148TB Glove box screws to dash 6 pcs. 1.25
- 06036 Dash aluminum trim, glove box 123.00
- 06064 Striker, Glove Box Door 10.95
- 06066R Bumper & grommet set, glove box door 4.50
- 06117 Arm, glove box door RH 8.95
- 06118 Arm, glove box door LH 8.95
- 01622 Glove box arm bumper, late 57 each 2.00
- 06151R Adjusting plate, plastic, glove box lock 5.75
- 06190R Bezel, glove box lock. 9.95

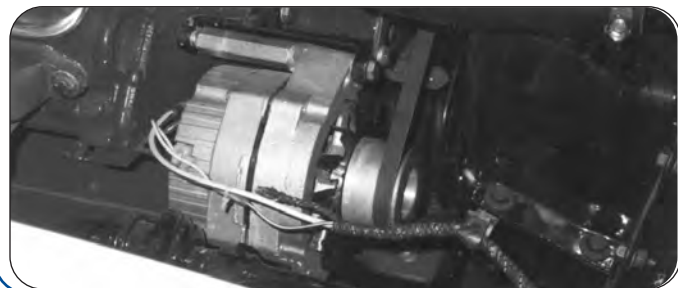
THE PERFECT GIFT IDEA
Prestige Thunderbird
Gift Certificates

Generator & Brackets, Batteries

ALTERNATOR KIT

Convert your 12 volt car from a generator system to an alternator system with our easy to install bracket kit and alternator. This system also eliminates your voltage regulator, comes with easy to follow instructions

Alternator bracket kit w/pulley. 115.00
 Rebuilt alternator 99.95
 Core charge on alternator 25.00
 (We will accept your generator as a core)



DO-IT-YOURSELF REBUILD KIT

10001AK Kit, generator overhaul, 6V, consists of
 1-10094, 1-10095, 1set - 10069, &
 2-10057 34.95
10001BK Kit, generator overhaul, 12V 39.95

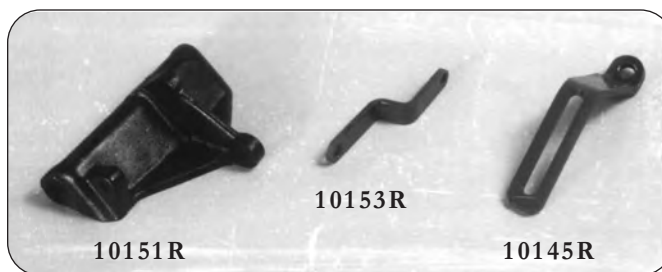
GENERATOR REBUILT

10002RB Generator, rebuilt on exchange
 6V or 12V 159.95
 Core charge on generator 100.00

10057 Spring, generator brush 3.95
10069B Brush set generator 12 volt. 22.60
10094 Bearing, generator end plate, or
 power-steering pump 9.95
10095 Bearing, generator, rear 12.95
10128 Panel, body rocker RH (original) **Inquire**
10128RP Rocker, repair panel, RH 82.00
10129 Panel, body rocker LH (original) **Inquire**
10129RP Rocker, repair panel, LH 82.00

New

10130 Pulley, generator . . 109.95



10145R Arm, generator belt adjustment. 14.95
10151R Bracket, generator mounting, cast. 44.95
10151 Bracket, used original (limited). 44.95
10153R Bracket, generator support to water
 pump housing 9.50

VOLTAGE REGULATORS

10505 Regulator ass'y generator 55-6V 79.95
 56-57 12V 74.95

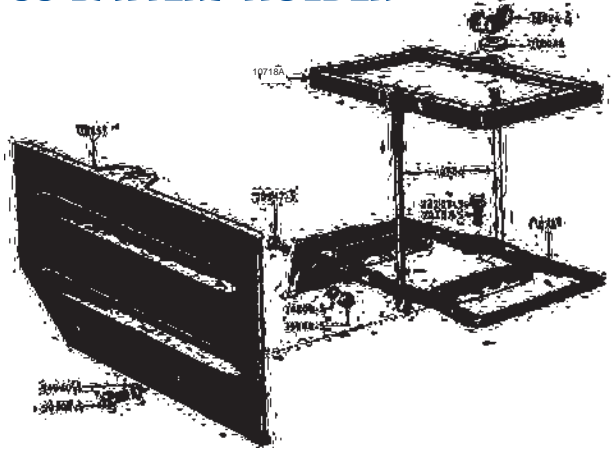
BATTERIES



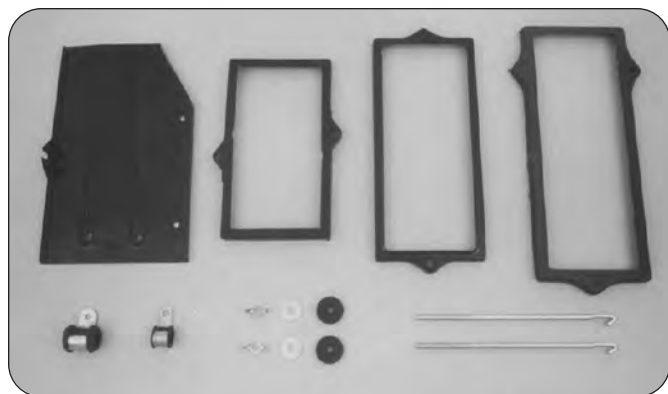
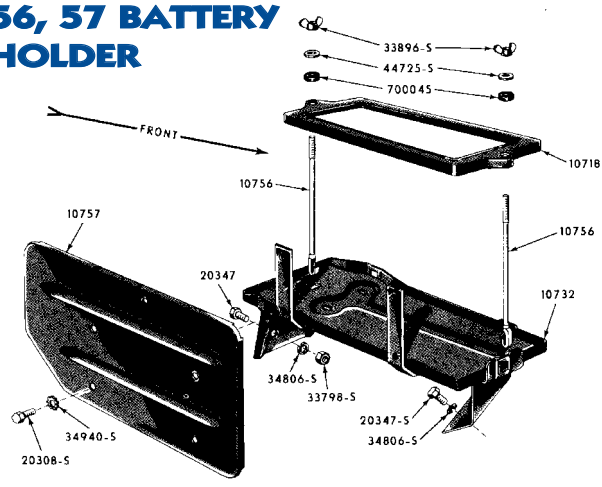
10654 Battery heavy duty premium
 55 6V **Inquire**
 55, 12V battery, 55 184.95
 56,57 12V Group 29 165.00
 56,57 12V Group 32 **Inquire**
10654DR Power punch battery, reproduction
 of the original case in both sizes
 GR 29, or 32 **Inquire**

Battery Trays & Holddown Kits

55 BATTERY HOLDER



56, 57 BATTERY HOLDER



- 10732AR Tray, battery, 6V or 12V for the 55 72.95
- 10732BR Tray, battery, 12V for the 56-57
"The Best" painted black w/welded
nuts for side shield. 76.95
- 315BTB Kit, battery support to apron & shield to
support 56/57, 18 pcs. 3.95
- 10756 Bolt, battery clamp. 5.95
- 10757 Shield, battery 55 34.95
- Shield, battery 56/57. 41.95
- 10760 Kit, battery hold down attaching parts
(grommets, washers, wingnuts) 2 hole 3.95
- 3 hole 5.95

BATTERY HOLD DOWN KITS

- 10717AK Battery hold down kit, 55; includes 10718A
clamp, 2-10756A bolts, wingnuts,
washers and grommets. 24.95
- 10717BK Battery hold down kit, 56-57, GRP 29;
includes 10718B clamp, 2-10756 bolts,
wingnuts, washers and grommets. 34.95
- 10717CK Battery hold down kit, 56-57, GRP 32;
includes 10718C clamp, 3-10756 bolts,
wingnuts washers and grommets 54.95
- 10718A Clamp, battery hold down, 55 6V,
GRP 2N 5 3/4 x 10 1/4. 14.50
- 10718B Clamp, battery hold down, 56-57,
GRP 29, 5 1/2 x 12 1/2. 21.95
- 10718C Clamp, battery hold down, 56-57,
GRP 32, 5 1/2 x 14 1/4. 38.95
- 10720R Bracket, battery hold down to inner
fender panel, 55. 6.95



Battery Disconnect, save your battery from pre-mature discharge by using this quick disconnect battery switch. 9.95

The Battery Tender® Plus is a 1.25 amp battery charger designed to fully charge and maintain a battery at a proper storage voltage without the damaging effects caused by trickle chargers.



Micro-chip technology applies the correct peak charge, then automatically maintains the battery at the perfect float voltage which virtually eliminates battery destroying sulfation! 64.95

Dash Bezels, Temp Kit, Ignition

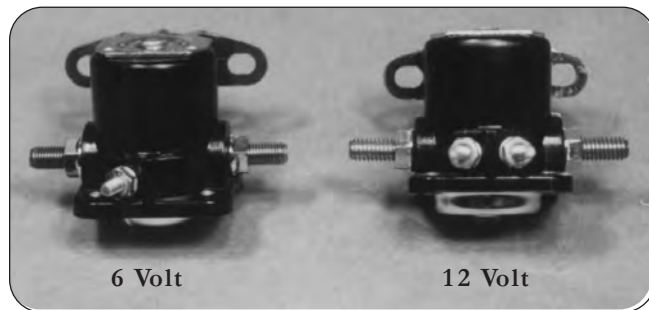
10804 Regulator ass'y instrument cluster voltage. 29.95

111352-L Inner rocker panel LH 72.50
 11135 Kit, floor and cowl plugs, per set of 10 21.95
 111351-R Inner rocker panel RH 72.50
 11136R Kit, quarter panel drain plugs, per set of 4 5.95
 11290 Cover, fuel sending unit on trunk floor 10.95



NEW DASH BEZEL PLASTICS & CHROME

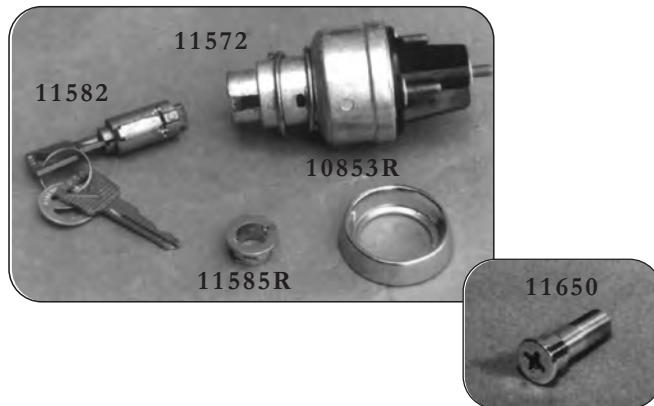
10852CL Dash Bezel - inner - cigar lighter 17.95
 10852HB Dash Bezel - inner - heater blower. . . . 17.95
 10852LA Dash Bezel - inner - left air 17.95
 10852LI Dash Bezel - inner - lights 17.95
 10852WI Dash Bezel - inner - wipers 17.95
 11580 Dash Bezel - inner - ign switch. 19.95
 10853R Bezel, dash instrument, outer, chrome . 14.95
 10868R Pad, rubber for 10853R. 1.40
 10877AK Instrument cluster chrome rings 57, 5 pcs 89.95



11450 Switch, starter motor relay, solenoid 6V 28.95
 12V, Motorcraft. 49.95
 12V, Replacement. 21.95
 12V, Brown body show quality. 39.95
 312TB Kit, starter solenoid to firewall, 2 pcs 75

TEMPERATURE SENDING UNITS

10883A Temperature guage 55, 6 volt 86.95
 10883B Temperature guage 56, 12 volt 86.95
 10883RB 57 rebuilt temperature gauge (exchange) 125.00
 10884 Sender, water temperature indicator, 55-6V. 82.00
 56-12V 82.00
 57-12V 16.95
 10884PTK Temp sender & guage kit 149.95
 10911AR Adapter, water temperature indicator sender, 55, 56. 15.25
 10911BR Adapter, water temperature indicator sender, 57 14.95
 10936AR Lens - glass - speedometer face 57 4.95
 10936BR Lens - glass - fuel, temp. tac 57 ea. . . . 3.95
 10A938 Bezel set, chrome rings around oil, gen & turn signal indicator lights, 57 . . . 45.

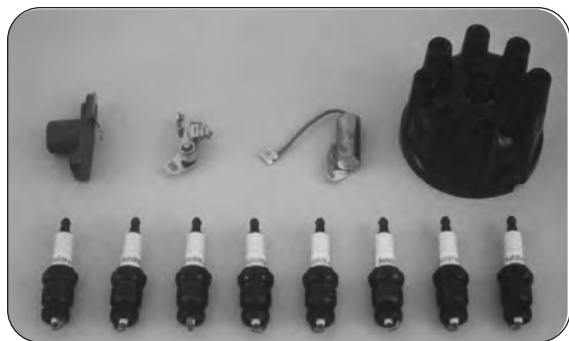


REBUILT STARTER MOTORS

11002RB Starter ass'y rebuilt exchange, 6V or 12V 169.95
 Core change on starter motor 100.00
 310TB Kit, starter to bell housing, 6 pcs 1.60
 11052 Bushing, starter motor front end plate. . 3.95
 11057 Brush set, starter motor 12.95
 11135A Bushing, starter motor end plate 3.95
 11350 Drive ass'y starter motor (New) 69.95
 11365 Pin, starter motor drive pinion 1.95

11572 Switch, ignition 38.95
 11582 Cylinder & keys, ignition switch 14.95
 11585R Retainer nut, ignition switch bezel 14.95
 11650A 55/56 Headlight switch retaining nut. . . 16.95
 11650 57 Headlight switch retaining nut 16.95
 11654 Switch, headlight 55, 6V. 54.95
 Switch, headlight 56-57, 12V 54.95
 11661A Knob and shaft, headlight switch 55/56 20.95
 11661B Knob and shaft, headlight switch 57 . . . 20.95

Tune-Up & Distributors



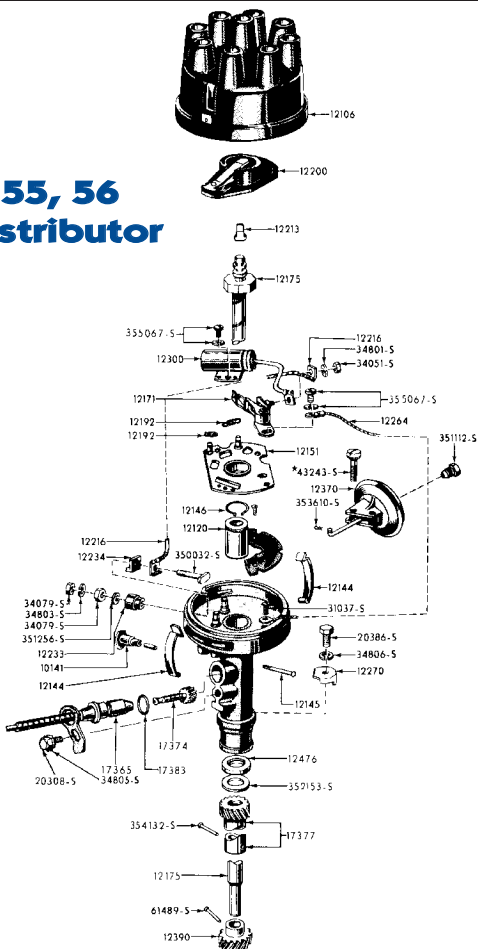
12106	Distributor cap, 55-56	18.95
	Distributor cap, 57	17.95
12110AR	Kit, ignition cable conduit	6.95
12111	Bracket, ignition cable mounting (used with 12361 clamp)	5.20
12112A	Bracket, ignition cable mounting	3.50
12112B	Bracket, ignition cable mounting	3.70
12113	Kit, ignition cable grommets and brackets with combs.	28.95
12120	Distributor Bushing 57	16.95

12000	Tune up kit, ignition, includes: 1-12106, 1-12171, 1-12200, 1-12300, 8-12405 state year.	77.95
12029A	Coil, 6V	29.95
12029B	12V (replacement)	27.95
12029C	Coil 12V with yellow top as original for 57	41.95
12029PC	Pertronix chrome coil 12V	51.95
12029PB	Pertronix black coil 12V	45.95
12043	Coil bracket, 56, 57	34.95
12044R	Coil bracket, 55	16.95

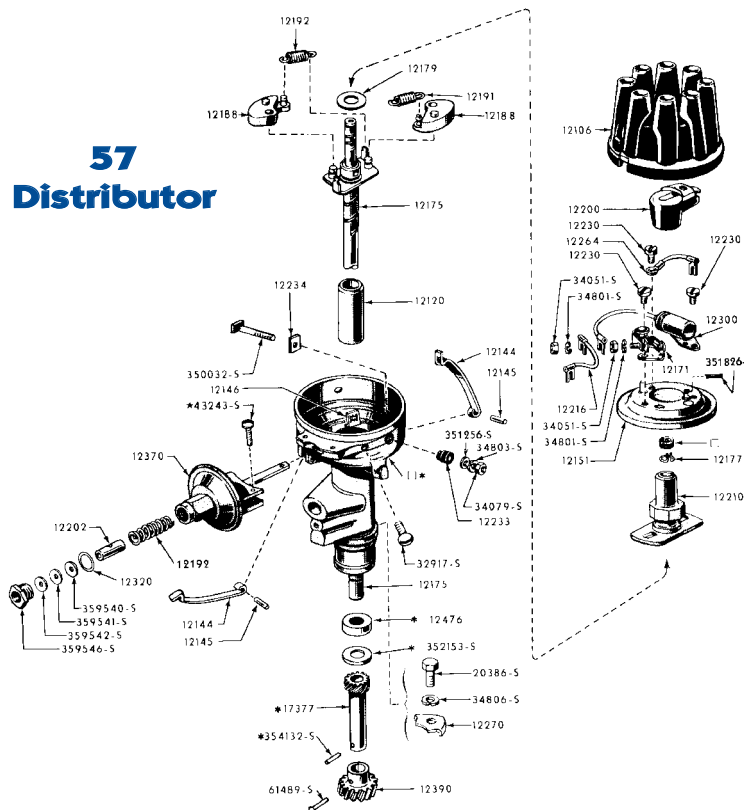


12127RB
Distributor ass'y, rebuilt
exchange only 295.00
Includes new points,
condensor, cap and rotor
(vacuum advance extra)

55, 56 Distributor

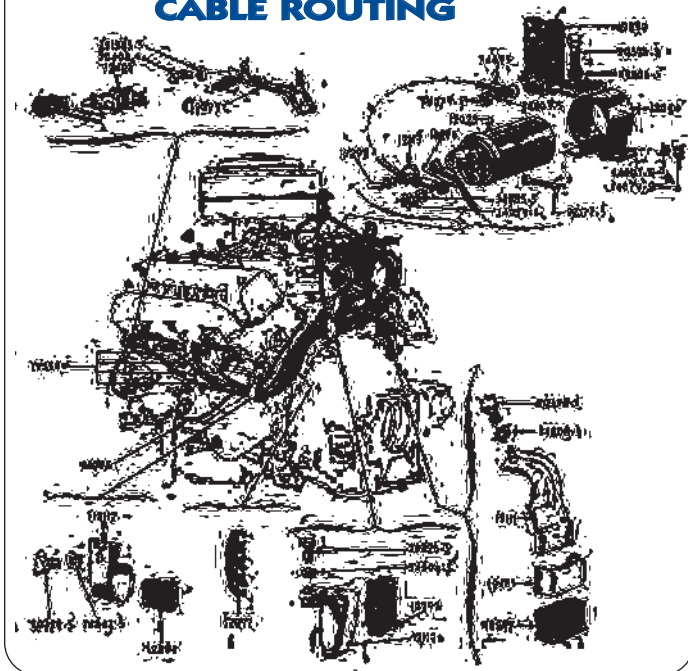


57 Distributor



Plug Wire Kits, Electronic Ignition

TYPICAL IGNITION CABLE ROUTING



12128R	Plug, floor access hole	11.95
12143	Seal, dist. to block	1.50
12171	Point set, distributor 55-56	10.95
	Point set, distributor 57.	13.95
12175	Shaft & cam ass'y, distributor 57 only . .	Inquire
12200	Rotor, distributor 55-56	5.95
12200	Rotor, distributor 57	6.95
12213	Retainer, distributor rotor	3.95
12216	Primary wire	2.95
12230	Screw, distributor bracket lock25



12250BR	Resistor, ignition coil 56-57 (like original) as pictured.	28.95
---------	--	-------

PLUG WIRES



12259A	Spark plug wires - original 55,56 early 57	74.95
12259B	Spark plug wires - original - late 57	74.95
12259	Spark plug wires (replacement)	65.95
12113	Kit, ignition cable grommets and brackets with combs.	28.95
12260	Kit replacement, ignition wire set & brackets.	94.00
12264	Wire ass'y distributor ground	3.95
12270	Clamp, distribution hold down	12.95
12297A	Grommet, ignition cable, 4 holes in square	2.75
12297B	Grommet, ignition cable, 4 holes in line	2.75
12297C	Separator, ignition wire, plastic.95
12298	Coil wire, brown, exact reproduction . .	20.95
12299	Shield, spark plug ignition wire heat. . .	4.95
12300	Condenser, distributor 55-56	10.95
	Condenser, distributor 57	10.95
12361	Clamp, distributor plug wire bracket . .	3.85



ELECTRONIC IGNITION KIT

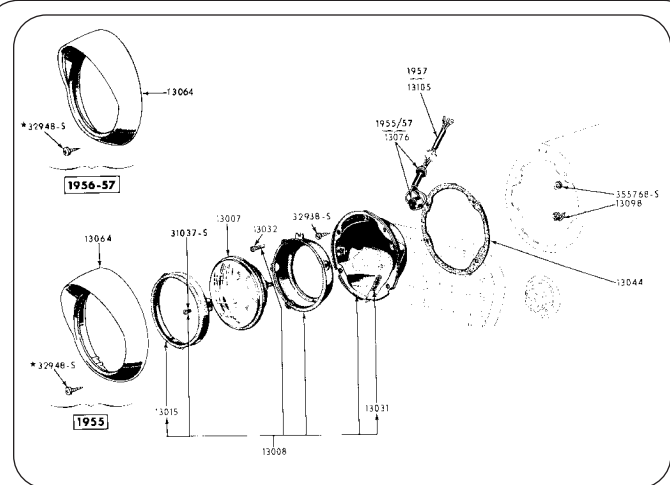
Eliminate the cost and hassle of replacing your points and condenser by installing our new electronic ignition

55 6 volt positive ground	147.95
55, 56 12 volt.	124.95
57 thru 72 12 volt.	109.95
Replacement Mallory distributor	112.95

Headlamps & Park Lamps, Step Plates



- | | | |
|--------|---|---------|
| 12370 | Vacuum advance ass'y 55 (Rebuilt) Exc. | 125.00 |
| | 56 (Rebuilt) Exchange | 195.00 |
| | 57 (Rebuilt) Exchange | 65.00 |
| 12371R | Vacuum line, distributor to carburetor 55 | 16.95 |
| | 56 (2 pcs) | 31.95 |
| | 57 | 19.95 |
| 12390 | Gear, distributor drive | Inquire |
| 12405 | Spark plug, BF-82. | 3.95 |
| 12476 | Oil seal, distributor shaft. | 13.95 |

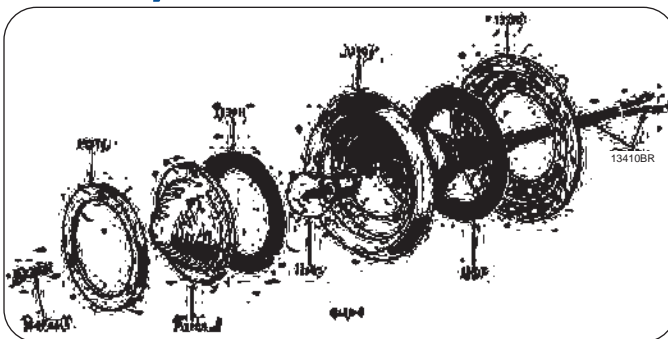


- | | | |
|---------|---------------------------------------|-------|
| 13007A | Sealed beam, 6V | 19.95 |
| 13007B | Sealed beam, 12V (Halogen). | 22.95 |
| 13008R | Clip, headlight door retaining, lower | 8.75 |
| 13015 | Ring, headlamp retainer | 14.95 |
| 13031 | Spring, headlamp adjusting | 3.50 |
| 13044R | Gasket, headlamp mounting | 3.75 |
| 13076 | Wiring ass'y, headlamp leads 55-56 | 21.95 |
| 13076BR | Wire loom, headlight 57, RH & LH | 48.95 |

DIMMER SWITCH & PLATE

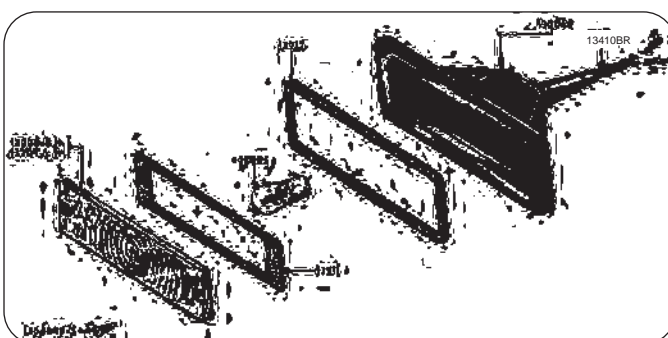
- | | | |
|--------|-------------------------------|-------|
| 13024 | Dimmer switch cover | 49.95 |
| 13A024 | Switch, headlamp dimmer 55-56 | 23.95 |
| | 57 | 34.95 |

55, 56 PARK LAMP PARTS



- | | | |
|---------|---|-------|
| 13206 | Body, parking lamp w/wire loom 55-56 | 47.95 |
| 210ATB | Kit, parking lamp lens to lamp body 55/56, 6 pcs | 4.50 |
| 13208AR | Lens, parking light 55-56 LH or RH | 8.95 |
| 13210 | Parking light retainer | 10.95 |
| 13211A | Gasket, parking lamp lens 55-56 | 1.50 |
| 13217A | Pad, park lamp body to fender 55-56 | 4.25 |
| 13220 | Parking light retainer, spot welds to fender 55, 56 | 27.95 |
| 13410BR | Pigtail wire and socket 55-56 | 21.95 |

57 PARK LAMP PARTS

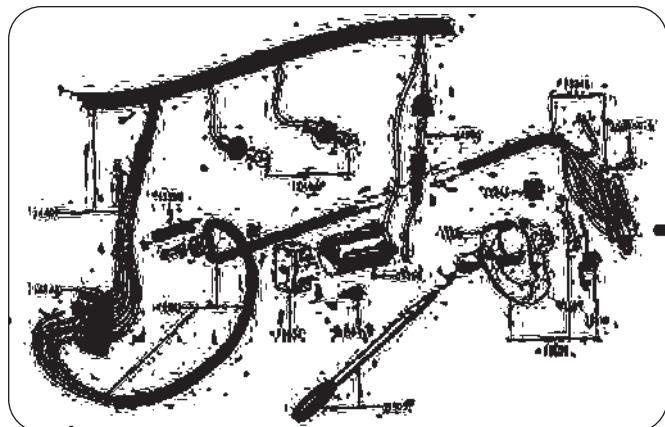


- | | | |
|---------|--|-------|
| 13206 | Body, parking lamp w/wire loom 57 | 67.95 |
| 13208BR | Lens, parking light, 57 RH | 11.95 |
| 13209 | Lens, parking light, 57 LH | 11.95 |
| 210BTB | Kit, parking lamp lenses to body, 4 pcs | 4.50 |
| 214TB | Kit, parking lamp body to bumpers 57, 12 pcs | 2.70 |
| 13211B | Gasket, parking lamp lens 57 | 1.85 |
| 13217B | Pad, park lamp body to bumper 57 | 2.15 |
| 13410BR | Pigtail wire and socket 57 | 21.95 |



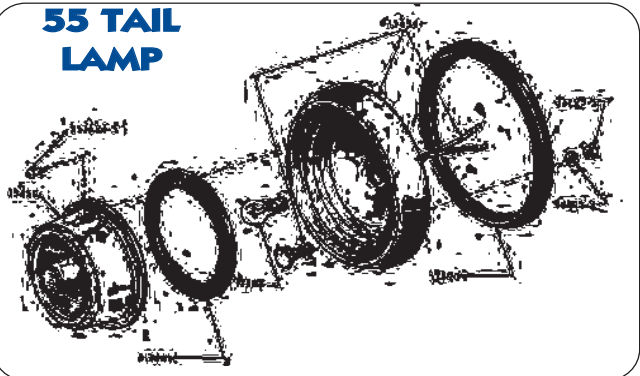
- | | | |
|--------|--|-------|
| 13208A | Step plate, RH door | 38.95 |
| 13209A | Step plate, LH door | 38.95 |
| 132TB | Kit, attaching screws for step plates 16 pcs | 3.25 |

Turn Signals, Tail Lamps

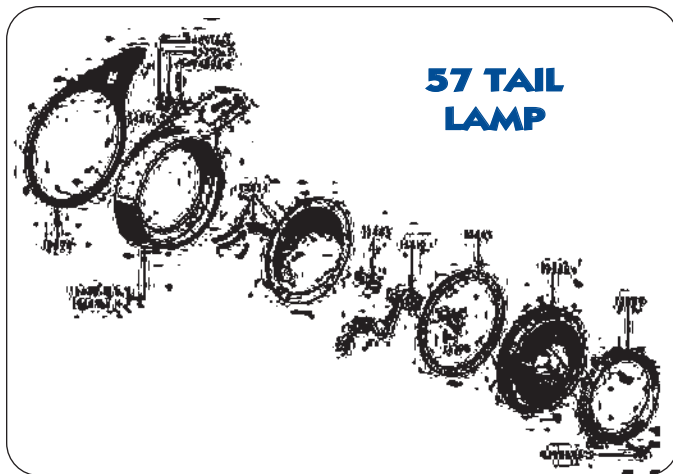
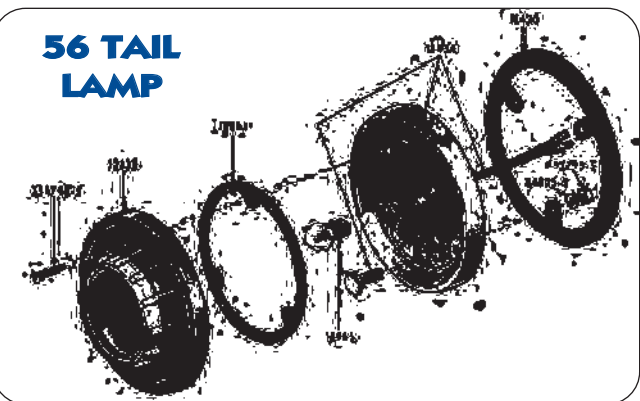


- | | | |
|---------|-------------------------------------|---------|
| 13304AR | Canceling plate ass'y 55 | 47.95 |
| | 56-57 | 50.95 |
| 13305R | Lever, turn indicator, specify year | 14.95 |
| 13316 | Spring, turn indicator switch pawl | 4.95 |
| 13318R | Canceling cam on steering wheel | 10.95 |
| 13341R | Switch, turn signal | 99.50 |
| 13343R | Turn signal switch attaching spring | 2.95 |
| 13350 | Flasher, turn indicator 6V | 11.95 |
| | 12V | 5.95 |
| 13350EM | Emergency Flasher Kit | Inquire |
| 13398R | Bumper, trunk lid-pair W/Fomoco | |
| | 55-56 | 12.95 |
| | 55-56 without FOMOCO | 7.95 |
| | 57 | 3.25 |

55 TAIL LAMP



56 TAIL LAMP

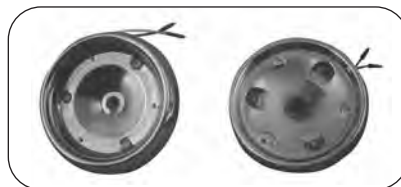


57 TAIL LAMP

- | | | |
|---------|--|-------|
| 13404-A | Socket assy. rear lamp 55 | 14.95 |
| 13404-B | Socket assy. rear lamp 56 | 14.95 |
| 13404-C | Socket assy. rear lamp 57 | 14.95 |
| 13410AR | Pigtail and wire ass'y parklight 55,56 | 21.95 |
| 13410BR | Pigtail and wire ass'y parklight 57 | 21.95 |
| 13410C | Back-up light sockets w/wires 57 | 19.95 |



- | | | |
|--------|--|-------|
| 13411 | Socket, back-up lamp, 55-56 | 13.95 |
| 13412 | Socket & wire ass'y 57 license lamp | 15.95 |
| 13420 | Pad, rear light mounting, 55-56 | 5.75 |
| 13420R | Pad, tail light door mounting, 57 | 3.30 |
| 13423 | Retainer bracket, rear license plate light 55-56 | 16.80 |

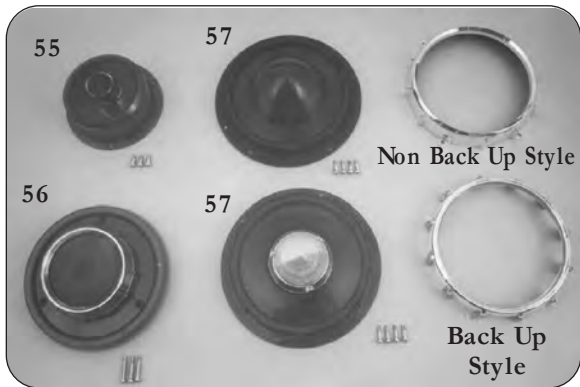


- | | | |
|---------|------------------------------------|-------|
| 13434AR | Taillight housing, chrome bezel 55 | 48.50 |
| 13434BR | Taillight housing, chrome bezel 56 | 43.50 |
| 13437 | Red round lens, 56 backup housing | 5.75 |

THE PERFECT GIFT IDEA
Prestige Thunderbird
Gift Certificates

Prestige Thunderbird
 Gift Certificate
 My presentation of this Gift Certificate, may when a gift of the value of _____ Dollars
 Presented by _____ Signature _____

Tail Lamps & License Lamps



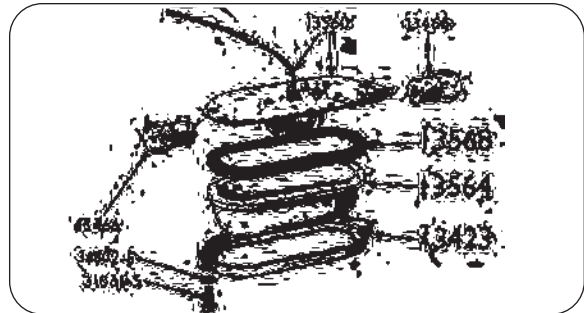
13450AR	55 reproduction lens	18.95
13450FAR	55 lens with "FOMOCO"	24.95
13450BR	56 reproduction lens	24.95
13450FBR	56 lens with "FOMOCO"	34.95
13450CR	57 with back up	42.95
13450FCR	57 lens with backup & "FOMOCO"	49.95
13450DR	57 w/out back up	29.95
211ATB	Kit, Rear lamp lenses to lamp body 55, 6 pcs	7.50
211BTB	Kit, Rear lamp lenses to lamp body 56, 6 pcs	6.00
211CTB	Kit, Rear lamp lenses to lamp body 57, 8 pcs	10.50
13461R	Gasket, tail lamp lens mounting, 55	2.75
	56	2.75
	57	3.30
13465K	Bulbs kit, all the small bulbs for your Thunderbird, specify year	24.95
13480	Switch, stop light	12.95
13489A	Chrome bezel 56 tail lamp, each	19.95
13489	Bezel, tail light lens, specify with or without back up lights, 57 only, with	28.95
	without	28.95



Stop Light Switch Kit

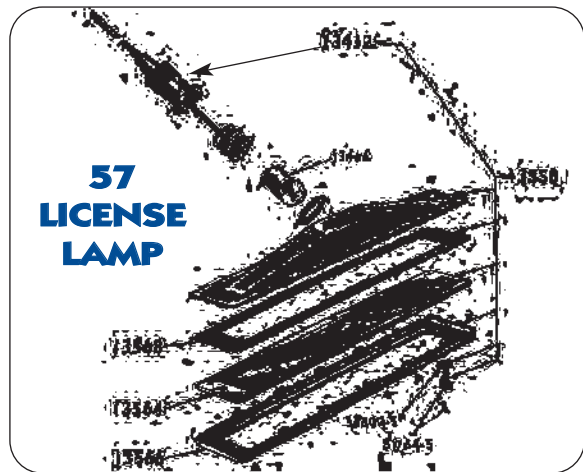
Tired of changing your stop light switch? Try our new Switch kit, which mounts on your pedal assembly like new cars. Comes with complete installation instructions. **34.95**

55, 56 LICENSE LAMP



13550A Lamp ass'y, rear license, 55-56 kit includes 1-13423, 2-13466, 1-135640, 1-13568R, 2-31061-S, 2-34802-S **67.50**

57 LICENSE LAMP



13550R Lamp ass'y, rear license, 57 kit includes 1-13412, 1-13566, 1-13564, 1-13568, 2-34802-S **78.95**

13560AR Body & Socket ass'y, rear license plate light, 55-56 **37.00**

13560BR Body ass'y license lamp body, 57 **26.95**

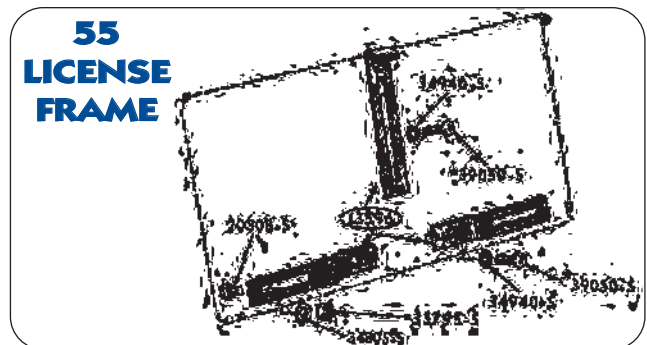
13564A License light lens, 55, 56 **17.00**

13564B License light lens, 57 **16.25**

13566R Retainer, rear license lamp lens, 57 (chrome) **19.95**

13568R Gasket, license light lens specify year **1.75**

55 LICENSE FRAME



13596 License plate holder ass'y, rear 55 **12.50**

13713 Switch, door post map light **10.95**

Horn, Medallions, Relays & Battery Cables

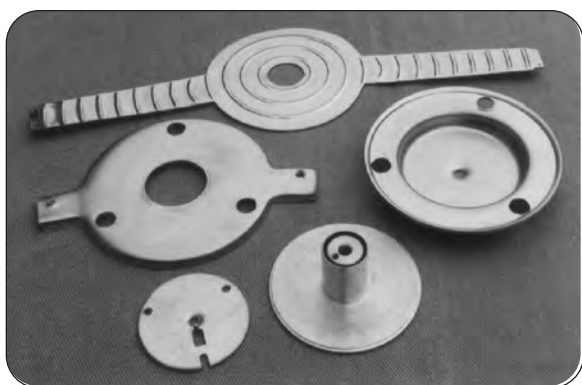
13753 Wiper control nut and heater nut 13.95



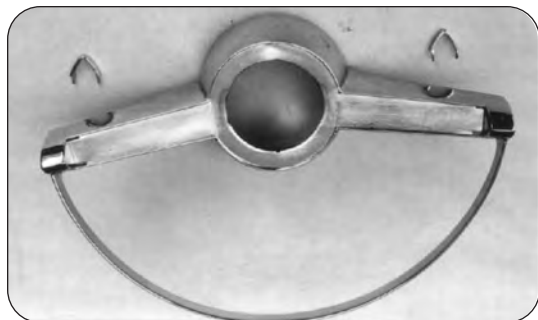
13754AR Switch, map light 11.95

13761R Lens, map light 6.95

13765R Chrome Housing, Map Light 22.50



13A799R 55 horn ring attaching kit 215.00



13A805 Ring, horn 55 375.00

13A805B Chrome clip for horn ring plastic, each. 26.95

13A806-CR Rubber Insulator, Horn Ring 55 9.00

13A806-DR Rubber Insulator, Horn Ring 56.57 6.95

13A807R Horn button spring 3.25

13808R Plastic, 55 horn ring, clear 21.95



13A809R Medallion, horn ring center, plastic, 55 26.95

56 29.95

57 29.95

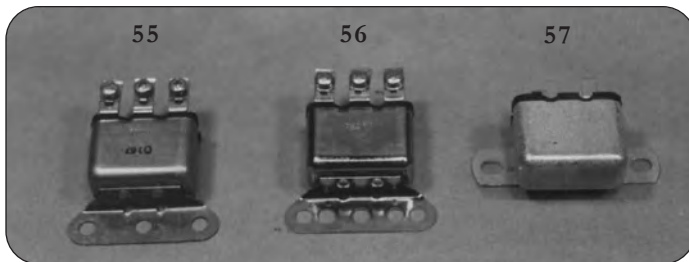
HORN - 6 OR 12 VOLT

13830 RH Horn bracket 9.95

13831 LH Horn bracket 9.95

13832 Horn, low pitch, 55-57 34.95

13833 Horn, high pitch, 55-57 34.95



13853 Relay & bracket ass'y, horn 6V 55 20.95

12V 56 19.95

12V 57 19.95



14300-1BRK 56 kit, battery cables, as original 74.95

14300-1CRK 57 kit same as above, as original 74.95



14300 Cable, battery to starter relay, black

55 (replacement) 6 volt 19.95

55-56 (replacement) 12 volt 18.95

57 (replacement) 18.95

14301 Cable, battery to ground, black

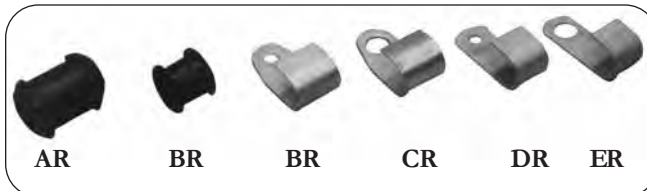
55 (replacement) 6 volt 27.95

55, 56 (replacement) 12 volt 21.95

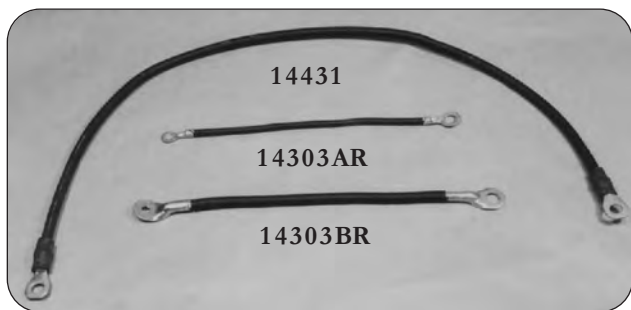
57 (replacement) 13.95

Wiring, Looms & Repair Kits

BATTERY CABLE, BRACKETS & GROMMETS



- | | | |
|---------|--|------|
| 14302AR | Grommet, battery cable clamp, 55-56 . . | 5.75 |
| 14302BR | Grommet, battery cable clamp, 57 | 5.75 |
| 14304BR | Bracket, battery cable, small hole, 55-56 | 5.75 |
| 14304CR | Bracket, battery cable, large hole, 55-56 | 5.75 |
| 14304DR | Bracket, battery cable, small hole, 57 . . | 5.75 |
| 14304ER | Bracket, battery cable, large hole, 57 . . | 5.75 |



- | | | |
|---------|---|-------|
| 14303AR | Ground cable, engine to firewall 55, 56 | 13.00 |
| 14303BR | Ground cable, engine to firewall 57 . . . | 14.95 |
| 14431A | Cable, starter relay to starter 6 volt RE . | 29.95 |
| 14431B | Cable, starter relay to starter 12 volt RE | 17.95 |

WIRING LOOMS & REPAIR LOOMS

- | | | |
|--------|--|--------|
| 14296B | 56 License plate extension wire on cont. kit | 15.95 |
| 14302R | Wire, coil to distributor. | 4.95 |
| 14305R | Wiring ass'y, generator to voltage regulator 57 | 24.95 |
| 14308R | Wire ass'y, horn ring to engine loom . . | 30.95 |
| 14309R | Wire ass'y, heater switch to motor | 16.95 |
| 14322R | Wire ass'y, loom to oil sending switch . | 7.95 |
| 14382R | Wire ass'y, tranny overdrive loom | 34.95 |
| 14388R | Wire, heater switch, with fuse holder . . | 16.95 |
| 14401 | Wire ass'y, instrument panel to dash panel 55-56 | 421.00 |
| | 57 | 421.00 |
| 14401B | Clip, wire loom as original | 3.25 |

WIRING & REPAIR LOOMS CONT.



- | | | |
|---------|---|---------|
| 14401DX | Firewall to eng. comp. repair assy. 55. . | 129.95 |
| 14401EX | Firewall to eng. comp. repair assy. 56. . | 134.95 |
| 14401FX | Firewall to eng. comp. repair assy. 57. . | 134.95 |
| 14401GK | Terminal end repair kit for eng. comp. 55 | 24.95 |
| 14401HK | Terminal end repair kit for eng. comp. 56 | 26.95 |
| 14401IK | Term. end repair kit for eng. comp. w/molded horn relay end 1957. | 29.95 |
| 14405KK | Relay plug pigtail (horn) 1957 | 12.95 |
| 14405AR | Wire loom, rear tail lamp, 55 | 74.95 |
| 14405BR | Wire loom, rear tail lamp, 56 | 86.95 |
| 14405CR | Wire loom, rear tail lamp, 57 | 86.95 |
| 14415A | Wire license Lite, wire in Truck Lid, 55 . | 7.95 |
| 14415B | Wire license plate light to loom, 56 . . . | 11.95 |
| 14429 | Fuse, cigar lighter. | Inquire |
| 14445 | Wire ass'y, horns to relay 57 only. | 23.95 |
| 14445R | Wire ass'y, between headlights and voltage regulator 55-56. | 59.95 |
| 14476R | Wire loom neutral switch | 34.95 |
| 14495R | Wire ass'y, coil to resistor. | 5.95 |

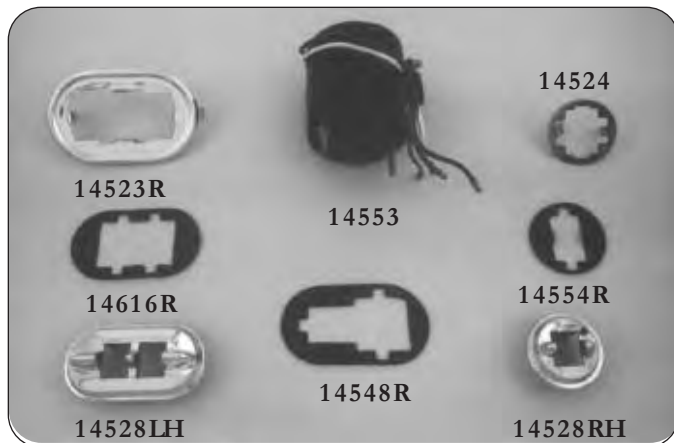
WIRING JUNCTION BLOCKS, INNER FENDERS & DASH



- | | | |
|---------|--|-------|
| 14448AR | Junction block, turn signal under dash . | 17.95 |
| 14448BR | Double junction block LH fender, 55,57 | 18.95 |
| 14448CR | Single junction block RH fender, 55, 56 | 13.95 |

*Prestige Thunderbird
Gift Certificates Available Now*

Wiring, Windows & Seats



- 14523R** Plate, window regulator switch, chromed, attaches to LH door panel to receive #14528 housing multipletype . . . **21.95**
- 14524** Plate, window regulator switch mounts to door panel to receive switch housing #14528-RH **7.75**
- 14526A** Breaker, power seat and window regulator, electrical circuit 6V, 15AMP, power seat. **11.95**
12V, 15AMP, power seat, power window, Dial-O-Matic seat **11.95**
12V, 30AMP, power seat, Dial-O-Matic seat **11.95**
- 14526B** Fuse Kit; by industry number, each. **1.75**
- 14526C** Kit, all necessary inline fuses **6.95**
- 14450R** Clip, rubber coated for tac cable. **1.95**
- 14528** Housing, window regulator switch LH double type **31.95**
RH single type **24.95**
- 14529** Switch, window regulator female type connectors **44.95**
- 14529B** Switch, with male connectors **44.95**
- 14529C** Crossover bar, power window switches **3.50**
- 14547** Motor, electric seat, 6V, new **249.95**
- 14547R** Motor, electric seat 12V, new **249.95**
- 14574C** Motor, electric seat, Dial-O-Matic 57 . . . **195.00**
- 14548R** Gasket, power seat switch housing . . . **4.20**
- 14550R** Clip-wire loom to firewall **1.95**
- 14553A** Motor, window regulator, new 6 volt . . **Inquire**
- 14553B** Motor, window regulator, new 12 volt. . **249.95**
- 14554R** Gasket, power window switch housing to plate RH **3.95**
- 14570R** Clip-window and seat switches. **2.00**
- 14590R** Wire loom, dash to ground 55-56 **12.95**
- 14608** Retainer, cowl wiring grommet, attaches to firewall **18.95**
- 14616R** Gasket, power window switch housing to plate, LH **3.95**

WIRE LOOMS

POWER WINDOWS & POWER SEATS

- 14628A** Starter relay to breaker on firewall, 55 . . **10.95**
- 14628B** Outside breaker to under dash breaker, 55. **12.95**
- 14630AR** Wire loom - power window RH door, 55 **51.95**
- 14630BR** Wire loom - power window RH door, 56 **51.95**
- 14630CR** Wire loom - power window RH door, 57 **51.95**
- 14631AR** Wire loom - seat and window LH door, 55 **73.95**
- 14631BR** Wire loom - power window LH door, 56 **51.95**
- 14631CR** Wire loom - power window LH door, 57 **51.95**
- 14631DR** Wire loom - 56 window and seat LH . . **69.95**
- 14631ER** Wire loom - 57 window and seat LH . . **69.95**
- 14643AR** Wire loom - power seats, 55. **59.95**
- 14643BR** Wire loom - power seats, 56 57 **59.95**
- 14679B** Wire harness, window safety relay 56-7 **27.95**
- 14689AR** Wire harness, LH door, p/seat only 55 . **30.95**
- 14689BR** Wire harness, LH door, p/seat only 56-7 **32.95**

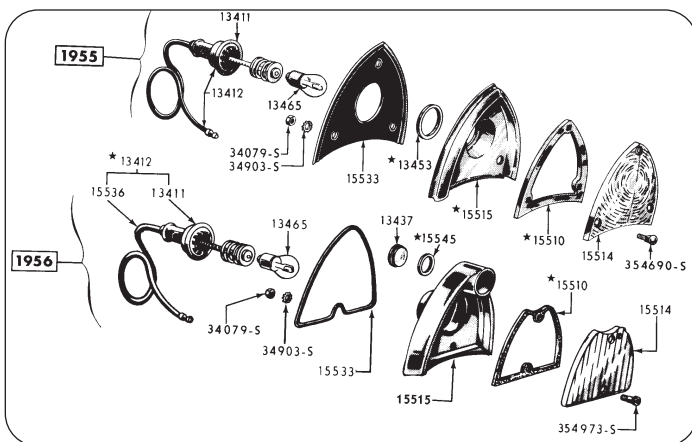
- 14651R** Grommet, inner apron wiring hole **3.95**
- 14685R** Housing - power seat switch **32.50**
- 14A701** Switch, seat regulator control same as 14529A. **44.95**
- 14A701C** Crossover bus bar, power seat switches **9.95**
- 15003R** Gasket, 57 clock. **2.50**
- 15026R** Wire, clock with fuse holder. **17.95**

CIGARETTE LIGHTERS & PARTS



- 15052-12V** Lighter Assy - complete repro - 12V . . . **44.95**
- 15052-6V** Lighter Assy - complete repro - 6V **54.95**
- 15052D** Element only - 6V - cigar lighter. **13.50**
- 15054** Element, cigar lighter **7.95**
- 15055** Socket ass'y cigar lighter RE **9.95**
- 15056K** Knob and shaft only - cigar lighter **21.95**
- 15059** Cigar lighter bezel 55/57. **21.95**

Back-Up Lights, Fenders & Scripts



15540RK Kit, back up light switch bracket and actuator, S/T, contains 1 each 15540 & 15517. 29.95

AUTOMATIC SHIFTER PARTS

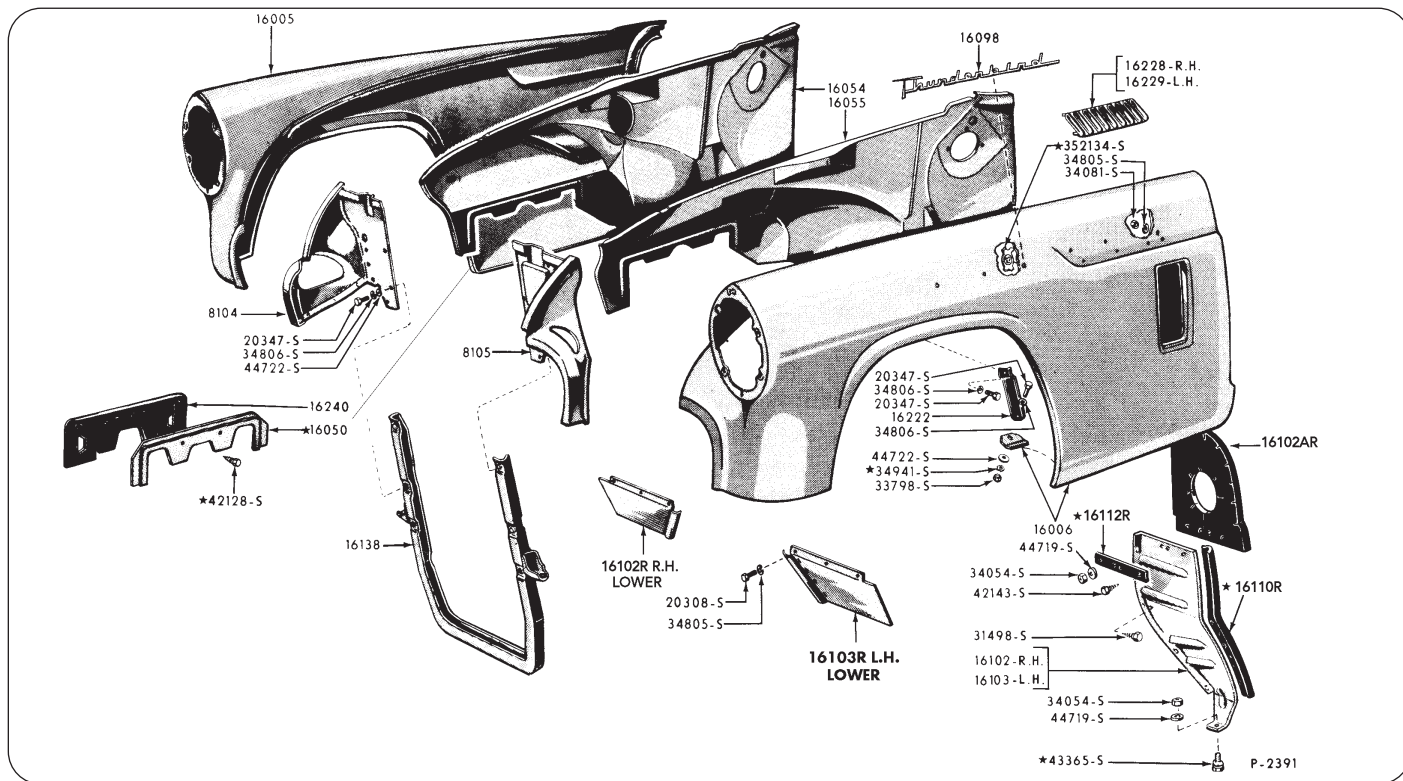
15A801 Shifter Light Assembly 31.95
15805 Lens - auto trans shifter 14.95
15839R Bracket, neutral safety switch 19.95
15840 Shield shifter lens backing plate 19.95

16050R Retainer "A" frame dust shield 22.00
313TB Kit, apron shields (16050) to apron, 8 pcs 2.25



15506R Loom, backup lights shifter to back up lights 24.95
15510R Gasket, back up light lens, specify year 1.60
15514 Lens, back up light, specify year,
 55 (Repro) 10.95
 55 with "FOMOCO" 11.95
 56 (Repro) 10.95
 56 with "FOMOCO" 11.95
15515A Body, back up light 55 34.95
15515B 56, (with reflector) 41.95
15515C 55 Block off plate chrome non back up 22.95
15520 Switch, back-up lamp, standard trans . . 22.50
15533B Block off plate pad 55 3.45
15533R Gasket, back up light to body 55 2.95
 56 2.50

16098 Thunderbird script, front fender, 57 . . . 24.95
241BTB Kit, Thunderbird scripts to body
 57, 10 pcs 2.75
16102 Shield, front fender splash 56, 57 RH . . 54.95
16102R Shield, front fender splash 56, 57 RH
 lower 14.50
16102AR Rubber seal, front fender splash shield .
 56, 57 4.95
16103 Shield, front fender splash 56, 57 LH . . 54.95
16103R Shield, front fender splash 56, 57 LH
 lower 14.50
314TB Kit, lower splash shield to apron, 12 pcs 4.90



Fender Ornaments, Medallions & Hood Parts

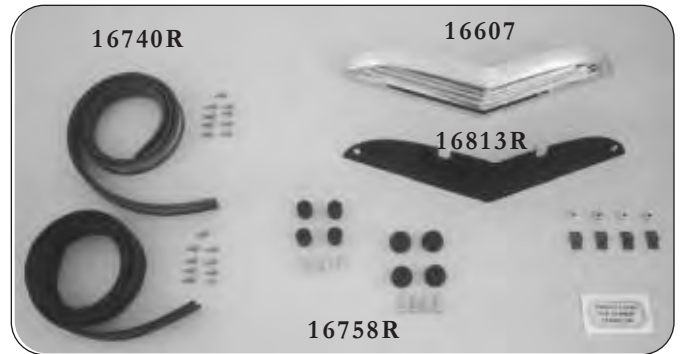
- 16110R** Weatherstrip front fender lower splash shield to fender, 17" long. Set of 2.
56, 57 5.50
- 16112R** Strap front fender splash shield 3.50
- 16222R** Brace, lower fender to frame 11.50
- 351TB** Kit, fender support brackets to aprons & fenders, 18 pcs. 3.60



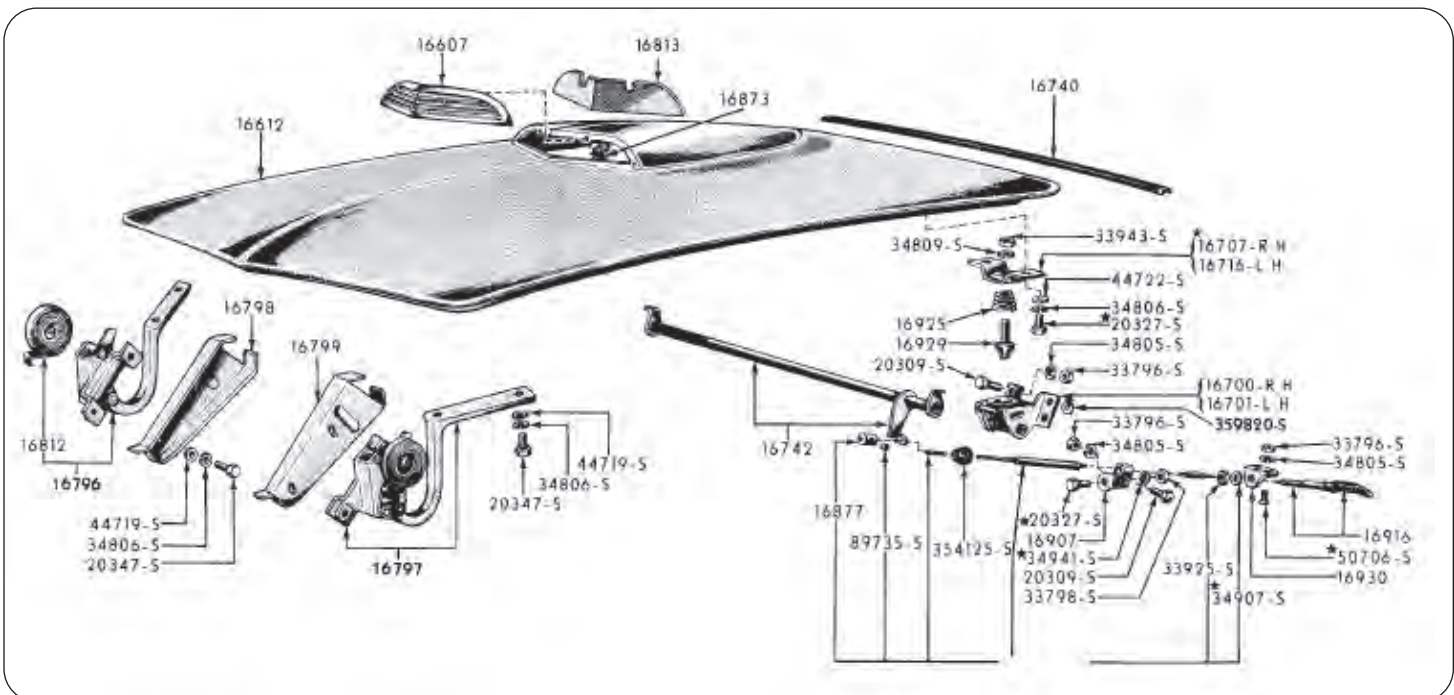
- 16228** Ornament, front fender chevrons RH . . . 31.50
- 16229** Ornament, front fender chevrons LH . . . 31.50
- 240TB** Kit, louver trim to front fenders, 12 pcs 2.50



- 16237R** Emblem, V-8 front fender 55. 19.95
- 16240R** Seal, front fender apron shield 4.50
- 16241** Clip radiator grill molding (8419) state year 1.60
- 16254** Weatherstrip, front fender apron to frame, rear, set of 2 4.50
- 16377R** Spring, fuel door hinge state year each. 4.95



- 16607** Grill, hood front. 79.50
- 245TB** Hood emblem (16607) to hood, includes 16873 spacers, 8 pcs. 8.95
- 16700AR** Spring, hood lock catch ass'y 4.50
- 16700BR** Pin, hood latch hinge, replace this rivet pin when you replace the springs - 2 piece design, easy to install, each . . . 12.95
- 16740R** Hood pad, with attaching drive nails, specify year 6.50
- 16758R** Bumper, hood, set of 4, state 56 or 57 . 5.50
- 16789R** Spring, soft top main pivot, 2 required
Early type, 7" long, 1" dia. each 11.95
Late type, 4 3/4" long, 1 1/8" dia. each 11.95
- 16812** Spring, hood hinge. 10.95
- 16813R** Kit, cover, attaching hardware, decal, for hood grill 14.95
- 16873** Spacer, hood ornament stud 1.75
- 16877** Hood release cable clamp, replacement 2.95
- 16877R** Hood release cable clamp as original . . 4.95



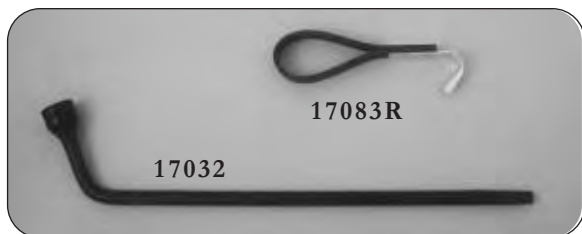
Bumper Jacks, Hood Cables, Speedo Cables & Gears

HOOD CABLE



- 16907 Bracket - hood release cable to firewall 13.50
- 16916R Hood release cable and housing, as original 41.95
- 146TB Kit, hood release cable bracket to dash, 4 pcs 1.80
- 16930A Bracket - hood release cable chrome 55, 56 16.95
- 16930B Bracket - hood release cable Black 57 10.95

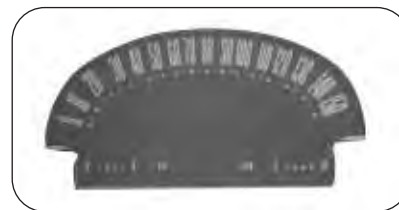
- 16921R Spring, con't kit lever ass'y 4.50
- 16925R Spring, hood latch 3.95
- 16929 Dowel, hood lock Inquire



- 17032 Wrench, jack handle 24.95
- 17080 Jack and base ass'y bumper, 55, 56 RE . Inquire
- 17083R Strap, jack hold down, as original. 18.95
- 17115R Bumper jack hook 57. 145.00
- 17198R Deflector, front bumper stone end, RH 57 fiberglass. 69.95
- 17199R Deflector, front bumper stone end, LH 57 fiberglass. 69.95
- 17200R Spacer, front bumper end L or R 57 13.95
- 17202 Deflector, front bumper stone, center chrome 57 169.95
- 17204R Brace, front bumper end, RH 57 53.95
- 17205R Brace, front bumper end, LH 57 53.95
- 17228C Bracket, rear bumper, outer, RH, 57 53.95
- 17229C Bracket, rear bumper, outer, LH, 57 53.95
- 17248AR Seal, speedometer chrome trim ring, 57 1.25
- 17248BR Seal, small instrument chrome trim rings 57 1.25

SPEEDOMETER PARTS, CABLES GEARS & LENSES

- 17255RB Rebuilt speedometer (must rebuild yours) 295.00
- 17260 Cable & housing, speedometer; w/F/M, S/T or O/D trans 55 29.95
- w/F/M, S/T 56 29.95
- w/F/M, S/T 57 43.95
- w/O/D 56, 57 39.95



- 17265R Dial, speedometer, face 55, 56 47.95
- 17292 Retainer clip, speedometer driven gear, 57 3.30
- 17298 Oil seal, speedometer gear bearing . . . 1.95
- 17310AR Dash clusters retainers 55-56, 4 per car. 14.95
- 17314 Chrome washers for turn signal indicators 55, 56 9.95
- 17314B Bezel - turn signal indicator 55/56 ea . . 19.95

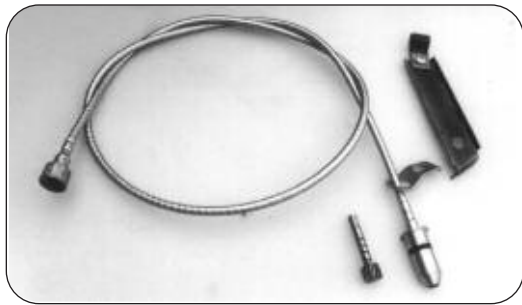


- 17319R 55-56 Speedometer dome plastic. 29.95
- 17322 Gear, speedometer driven, 55, 56 21.95
- 57 F/M. 21.95
- 57 OD 21.95
- 17323RB Speedo Angle Drive rebuilt, exchange only 55-56 145.00
- 17323R New Speedo Angle Drive outright 259.00
- 17360RB Rebuilt tachometer (exchange only) . . . 210.00
- core charge 250.00



- 17361 Tachometer face, RE 55-56 19.95
- 17361AR Tachometer needle, 55-56. 11.95
- 17362A Clock face, 55-56 19.95
- 17362B Clock face, 57 11.95

Windshield Wipers & Washer Systems



- 17364R Bracket & clip tachometer cable, 55 only . 11.95
- 17365 Cable, tachometer 44.95
- 17374 Gear, tachometer, drive 36.95
- 17383 "O" ring, tachometer gear oil seal95

WINDSHIELD WIPERS & WASHERS

- 17450 Wiper Arm Retainer Plate and Spring . . 9.50
- 17470 Wiper switch cable assembly 62.95



- 17508 Motor, windshield wiper, new. 295.00
- 17508RB Wiper motor rebuilt exch. 149.95
- core charge 100.00
- 17512R Wiper control bezel nut 57. 12.95
- 17513R Knob-wiper control 15.95

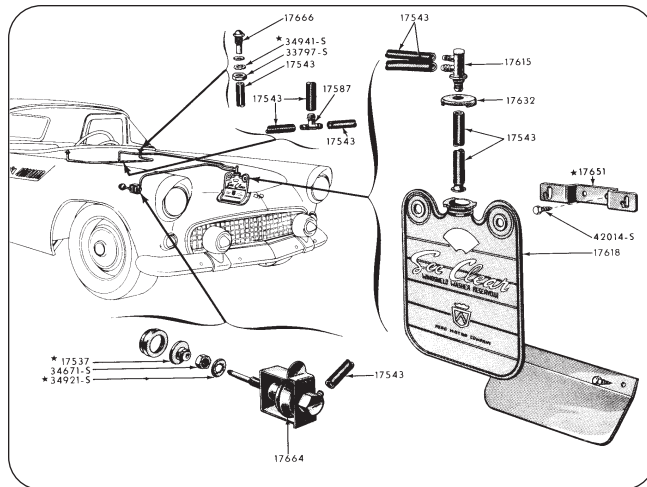


- 17514NT Nut for wiper bezel each 12.95
- 17514R Spacers, windshield wiper mounting, outer, chrome, pair. 27.95



- 17526 Arm ass'y, windshield wiper, like original RH or LH each. 31.95
- 17526R Replacement wiper arm, close to original ... 19.95
- 17528R Wiper blade - exact reproduction of the original Trico each 33.95
- 17528 Blade, windshield wiper, replacement. . 19.95

WASHER SYSTEM



- 17537AR Pedal pad washer pump. 7.95
- 17537BR Washer pump pad base 15.95
- 17537C Washer pump pad clip 1.75
- 17541R Washer, windshield wiper arm to pivot shaft, leather 1.25
- 17543 Hose kit, enough for entire windshield wiper system 9.95
- 17562R Grommet, wiper arm link. 1.30
- 17580 Hose kit, enough for entire windshield washer system 9.95
- 17A601 Tee, windshield washer hose 1.95
- 17615 Tee, windshield washer reservoir bag to hoses 16.95



- 17615 17632 17664
- 17618 Reservoir, windshield washer, as original, specify year 26.95
- 17632 Cover, windshield washer reservoir. . . . 4.95
- 17651R Bracket, windshield washer reservoir mount 12.95
- 17652R Shield, windshield washer reservoir, lower. 6.95

Mirrors, Bumperettes & Bumper Brackets

- 17664R Diaphragm only, must re-use your
knuzzle nuts & hardware 9.95
- 17664C Windshield washer pump assy
55 Thru early 57. 83.95
- 17666R Nozzle, windshield washer jet, like
original, pr. 29.95

MIRRORS



- 17696R Mirror, outside rear view, exact
reproduction of the original
specify year 39.95
- 17696AR Gasket, outside rear view mirror. 1.75
- 17700AR Mirror, inside rear view 31.95
- 17700BR Mirror, inside rear view with bracket. . . 42.95
- 17700BRF Mirror, inside rear view with FOMOCO
Base 46.95
- 17700CR Bracket for inside mirror w/fomoco
marking. 16.95
- 17700DN Day-night mirror w/out base 74.95

BUMPERS



- 17736 Bracket, front license plate mounting
55, 56 18.95
- 17757 Bumper, front 55 995.00
- 17758 Bolt, bumper, specify if for bumper
guard on 55-56 (longer) with lock
washer & nut 2.95
- 17759R 55 & 56 wedge space and sleeve
bumper guard (pair). 8.75
- 17779 Deflector, front bumper stone 55-56 **Inquire**
- 17808AR Deflector, rear bumper stone, pair 56 8.00
- 17808B Deflector, rear bumper stone, 57. 12.95

- 17906 Bumper, rear 55 995.00
- 17984R Bumper guard rear RH
without insert **Inquire**
- 17985R Bumper guard rear LH
without insert **Inquire**
- 17996R Bumper guard front RH
without insert **Inquire**
- 17997R Bumper guard front LH
without insert **Inquire**



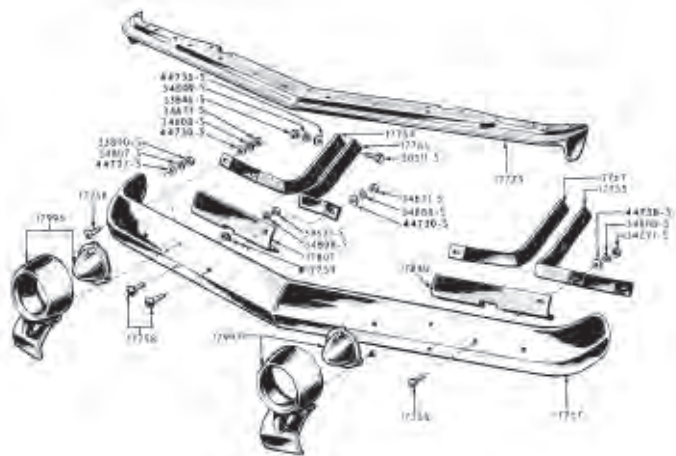
BUMPER BRACKETS

- 17204R Brace, front bumper end, RH 57 53.95
- 17205R Brace, front bumper end, LH 57 53.95
- 17228C Bracket, rear bumper, outer, RH, 57 53.95
- 17229C Bracket, rear bumper, outer, LH, 57 53.95
- 17668B Bracket, rear bumper, center, RH 56 39.95
- 17669B Bracket, rear bumper, center, LH 56 39.95
- 17675B Bracket, rear bumper, inner, LH, 56 20.95
- 17676B Bracket, rear bumper, inner, RH, 56 20.95
- 17754A Bracket, front bumper outer RH 55, 56 53.95
- 17754C Bracket, front bumper, outer, RH, 57. 53.95
- 17755A Bracket, front bumper outer LH 55, 56 53.95
- 17755C Bracket, front bumper, outer, LH, 57. 53.95
- 17766A Bracket, front bumper inner RH 55, 56 53.95
- 17766C Bracket, front bumper, inner, RH, 57. 53.95
- 17767A Bracket, front bumper inner LH 55, 56 53.95
- 17767C Bracket, front bumper, inner, LH, 57. 53.95
- 17787A Bracket, rear bumper, inner, RH, 55 53.95
- 17787B Bracket, rear bumper, inner, RH, 56 53.95
- 17787C Bracket, rear bumper, inner, RH, 57 53.95
- 17788A Bracket, rear bumper, inner, LH, 55 53.95
- 17788B Bracket, rear bumper, inner, LH, 56 53.95
- 17788C Bracket, rear bumper, inner, LH, 57 53.95
- 17789B Bracket, rear bumper, outer, RH or LH, 56 53.95
- 17795A Bracket, rear bumper, outer, RH, 55 53.95
- 17795B Bracket, rear bumper, center, RH, 56. 53.95
- 17795C Bracket, rear bracket, center, RH, 57. 62.95
- 17796A Bracket, rear bumper, outer, LH, 55 53.95
- 17796B Bracket, rear bumper, center, LH, 56. 53.95
- 17796C Bracket, rear bumper, center, LH, 57. 62.95
- 17807 Jacking plate - RH front 55,56. 39.95
- 17840 Jacking plate - LH front 55, 56 39.95
- 17910 Bumper shim, 57 rear, each 3.95
- 17918A Jacking plate - RH rear 55 41.95
- 17918B Jacking plate - 56, rear RH or LH 41.95
- 17918C Jacking plate - RH rear - 57 41.95
- 17919A Jacking plate - LH rear 55. 41.95
- 17919C Jacking plate - LH rear 57. 41.95

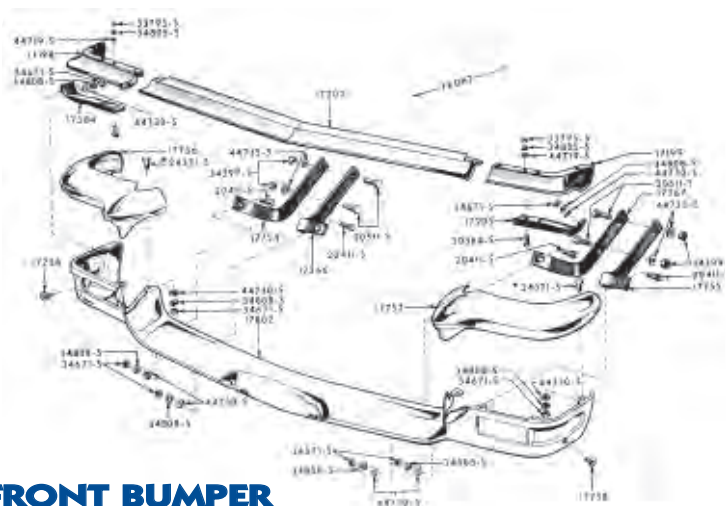


- 17984AR Insert, rear bumper guard 55 (early) 99.95
- 17984BR Insert, rear bumper guard 55 (late) 99.95
- 17996AR Bullet cone, front bumper guard 55-56 99.95

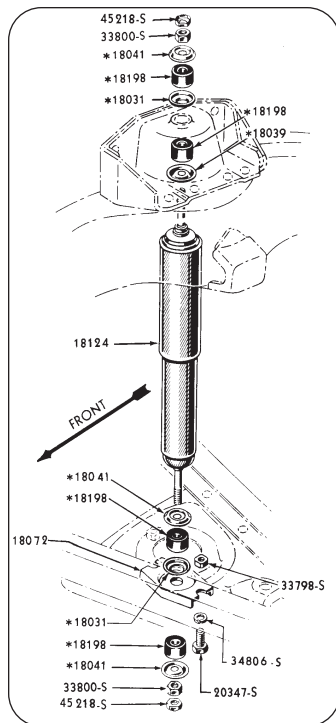
Bumpers



55, 56 FRONT BUMPER

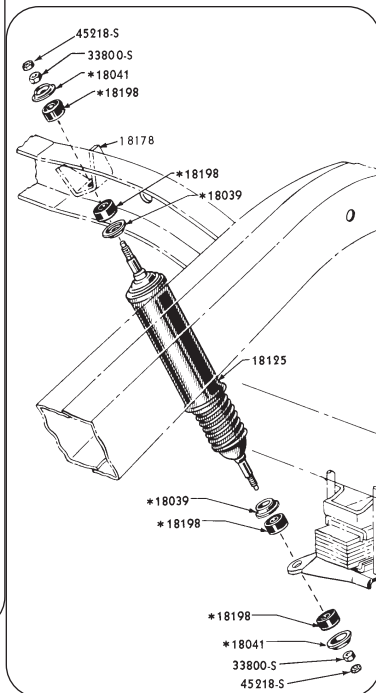


Shocks, Clocks, Heating Cores & Defrosters



FRONT SHOCK

REAR SHOCK



18374 Clocks - We can now solve your clock repair problems and run down batteries. NO more running fast or slow, with our Quartz inner workings installed in your original 55, 56, 57 clocks. Looks identical to original in all detail
 exchange only 55 - 6V 265.00
 56 - 12V 245.00
 57 - 12V 245.00
 (1 year warranty)

HEATER & DEFROSTER

18456-RK Heater motor wire repair kit 16.95
18457R Deflector heater inlet 8.95
18471 Chamber, heater air plenum, made from ABS plastic, the best reproduction 63.95
18472 Hose, heater 5/8" enough for stock installation (for clamps, see 18572R) . . . 17.95

18072R Bracket, lower front shock mount. 14.95

18124 Front shock absorber, heavy duty . . 44.95
18125 Rear shock absorber, heavy duty . . 44.95

18124KYB Heavy duty front gas shock to control unwanted sway 69.95

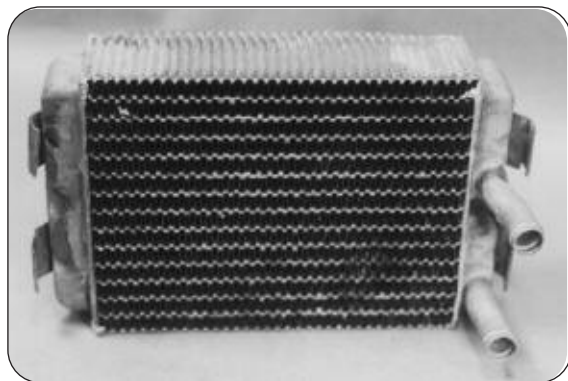
18124BIL Bilstein Shock 139.95

18125KYB Heavy duty rear gas shock to control unwanted sway 69.95

18125BIL Bilstein Shock 139.95

18125AR Spring fits over lower portion of rear shocks, pair 4.95

18198 Kit, bushing repair, shock absorber mounting. 6.95



18476RE Core, heater, replacement for the original 174.95

18480AR Seal, back of heater door, felt 2.95

18480BR Seal, defroster duct, felt 3.70

18481R Bracket, heater/vacuum hose, mounts to RH inner apron 5.95

18489 Duct, heater to blower, square 22.95

Heater System

- 18495 Valve, heater water control (exact reproduction). . . . 79.95
- 18502 Valve, heater temperature regulator, Rebuilt Exchange. .85.00 (Core Charge). . . . 75.00



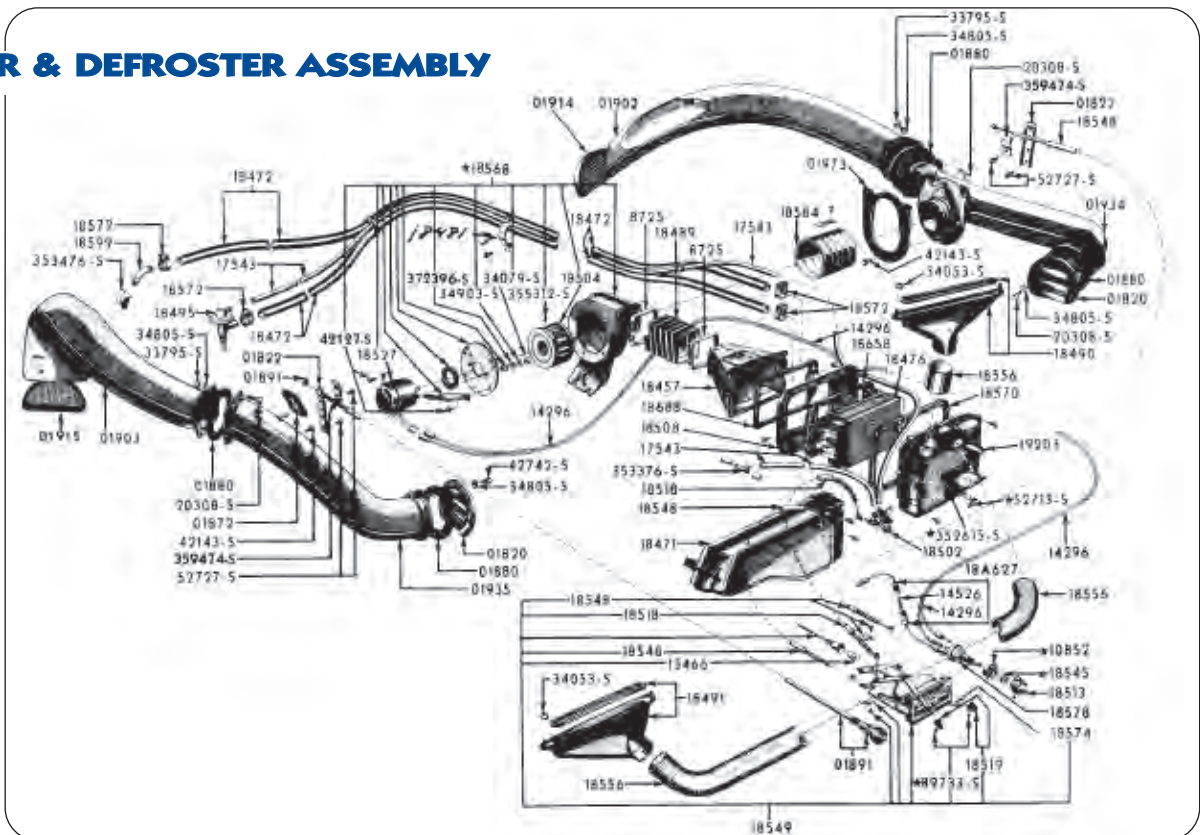
MANUAL HEATER VALVE KIT



18495RK This kit replaces both the water valve on the intake manifold and the vacuum valve in the heater plenum chamber with a mechanical valve in-line on your heater hose, but is still operated with the original lever. An inexpensive alternative to a reliable working heater, complete with easy to follow instructions . . . 74.95

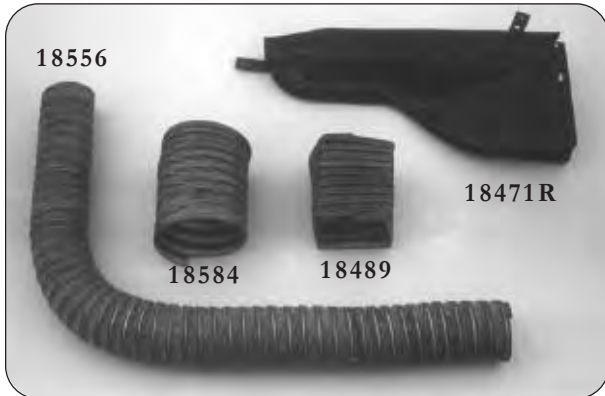
- 18504 Squirrel cage heater fan blower 24.95
- 18513R Knob ass'y, blower control 17.95
- 18518AR Cable, heater temperature control 18" . . . 13.95
- 18518BR Cable, RH Vent control, 39 1/2" 19.95
- 18519AR Knob, heater, 55 11.95
- 18519BR Knob, heater, 56-57 10.95
- 18527 Motor, heater blower 12V (56-57) 169.95
- 18528R Grommet, blower motor control 4.40
- 18541R Wire and socket heater control light . . . 14.95
- 18548C Clip, heater control cable retainer. 2.25
- 18548R Cable, heat/defrost control, 15". 13.95
- 18549R Mounting clip, heater control ass'y to dash 8.95
- 18550R Chrome heater face on dash. 38.95
- 18556 Hose, defroster. 24.95
- 18568AR Heat shield blower motor. 17.95
- 18568BR Plate, heater blower motor mounting . . . 17.95
- 18570R Gasket, heater to firewall 2.95
- 18570RK Gasket kit, heater 3 pc. 7.95
- 18572 Clamp, power steering and power brake booster vacuum hose 4.45
- 18572B Scissor Clamp for heater hose, like original .60
- 18574R Heater level kit, chrome arm and rivet plate 20.95
- 18575 Heater control arm, upper 20.95
- 18578 Switch ass'y, blower motor. 29.95

HEATER & DEFROSTER ASSEMBLY

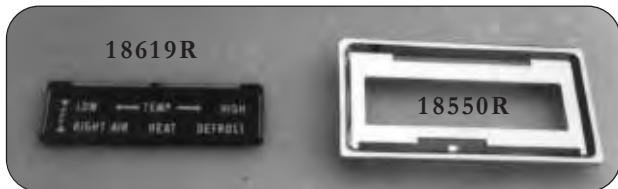


Toll Free U.S. & Canada (800) 423-4751 or (562) 944-6237 • FAX (562) 941-8677

Heater Ducts, Radio Tubes & Antenna



- 18584 Duct, blower to air valve, round 15.95
- 18584AR Strap, vent duct to blower 2.95
- 18599 Elbow, water pump to heater hose 13.95



- 18619R Faceplate, heater control ass'y, plastic . . . 12.95
- 18620R Plate, between heater face plastic and housing 7.95
- 18A627 Heater blower switch wire to ignition . . . 16.95
- 18658R Gasket, heater core to case 2.75
- 18688R Gasket, heater case to blower duct 2.75

RADIO TUBE KIT & SPEAKERS

- 18805AR Radio on/off switch, Motorola Town & Country Radio Inquire



- 18805AK Radio tube set, 55, 8 tube set Inquire
- 18805BK Radio tube set, 56, 9 tube set Inquire
- 18805CK Radio tube set, 57, 9 tube set Inquire
- 18806 Radio to ignition wire with fuse holder. 14.95
- 18807R Speaker wire 15.95
- 18808A Speaker, radio 21.95

ANTENNAS

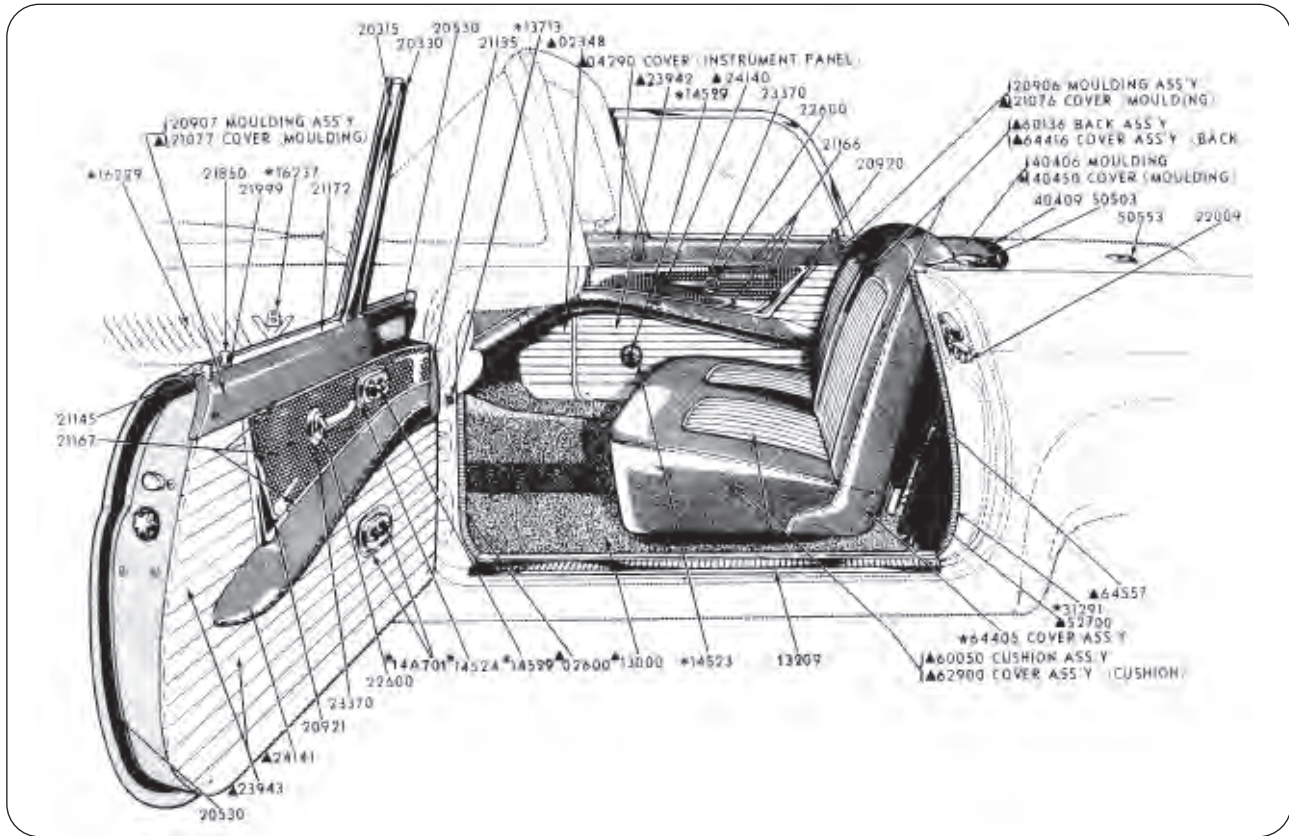


- 18813R Antenna, radio, complete with mounting kit 62.50
- 18813RD Rear deck antenna 99.95
- 18829D Knob - radio control - D shaft 15.95
- 18829S Knob - radio push on for Split Shaft . . . 15.95
- 18830B Bezel, radio knob 10.95
- 18869R Compensator, radio volume, as original 57 only 36.50
- 18870R Ground clip, radio noise suppressing, brass, attaches to front cowl at hood seal. #16740R 55. 3.75
56 3.75
- 18888/90 Radio support brackets - pair 56/57 . . . 12.95
- 18912 Grommet, antenna lead in seal, and plug for pillar post screw access hole in dog leg area of doors. 3.25
- 18918R Pad antenna stanchion 2.95
- 18919 Stanchion, radio antenna 10.95
- 18954 Tie band, heater hose aluminum. 2.95
- 19203 Knob, heater core vent door. 9.95

DASH KNOBS



Doors & Trim



DOORS & TRIM

20314A	Pillar, door chrome post RH, 55	195.95
20315A	Pillar, door chrome post LH, 55	195.95
20314B	Pillar, door chrome post RH 56, 57	195.95
20315B	Pillar, door chrome post LH 56, 57	195.95
20320R	Pillar, post upper bracket RH	13.95
20321R	Pillar, post upper bracket LH	13.95
20518	Weatherstrip, early hard top over the window, RH	109.95
20519	Weatherstrip, early hard top over the window, LH	109.95



DOOR WEATHER STRIPPING

20330	Weatherstrip, door pillar	2.95
20530	Weatherstrip, door RH (The Best)	32.50
20531	Weatherstrip, door LH (The Best)	32.50
20570	Weatherstrip, door at belt, inside, RH	3.80
20571	Weatherstrip, door at belt, inside, LH	3.80
20572	Retainer door W/S 57 RH	13.25
20573	Retainer door W/S 57 LH	13.25
20768	Wire loom protector RH door	33.95
20769	Wire loom protector LH door	33.95

20906R	Garnish body, door window, metal reproduction RH	52.95
20907R	Garnish body, door window, metal reproduction LH	52.95
20920R	Molding "L" door trim, rear RH	15.95
20921R	Molding "L" door trim, rear LH	15.95
20922	Garnish rail bracket, each	15.95
21032R	Retainer, lower door trim panel, 57 RH	14.95
21033R	Retainer, lower door trim panel, 57 LH	14.95
21134	Spacer, door trim molding, RH	44.95
21135	Spacer, door trim molding, LH	44.95
116TB	Kit, screws, door mouldings spacers (21134-5) to door, 16 pcs	3.25
21136R	Piping, door panel trim (see upholstery)	13.50

Door Latches, Strikers, Handles & Ignition Locks



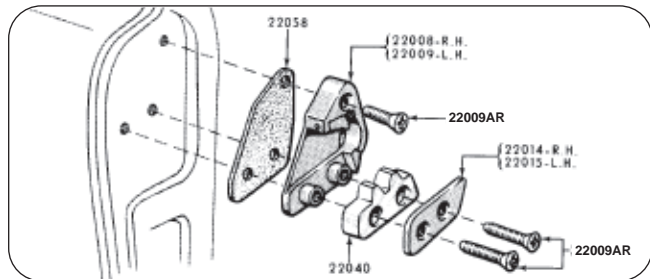
21812RB	Door lock ass'y rebuilt (exchange)	89.00
21813RB	Door lock ass'y rebuilt (exchange)	89.00
	core charge	100.00
21818R	Remote, control arm assembly RH	51.95
21819R	Remote, control arm assembly LH. . . .	51.95
21850R	Knob, door lock pull, exact reproduction	8.95
21852R	Rod, door lock button	11.50
21910	Spring, door latch remote	5.25
21971	Lever, door lock cylinder	6.95
21999	Grommet, door lock knob	1.20
22007A	Spring, Trunk Lock Flip Lid 55.6.	3.50
22007B	Spring, Trunk Lock Flip Lid 57	3.50

DOOR & IGNITION LOCK SET

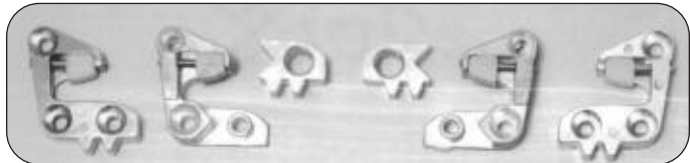
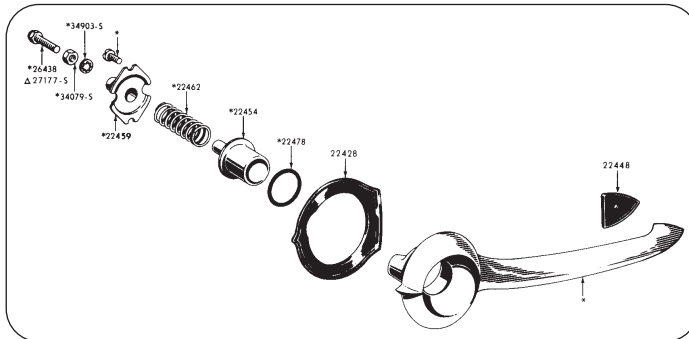


22050	Cylinder & key set, includes: 1-11582, 1-21984, 1-21984, 1-21985, 2-21971, 2-22075, 2 keys	79.95
22023R	Retainers, door lock, LH & RH set	10.95

22058	Shim, striker plate	1.95
22075	Spring, door lock operating lever65
22224R	Door glass stainless RH	249.00
22225R	Door glass stainless LH.	249.00



STRIKER PLATES



22008	Plate, door lock striker RH 55.	20.95
22008R	Plate, door lock striker RH 56-57	21.95
22009	Plate, door lock striker LH 55.	20.95
22009R	Plate, door lock striker LH 56-57.	21.95
22009AR	Attaching screws, striker plate ea	1.50
22014R	Plate, door lock striker auxiliary RH 56-57	16.95
22015R	Plate, door lock striker auxiliary LH 56-57	16.95

22400R	Handle, door outside RH & LH.	44.95
22428	Pad, outside door handle, large	1.40
22448	Pad, outside door handle, small	1.25
22454AR	Button ass'y, outside door handle, 55-56	41.95
22454BR	Button ass'y, outside door handle, 57. . .	41.95
22478	Seal, door outside handle button	1.25



22600	Handle, door inside 55-56	28.95
	57	28.95

Toll Free U.S. & Canada (800) 423-4751 or (562) 944-6237 • FAX (562) 941-8677

Door Parts, Skirts, Body Ornaments

DOOR & WINDOW HANDLE REMOVING TOOL

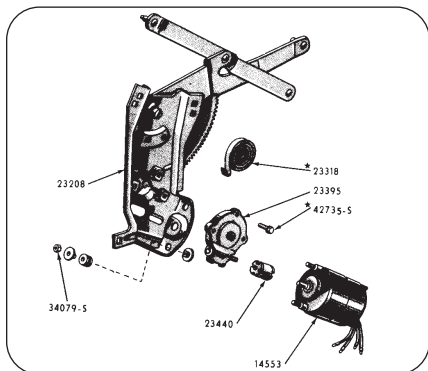


- 22601T Tool, to remove door & window handles 10.95
- 22624D Spring, door handle, (between door panel and door) 1.65
- 22624W Spring, window handle (between door panel and door) 1.65

DOOR HINGES, REBUILT OR REPAIR YOUR OWN

- 22810BR Door hinges, we rebuild your worn loose door hinges with overside pins to operate as new, exchange only, each hinge ass'y 89.95
core charge 50.00
- 22840 Pin, oversize, door hinge, used to rebuild worn hinges, each 12.95

- 23208A Complete power window kit for 55-57 12 volt 1,095.00
- 23202 Regulator, door window, RH 55-57 115.95
- 23203 Regulator, door window, LH 55-57 115.95
- 23220R Cover plate, door window regulator access hole RE 16.95
- 23240 Roller, window regulator (The Best) 8.50
- 23279R Coupling power seat motor 10.95
- 23318M Spring, manual window regulator ass'y 9.95
- 23318P Spring, power window regulator ass'y 9.95
- 23342 Handle, window regulator 55-56 28.95
57 31.95
- 23370 Plate, window & door handle, nylon 2.95
- 23395R Gear kit, power window trans 54.95
- 23395B Bearing, power window trans 9.95



- 23440R Coupler, power window motor 14.95

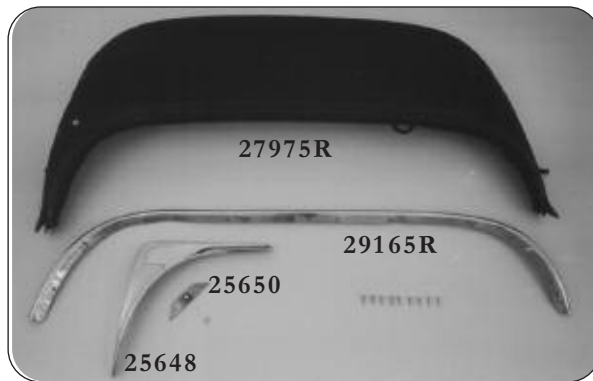
- 23504R Lever-door arm check. 10.95
- 23943PTK Door panel attaching kit. 16.95
- 24140R Armrest base ass'y, fiberglass body, RH. 84.95
- 24141R Armrest base ass'y, fiberglass body, LH. 84.95



- 25622 Script, "Thunderbird", rear quarter panel w/clips 55-56 27.95
- 25648R Stone guards, fender skirt, with attaching clips, paid 99.95
- 25650 Bracket, stone guards retainer. 4.45



- 25662 Medallion, plastic, ford crest, used with #25666 20.95
- 25666 Retainer, metal crown, Ford crest, with barrel nuts, used with #25662 20.95
- 242TB Kit, clips, crest medallion (25666), 4 pcs for 2) 1.25
- 27840 Rear quarter panel, RH 56 Inquire
57 Inquire
- 27841 Rear quarter panel, LH 56 Inquire
57 Inquire
- 27840R Patch panel, lower section of rear quarter RH 55-57 275.00
- 27841R Patch panel, lower section of rear quarter LH 55-57 275.00



- Skirt Kit**, complete w/molding & Seals 635.00
- 27974K Fender skirts, less mouldings, RH & LH 353.00
- 27980R Brackets, fender skirt retaining 29.00
- 27986 Seal, fender skirt, rubber 8.95
- 29164 Molding, fender skirt, lower, RH 78.00
- 29165 Molding, fender skirt, lower, LH 78.00
- 231TB Kit, skirt lower molding, to skirt, 18 pcs 2.95

NEW

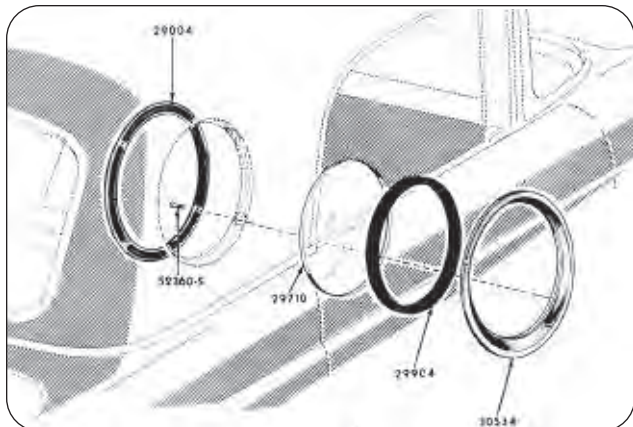
Toll Free U.S. & Canada (800) 423-4751 or (562) 944-6237 • FAX (562) 941-8677

Port Holes, Rear Garnish, Fuel Door, Trunk

- 28611 Lid, fuel tank filler, 57 **Inquire**
 251BTB Kit, gas filler lid to hinge 57, 3 pcs **1.00**

- 136TB Kit, upper back panel garnish moulding (40408-9) to body, 16 pcs. **8.95**
 40628 Lid, fuel tank filler 55-56. **65.00**
 40639R Bumpers, fuel door, set of 2, 55-56. **3.95**
 57 **3.95**

PORTHOLE PARTS & KITS



- 29004 Inside porthole rings, pair **48.95**
 150TB Kit, porthole rings to hardtop, 8 pcs **2.45**
 29710CR Glass, port-hole, clear with FoMoCo **17.95**
 29710TR Glass, port-hole, tinted with FoMoCo **18.95**
 29904R Seal, port-hole glass, rubber **3.95**



- 30000PTK Port-hole kit, complete with instructions, the glass, inside and outside rings, spacers, new 4 bow headliner, template and instructions **395.00**
 30500R Spacer-port hole pair **134.95**
 30534R Ring, outside port-hole chrome, pair **79.95**
 31262R Tack strip kit, interior 1/4 panel **3.95**

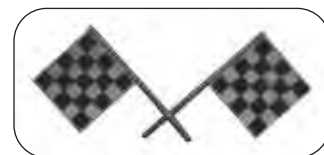


- 40406R Rear garnish molding clip. **9.95**
 40406FR Rear garnish body - fiberglass. **134.95**
 40408/9R Rear garnish stainless LH & RH. **99.95**

FUEL DOOR HINGES & SPRINGS



- 40635R Hinge, fuel door less springs 55-56. **46.00**
 40635BR Hinge, fuel door less springs 57 **44.95**
 42006R Rear window glass, tinted. **315.00**
 42084 Weatherstrip, back window glass **42.95**
 42430K Rear window stainless, RH & LH **342.00**



- 42450R Clip, rear window trim joining **8.95**
 42550R Insignia crossed flags, with attaching clips 55 **13.50**

TRUNK



- 42701 Spring, trunk lid, stronger than the originals to keep trunk lid fully open **16.95**

Trunk Locks & Handles

57 TRUNK HANDLE



- 43500R Handle, trunk 57 34.95
- 42530 Plastic insert, rear deck handle 57. 14.95

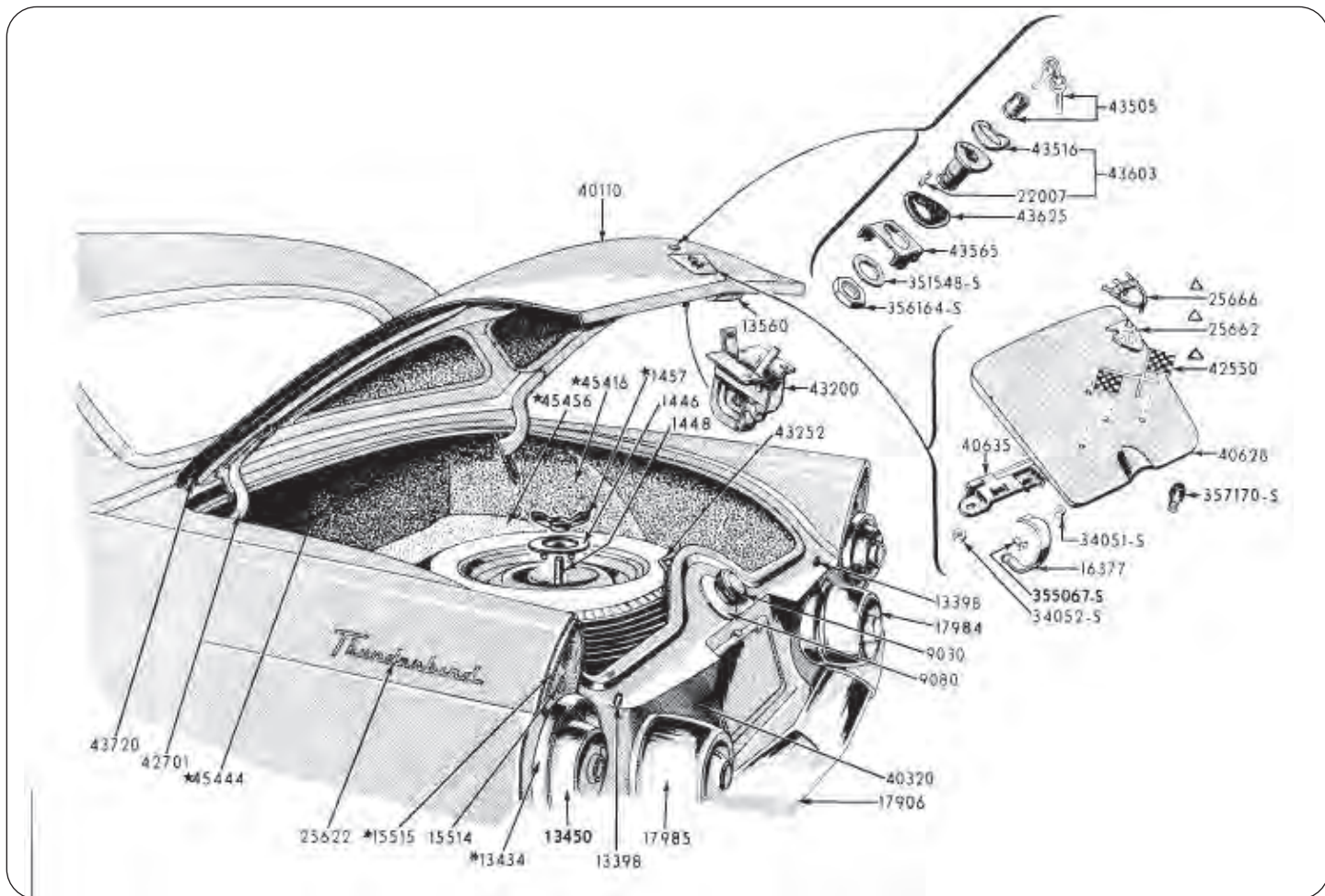
TRUNK LOCKS & RELATED PARTS



- 43226R Trunk lock release, 57 3.95
- 43505 Cylinder & keys, trunk lock 22.95
- 43516A Flip lid, trunk lock housing, 55-56 15.95
- 43516B Flip lid, trunk lock housing, 57. 15.95
- ***NOTE: For flip lid springs see 22007
- 43564R Spacer, trunk deck lock sleeve, 57 8.50
- 43603 Sleeve, trunk lock 55-56 36.95
- 57 36.95
- 43603NT Nut, trunk cylinder sleeve. 1.95
- 43625R Pad, trunk lock sleeve & cylinder
specify year 3.95

**PRESTIGE GIFT
CERTIFICATES
GIFT GIVING
MADE EASY**

<i>Prestige</i> THUNDERBIRD		Date _____
Gift Certificate		\$ _____
<small>Upon presentation of this Gift Certificate, may select a gift of the value of _____ Dollars</small>		
Presented by _____		Signature _____



Trunk

TRUNK WEATHER STRIP

43720 Weatherstrip, trunk lid 22.95



TRUNK MATS

55



45455R-55 Trunk mat rubber, exact reproduction of original 55 **Inquire**

45456AR Trunk mat set, simulated Burtex vinyl with padding. Easy to clean, non absorbent, fits 55 and 56, comes with curtain **89.95**

56



45455R-56 Trunk mat & hanging curtain, rubber used on 56's until 6/56 exact reproduction **299.00**

45456BX Burtex trunk mat, as original for late 56, original material and design **Inquire**

57



45457AR Trunk mat set, 4 pieces, simulated Burtex vinyl with padding, includes floor mat, 2 wheel house covers, & hanging curtain, 57 **99.95**

45457BX Burtex trunk mat, like original for 57, complete with curtain. **Inquire**

TRUNK SIDE CARDBOARDS

55, 56



57



45415R Trunk side cardboard set, RH & LH pieces die cut for exact fit, specify year **14.95**

170TB Kit, trunk side cardboards to body, 57 13 pcs **2.70**

45444R Center trunk divider board, ready for paint, 55 only. **11.95**

171TB Kit, trunk divider board screws. **1.75**

Carpet trunk mats, call for colors and prices

Hard Top Clamps, Receivers & Moldings



- 50220 Weatherstrip, hard top, on deck, RH... 46.95
- 50221 Weatherstrip, hard top, on deck, LH... 46.95
- 50270R Medallion, non-port hole top, 57 23.95
- 50292R Retainer, non-port medallion, 57 16.95
- 50298 Weatherstrip, hard top, on deck, center. 46.95
- 50336 Weatherstrip, hard top rain seal 16.95
- 50373R Soft top stainless end retaining bracket LH. 5.70
- 50374R Soft top stainless end retaining bracket RH. 5.70



- 50500AR Top clamp, side, hard & soft top 55-56. 79.95
- 50500BR Top clamp, side, hard & soft top "T" handle type 57 79.95
- 50500JR "J" hook, side clamp, all years 16.95
- 50508AR Top clamp, front, soft top, 55-56. 79.95
- 50508BR Top clamp, front, hard top, 55-56. 79.95
- 50508CR Top clamp, front, soft top, "T" handle type 57 79.95
- 50508DR Top clamp, front, hard top, "T" handle type 57 79.95
- 50508JR "J" hook, front clamp, all years . . . 16.95

- 50503 Side deck plates. Worn sections repaired, finished & replated to look & function as new, exchange only 65.00



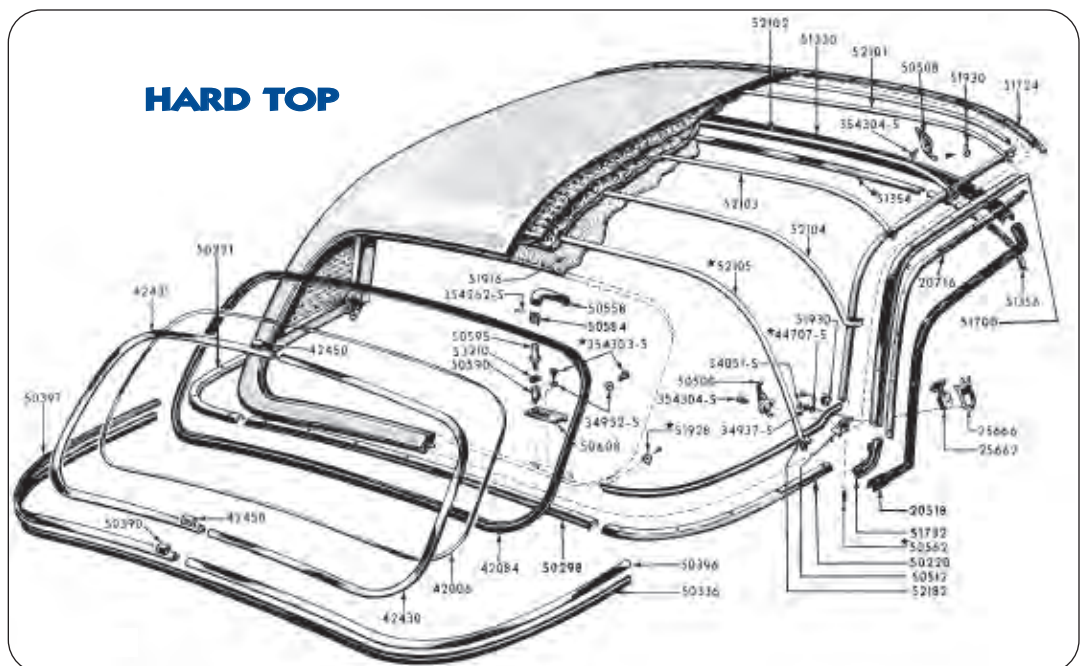
- 50530R Front clamp receiver on windshield . . . 16.25



- 50534R Deck plate gaskets, all years. 1.95
- 50552AR Rear deck top clamp receptacle, RH 55. 47.50
- 50552BR Rear deck top clamp receptacle, RH 56. 47.50
- 50552CR Rear deck top clamp receptacle, RH 57. 47.50
- 50553AR Rear deck top clamp receptacle, LH 55 . 47.50
- 50553BR Rear deck top clamp receptacle, LH 56 . 47.50
- 50553CR Rear deck top clamp receptacle, LH 57. 47.50

HARDTOP STAINLESS MOLDINGS

- 42430K Rear window stainless, RH & LH 342.00
- 50390 Clip, hard top lower molding joint 7.95
- 50396 Rear molding at deck RH 123.00
- 50397 Rear molding at deck LH 123.00
- 51700 Over door molding RH. 101.00
- 51701 Over door molding LH. 101.00
- 51724 Front header molding 123.00
- 51732 Lower corner at door RH 45.00
- 51733 Lower corner at door LH 45.00



Top Clamps & Seals

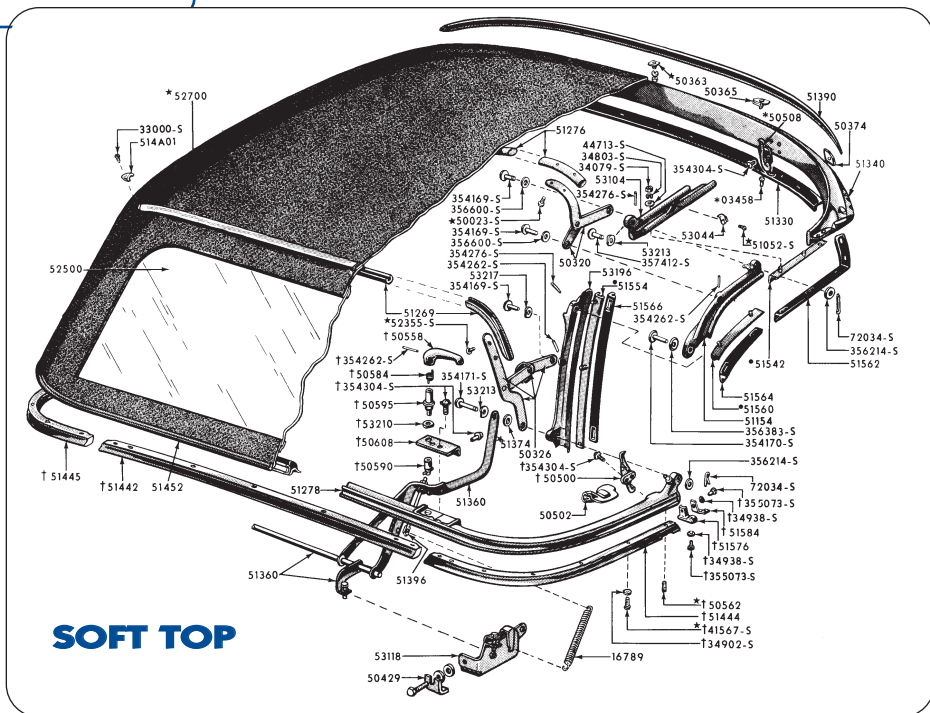
HARD TOP & SOFT TOP REAR CLAMP PARTS & COMPONENTS

50558AR	Lever, rear clamp, RH, soft and hard top, "dog leg" type 55-56.	40.95
50558BR	Lever, rear clamp, RH, soft and hard top, late 56, 57 "straight"	40.95
50559AR	Lever, rear clamp, LH, soft top & hard top, 55-56, "dog leg" type.	40.95
50559BR	Lever, rear clamp, LH, soft top & hard top, late 56-57, "straight".	40.95
50562	Pin, hard top side locating pin	10.95
50584AR	Spring, rear clamp, RH, used with "dog leg" type lever 55-56	4.25
50584BR	Spring, rear clamp, RH, used with "straight" type lever late 56-57.	4.25
50585AR	Spring, rear clamp, LH, used with "dog leg" type lever 55-56	4.25
50585BR	Spring, rear clamp, LH, used with "straight" type lever 56-57.	4.25
50590AR	Fastener, hard & soft top bullet, 55.	13.95
50590BR	Fastener, hard & soft top bullet, before May 56	13.95
50590CR	Fastener, hard & soft top bullet, after May 56 thru 57.	13.95
50595AR	Stud, rear clamp, fits "dog leg" type lever 55-56.	11.95
50595BR	Stud, rear clamp, fits "straight" type lever 56-57.	11.95
50608R	Plate, rear clamp ass'y, RH	24.50
50609R	Plate, rear clamp ass'y, LH	24.50

51222	Weatherstrip, hard top, over door window, RH.	103.95
51223	Weatherstrip, hard top, over door window, LH.	103.95
51276PR	Soft top strap retaining plate w/screws	5.95
51278AR	Tack strip, soft top rear replacement, 8' length.	31.95
51278	Tack strip, extruded vinyl, soft top first and third bow	19.95
51330	Weatherstrip, early hard top, soft top, front header, 43 1/2" long.	98.95
51330	Weatherstrip late hard top 54" long.	98.95
51360R	Swingarm bar, soft top, with feet	525.00
51374R	Sleeve, for pin attaching fold down bar to soft top, each.	5.95
51390R	Soft top, front stainless.	235.00
51396R	Eye bolt, soft top fold down bar.	2.95
514A00	Wireon tip soft top, outside, RH.	7.95
514A00	Wireon tip soft top, outside, LH.	7.95
51442	Weatherstrip, soft top, rear center of deck	51.00
51444	Weatherstrip, soft top, rear, curved on deck RH.	64.50
51445	Weatherstrip, soft top, rear, curved on deck LH.	64.50
51562/7RK	Over the window soft top 6 piece set.	210.95
51928	End, headliner wire-on border trim, RE.	3.95
51930R	Corner, headliner wire-on border trim stainless	8.95

**Also Available
Complete
Reproduction
Convertible
Soft Tops**

*See Front Of Catalog For
More Information*



Seat Belts & Soft Top Recovering Kits



- 53118R S/T swing arm foot RH. 79.95
- 53119R S/T swing arm foot LH. 79.95
- 53118AR Adj. bolt fold down foot. 3.95



- 60477AR Tube kit, for power seat worm gear, plastic tube, cardboard spacer and hose clamp 13.95
- 61062R Pads, seat stop, see description in upholstery section, pair 9.75

SEATBELTS



- 611A72 Seatbelts (pr.) specify year and color . . . 99.95
- 61755 Handle, manual seat adjuster 16.95
- 61828R Spring, power seat frame, 2 required each 7.95
- 62190R Cable, manual seat track. 19.95
- 62198 Shield, seat adjusting lever 8.95



- 76001S8R Door hinge check lever pin, replacement for rivet pin at front door post that must be destroyed to remove door, removable, with keeper clip 2.95

SOFT TOP CHROME PINS

Soft top chrome hinge pins. New, and ready to replace worn and rusted hinge pins. Listed by Ford number.

- 354169-S Each 6.25
- 354170-S Each 7.25
- 354171-S Each 8.00
- 357412-S Each 6.95



Complete set of removable chrome hinge pins for soft tops

- CPS-1 55 type (6-354169-S, 2-354170-S, 2-354171-S, 2-357412-S) 69.95
- CPS-2 56 and 57 type (10-354169-S, 2-354170-S, 2-354171-S, 2-357412-S) 89.95

Rivet pin replacement kit. Every soft top has 6 riveted permanent type hinge pins. These can now be ground off and replaced with these new removable replacements.

- RPK-1 Set of six 35.95
- 356214-S Washer, soft top pin40
- 356600-S Washer, soft top pin75

SOFT TOP RECOVERING KITS IN VINYL & CANVAS

Ready to install:
includes all trim, with zipper type rear window.

- Black, Tan, Dark Blue canvas (Stafast, the best). 820.00
- Black vinyl with black underside. 549.00
- White vinyl with natural underside 549.00
- White vinyl with black underside. 549.00

For Original Top

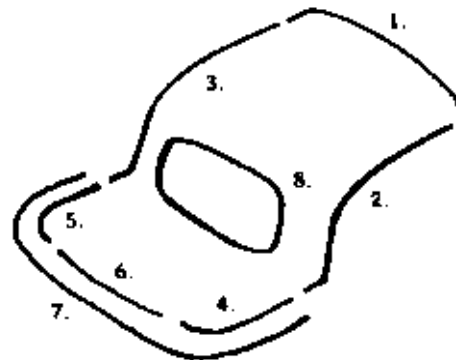
Hard Top & Soft Top Seal Kits

HARD TOP WEATHER STRIP

* Note: Our kits include the rear window seal #42084

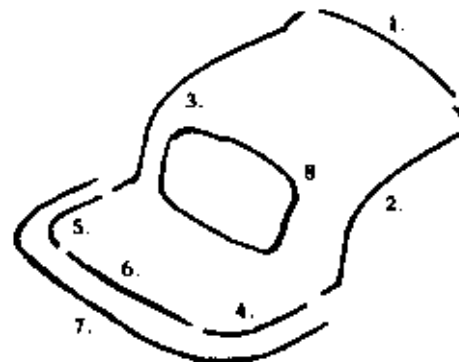
- 51500** Complete set also includes rear window seal 459.00
- 1. 51330A Front header, 54" long
 - 2. 51222 RH, over the window
 - 3. 51223 LH, over the window
 - 4. 50200 RH, curved, on deck
 - 5. 50200 LH, curved, on deck
 - 6. 50298 Center, on deck
 - 7. 50336 Rain seal, at bottom of top on deck
 - 8. 42084 Rear window seal
- 152TB Kit, Hardtop weatherstrip to top, 51 pcs . . . 7.40

LATE 56 & 57 HARDTOP SEAL KIT



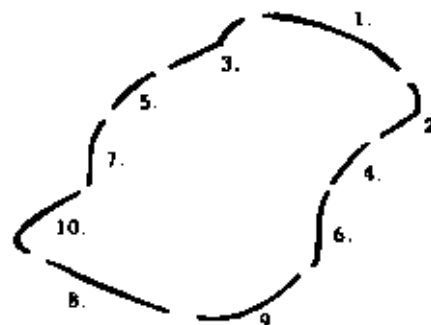
- 51501** Complete set also includes rear window seals 459.00
- 1. 51330 Front header, 43 1/2" long
 - 2. 20518 RH, over the window
 - 3. 20519 LH, over the window
 - 4. 50220 RH, curved, on deck
 - 5. 50221 LH, curved, on deck
 - 6. 50298 Center, on deck
 - 7. 50336 Rain seal, mounts into stainless trim at bottom of top on deck
 - 8. 42084 Rear window seal
- 152TB Kit, Hardtop weatherstrip to top, 51 pcs . . . 7.40

55 & EARLY 56 HARDTOP SEAL KIT



- 51502** Complete set 420.00
- 1. 51330 Front header 43 1/2" long
 - 2. 51562
 - 3. 51563
 - 4. 51564
 - 5. 51565
 - 6. 51566
 - 7. 51567
- } Replaced by 51562/7RK
199.95
- 8. 51442 Center, on deck
 - 9. 51444 RH, curved on deck
 - 10. 51445 LH, curved on deck

SOFT TOP WEATHER STRIP



OTHER HARD TOP ITEMS

- 51928** End, headliner wire-on border trim, RE 3.95
- 51930R** Corner, headliner wire-on border trim, stainless as original. 8.95
- 52300** Headliner and wire-on, white or black perforated design as original, Specify 4 bow or 5 bow type 93.95
- 52300TS** Tac strip for hardtop headliner, replaces worn out lacing to insure proper installation of headliner 19.95

HARD TOP BOWS

- 52101PTK** Metal bows, hard top, for suspending headliner in top 4 bow set 51.95
- 5 bow set. 59.95
- 52200** Screw kit, inside of hardtop, re-new corroded clamp and wire-on screws, 30 pieces total, with lock washers where applicable 8.95
- 52250** Screw kit, hard top weatherstrip, all the screws necessary for complete weatherstrip installation 7.95

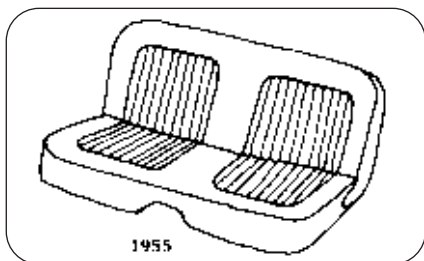
Upholstery

UPHOLSTERY

Your Thunderbird deserves only the highest quality and most authentic upholstery available. Our years of experience with restoring Thunderbirds has taught us that the T-Birds with the original vinyl grains, color, and design for all the interior upholstery material will score the highest in a Concour.

SEAT COVERS

The seat covers have the correct number of pleats and the proper design for each year, along with being constructed with vinyl and thread that are slightly heavier than original, for good wear.



1955

1955 (complete with cover, hinge booties, backrest wings)

Black & White	359.00
Red & White	359.00
Green & White	359.00
Black & Yellow	359.00



1956
With Embossment

1956 (complete with cover, hinge booties, backrest wings)

Black & White	379.95
Red & White	379.95
Peacock & White	379.95
Buckskin Tan & White	379.95
Sage Green & White	379.95

Seat foam

Restore your seat to original condition using our preformed foam back and bottom (the best) 425.00

Seat frame paint

Special paint mix to match the original color of your seat frame hardware. Specify year.
15 oz. aerosol can. 9.95

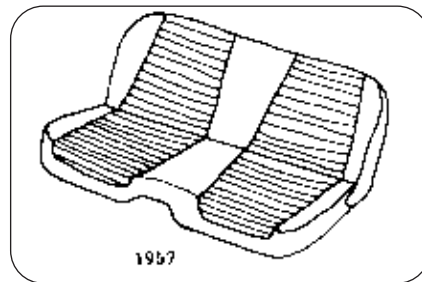


1956



1957

Seat Embossment, all of the 1956s and the early 1957s had an "Embossment" in the center of the backrest. The 56 was a Ford crest, and the 57 was a Thunderbird Logo; see illustrations. We are proud to offer these Embossments to the car owner who wants that little extra touch of authenticity. 30.00



1957

1957 (complete with cover, hinge booties, backrest wings)

Black & White	379.95
All White	379.95
All Red	379.95
All Bronze	379.95
Two tone Blue	379.95
Two tone Green	379.95

Seat Backrest Cardboard

Die cut with vinyl binding on edges (sold only in conjunction with seat covers) 46.95

120TB Screw kit, seat back cardboard to seat. 6.90



Upholstery

Door Panels

As original, matched fabric and heat seamed design on die cut board for an exact look and fit.

1955 - White or Yellow	
1956 - White	
1957 - White	
55,56, per pair, white	185.00
All other colors & white 57.	230.00
110ATB Kit, door panels to door 55/56, 30 pcs.	11.50
110BTB Kit, door panels to door 57, 28 pcs.	10.95

Kick Panels

As original matched fabric, exact fit

1955 - White or Yellow	
1956 - White	
1957 - White, Red, Bronze, Willow Green, Starmist Blue	
55,56, per pair, white	92.00
All other colors & white 57	110.00

Quarter Panel

Fits between door post and

rear wheel well per pair	46.00
135TB Kit, Quarter trim panels to body, 20 pcs	2.70

Garnish Rail set

Vinyl strips to cover door garnish rails and rear deck garnish rail. Set

Drop Curtain

Curtain behind seat, complete with snaps

Tonneau Cover/Drop Curtain Combination

Complete with snaps, as original

Arm Rest Covers

Vinyl covers, properly sewn with die cut cardboard to staple to. Per pair.

Windlace Set

Four pieces of windlacing to attach to door posts, front and rear. Set

Sun Visors

Reproduction of the original padded sun visors. Proper vinyl grain and color for 56 and 57 complete with "S" bracket.

56 White only, per pair	176.00
57 White, red, blue, bronze, green per pair	176.00

Dash Cover

Vinyl covering for 55 and 56 dashes, sewn as original

Padded dash 57 (see #04290)

Vinyl Floor Cover

Sewn piece that is glued to floor behind seat and in front of drop curtain. 1955 10.50
1956, 1957 24.50

Carpet

As original, nylon pile, complete with jute padding, cloth binding and wheel and toe scuff pads. 185.00

Headliner

Headliner and wire-on, white perforated design as original. Specify 4 bow or 5 bow type. 102.00



COMPLETE INTERIOR KITS

Everything you need to completely renew your interior and give it that freshly restored look. Pieces included as listed.

1957

Seat upholstery, seat back cardboard, door panels, kick panels, quarter panels, garnish set, drop curtain, arm rest covers, windlace, floor vinyl, carpet, piping bead 1108.00
Seat embossment, add. 30.00

Extra Interior Items

Padded dash, reproduction 479.95
Sunvisors 176.00

1956

Dash cover, seat upholstery, seat back cardboard, door panels, kick panels, quarter panels, garnish set, drop curtain, arm rest covers, windlace, floor vinyl, carpet, piping bead 1108.00
Seat embossment, add. 30.00

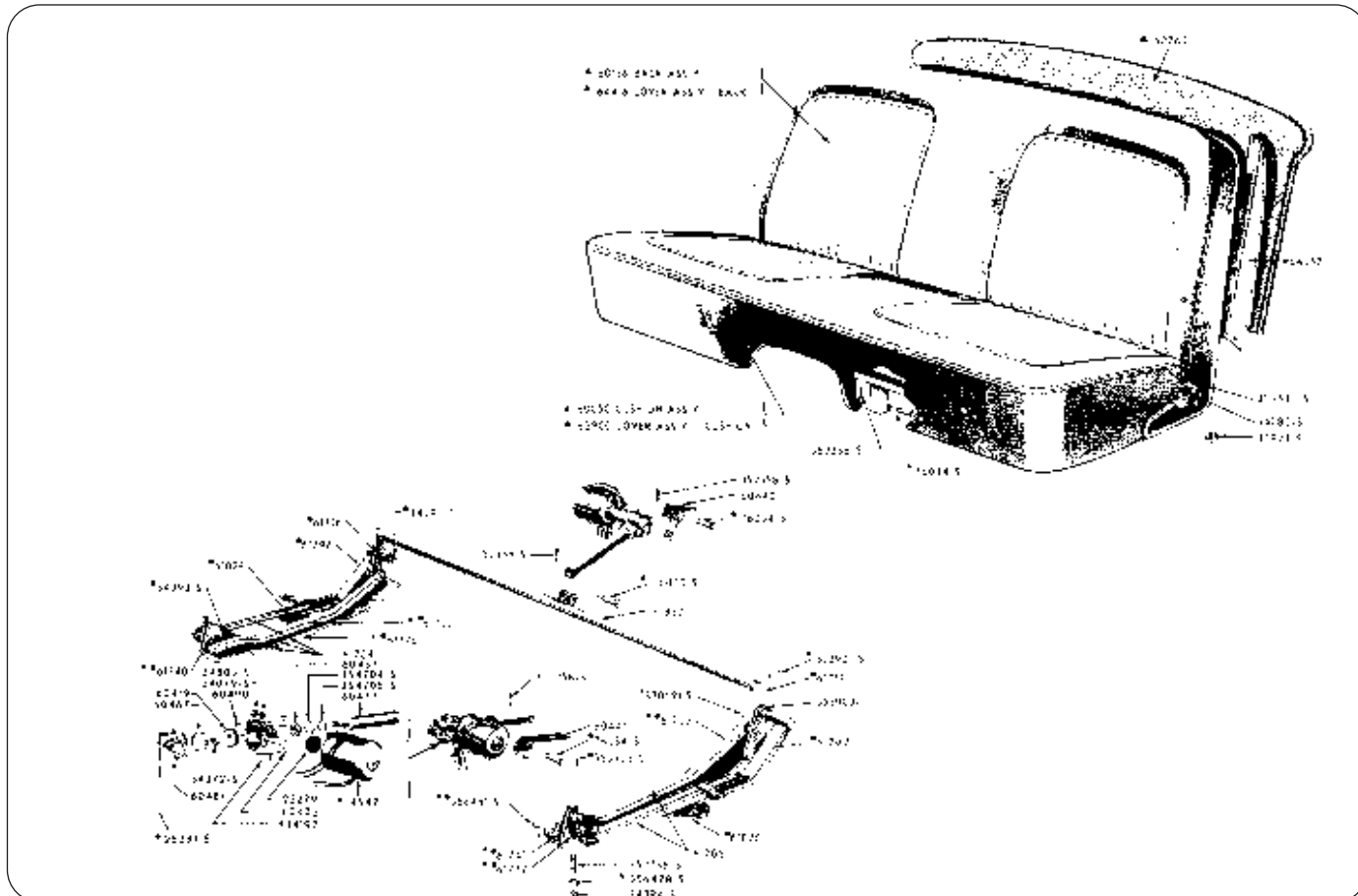
Extra Interior Items

Sunvisors 176.00

1955

Dash cover, seat upholstery, seat back cardboard, door panels, kick panels, quarter panels, garnish set, drop curtain, arm rest covers, windlace, floor vinyl, carpet, piping bead 1095.00

Upholstery, Continental Kits



UPHOLSTERY EXTRAS

Other items that are related to the interior that may be needed to complete your restoration.

- | | | |
|----------------------|--|---------------|
| 21032R | Retainer, lower, door trim panel, RH 57 | 14.95 |
| 21033R | Retainer, lower door trim panel, LH 57 | 14.95 |
| 21334AR | Door panel dished washer, for attaching spacer (21134) to door panel | 2.95 |
| 21136R | Piping bead, runs between door panel spacer and aluminum trim panel, enough for both doors, specify color of interior. | 13.50 |
| 23943AR | Precut plastic sheet for door w/gluing instructions | 5.00 |
| 23943PTK | Door panel attaching kit, all the hardware pieces necessary to attach door panel and related trim to door, enough for both doors. Specify year | 16.95 |
| 24140R | Armrest, fiberglass body, RH. | 84.95 |
| 24141R | Armrest, fiberglass body, LH. | 84.95 |
| 24141AR | Foam for armrest, specify RH or LH 55-56 | 3.50 |
| Floor Deadner | under carpet. | 23.95 |
| DYNA-MAT | Floor insulation kit. | 130.00 |

CONTINENTAL KITS

It's finally here, a 55, 56, 57 continental kit that makes sense. This all inclusive kit is all new and not to be confused with the rest. It is complete down to the last nut, bolt and washer. Also you don't have to have an advanced degree in engineering to understand the simple instructions or have 4 years experience as a custom body man to install it yourself. Kit comes complete with easy to follow instructions, and for those who have good mechanical aptitude is simple to install

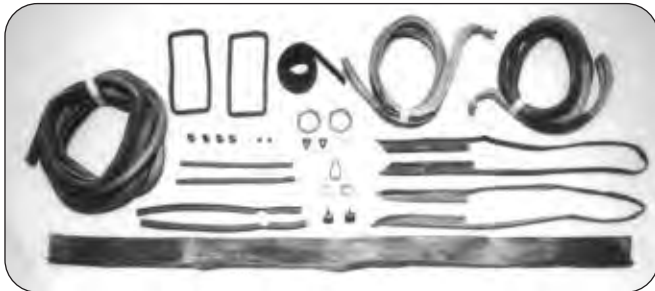
- | | |
|----|---------|
| 55 | Inquire |
| 56 | Inquire |
| 57 | Inquire |

<i>Prestige</i> THUNDERBIRD		Date _____
Gift Certificate		\$ _____
<small>Upon presentation of this Gift Certificate, may select a gift of the value of _____ Dollars</small>		
Presented by _____		Signature _____

PRESTIGE GIFT CERTIFICATES GET YOURS TODAY!

Re-Painting Kits, Air Conditioning

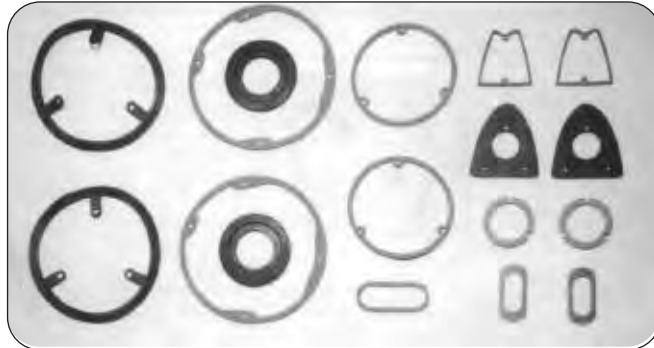
REPAINTING WEATHER STRIP KIT



K-5 Body Weatherstrip Kit. Renew all the weatherstrip on your T-Bird's body. Includes weatherstrip, pads and rubber bumpers as numbers: 02158(2), 13398 (2), 16740, 16758, 17541 (2), 17808, 20330 (2), 20530, 20531, 20570, 20571, 22428 (2), 22448 (2), 22478 (2), 27986 (2), 40639 (2), 43625, 43720 55 all listed except 02158, 16758 and 17808.

55	149.00
56	175.00
57	169.00

REPAINTING BODY GASKET KIT



K-7 Body Gasket Kit. Renew those brittle cork and rubber gaskets with a complete kit for the entire car. Items included: 13044 (2), 13211 (2), 13217 (2), 13420 (2), 13461 (1), 13568, 15510 (2), 15533 (2), 50534 (2)

55	49.95
56	49.95
57 all listed except: 15510, 15533	33.95

BODY CHROME & LENS TRIM KIT



57 Pictured

K-6 Body Trim Kit. Improve the appearance of your T-Bird and give it a fresh look with all new exterior lenses and chrome trim. items included as numbered: 13208, 13209, 13450 (2), 13564, 16228, 16229, 16607

1955	All the above, plus: 16237 (2), 25622 (2) 25662 (2), 25666 (2), 42550 (2), 15514 (2).	439.00
1955	Kit with "FOMOCO" tail light lenses . . .	455.00
1956	All the above plus: 8218, 8259, 15514 (2), 25622 (2), 25662 (2), 25666 (2)	439.00
1956	Kit with "FOMOCO" tail light lenses and back-up lenses	459.00
1957	All the above plus: 8218, 8259, 13489 (2), 16098, 42530, 43500 with back up lights (repro).	469.00
1957	Kit with "FOMOCO" on tail light lenses without backup lights	439.00

AIR CONDITIONING



K-3 Air Conditioning. This custom designed system is the answer for classic T-Bird air conditioning. The rotary compressor requires little horsepower, so overheating is minimized and the under-dash evaporator has a clean, simple appearance. There are no idler pulleys and no modifications to the fan shroud or upper radiator hose! This unit comes with brackets, hardware and instructions proven by experience here in our shop. The only way to have air conditioning. Complete kit 1095.00
We recommend replacing your fan with our 7 bladed heavy duty fan 69.95
 Spacer for 7 bladed fan. 19.95

Accessories, Paints & Fan Kits

KITS AND ACCESSORIES



CM-7 License Plate frame, Classic Thunderbird
each **16.95**

K-2 Coolant Recover Kit. Keep your radiator full and prevent coolant loss with this kit. Tank, hoses, and complete hardware with instructions **24.95**

K-4 Electric Fan Kit, resolve your heating problems during parades or stop and go traffic with these electric fans that mount in front of your radiator. Has automatic thermostatic control or manual control. Recommended with air conditioning or without.



Single large fan (with air conditioning) **199.00**



Hard Top Bag.
Protects your hard top from unwanted damage and dirt when being stored off the car. Cover is made of flannel material and completely encloses top. **Inquire**

PAINTS & FLUIDS



Silicone Brake Fluid. We recommend the silicone brake fluid over the glycol fluids. Silicone will not damage paint or brake parts and can be used with the conventional fluids
pint **11.95**

PAINTS

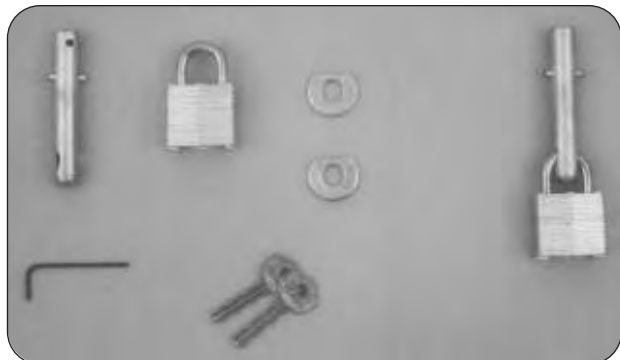
Argent Silver Spray Paint. The correct paint for air cleaner bottoms and power steering reservoirs. . . . **12.95**
Engine Red - Correct color paint for engine block, heads, and manifold.
12 oz aerosol can **12.95**
Swing Arm Paint **12.95**
Seat Frame Paint **12.95**
Spray Contact Adhesive **14.95**
Exhaust Manifold Paint **12.95**

Prestige THUNDERBIRD Date _____
\$ _____
Gift Certificate
M _____
upon presentation of this Gift Certificate, may select a gift of the value of _____ Dollars
Presented by _____ Signature _____

**GIFT GIVING
MADE EASY!**

Tires, Bras, Car Covers, Key Blanks

ANTI-THIEF DEVICES



TL-2 Padlock and pin kit, extended tool steel pin replaces top handle bullet (50590) that reach below rear deck in order to accept a padlock. Then top cannot be lifted from car. Pin, padlock, key and instructions. **29.95**

TR-1 Automatic shifter lock **29.95**



Tote Bag

Made of the same quality material as our truck mats, this bag can be used for toting car cleaners or as an overnight bag. **45.00**



CAR COVERS (The Perfect Gift)



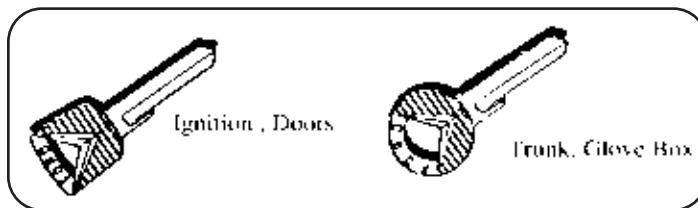
CM-8 Car Cover-Custom made for each year model, elastic sewn in at each end for custom fit.

- CM-8A** Soft cotton. **175.00**
- CM-8B** Flannel backed, the best **265.00**
- CM-8C** Car cover stuffbag **10.95**
- Deck protector **24.95**

BRAS



Protect your paint from unwanted chip marks and bugs with this easy to fit bra. Specify Year **99.95**



Key Blanks each **2.95**



- CM-11.** tires 7.50x14, 4 ply polyester Firestone gum dipped design tire with 2 3/8" whitewall **229.00**
- 6.70X15, 4 ply polyester Firestone gum dipped design 2 11/16 wide whitewall **229.00**

NEW • RADIAL TIRES • NEW

- Wide White Radial Tires P-205/75R 15 **249.95**
- Wide White Radial Tires P-205/75R 14 **249.95**
- BF Goodrich Radial Tire **307.00**
- Inner Tubes, used with wire wheels each **21.95**

Accessories, "E" Model Parts

Great Gift Idea for the Thunderbird Lover!

Mens or Ladies Quartz Battery
Powered watch with gold-plated case
and leather bands **39.95**



CM-3 Rubber Thunderbird Floor Mats. Prolong the life of
your carpet with these floor mats Black **83.95**
Red, Green, Blue, Peacock **83.95**
Carpet floor mats available in all the colors **93.95**
Note: These mats will not bunch up at your feet

HARD TOP HOIST

CM-5 Hard Top Hoist, easy way to remove and store top in
garage. Only one person required to operate this hoist.
Only **86.95**

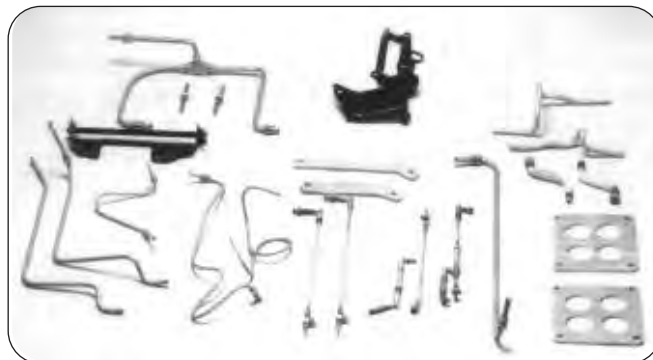


CM-6A T-Shirt - 3 color logo (as on the front of this
catalog) printed on the back of each shirt, with the same
logo in black only on the front just above the pocket
specify color and size M, L, XL, 2XL **10.95**

WAX

CM-2 Automotive Finish Glaze. We recommend this profes-
sional glaze to all our customers to protect their T-Bird
paint finish. This liquid glaze does not build up like paste
wax and contains carunuba wax,
pint **7.95**

"E" MODEL LINES, LINKAGE & ACCESSORIES



- 7A185** Accelerator linkage ass'y, rear bell
crank, F/M. **150.00**
- 7A187CR** Kick down rod "E". **74.95**
- 6519R** Flat valley pan works on "E" model **129.95**
- 9155E** Fuel filter ass'y **495.00**
- 9156ER** Fuel and vacuum line kit **44.95**
- 9518A** Base plate, carburetor, set of two **49.95**
- 9520** Fuel inlet line. **29.95**
- 9600** "E" Model air cleaner assembly. **Inquire**
- 9601** Element, air filter **28.95**
- 9A659** Bolts, air cleaner hold down each. **11.50**
- 9724** Bell crank, center. **135.00**
- 9725A** Lever, Firewall link, must be brazed on
9725 rod ass'y (STD or F/M). **32.95**
- 9747A** Synchronizer, RH **99.00**
- 9747B** Synchronizer, LH F/M. **Inquire**
- 9747C** Synchronizer, LH S/T **Inquire**
- 9820** Choke tubes, set of four. **38.95**

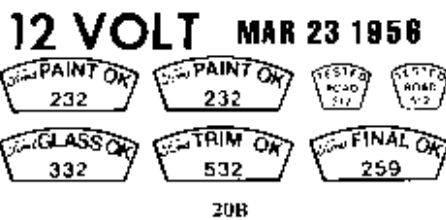
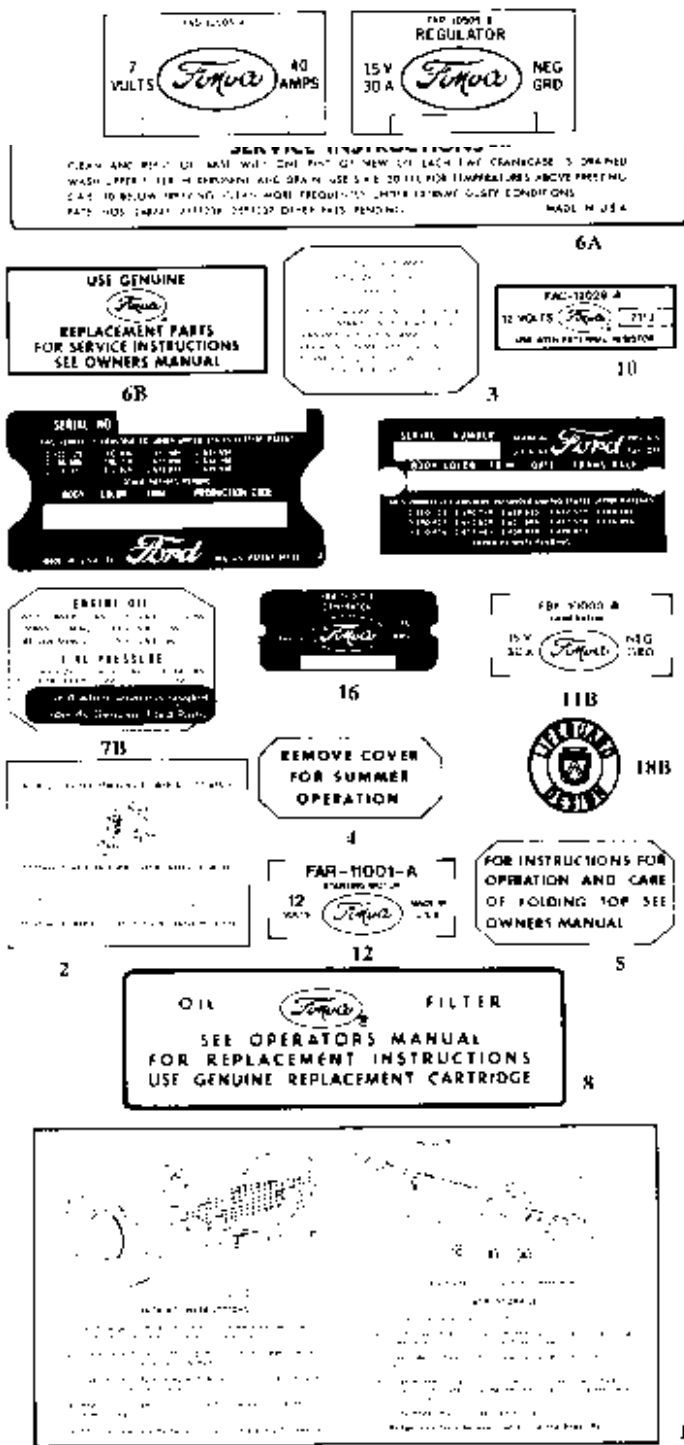


Fender Cover **32.95**

Decals

DECALS

1A	55/56 Jacking instructions	1.60
1B	57, Jacking instructions	1.60
2	Heater instructions	1.50
3	Automatic Trans. (glove box)	3.00
4	Hood block-off plate	1.50
5	Soft top (glove box)	1.50
6A	55/56 Air cleaner	2.50
6B	57, air cleaner	2.50
7A	55/56 Engine oil press, (glove box)	1.50
7B	57, Engine oil press, (glove box)	1.50
8	55/56 Oil filter can	2.00
9A	55,6V Voltage regulator cover	1.50
9B	56/57, 12V Voltage regulator cover	1.50
10	56/57, Coil decal	2.00
11A	56, Generator decal	1.50
11B	57, Generator decal	1.50
12	56/57 Starter decal	1.50
13	55/56 early 57, data plate	1.50
14	57 late, data plate	1.50
15	Data plate rivets pair	4.50
16	55, generator plate, with rivets	4.15
17	55, Start plate, with rivets	4.15
18A	56, "Lifeguard" decal (door jam)	2.50
18B	57, "Lifeguard" decal (door jam)	3.00
Kit 55	Complete set, includes all appropriate decals above	24.50
Kit 56	Complete set, includes all appropriate decals above	24.50
Kit 57	Complete set, includes all appropriate decals above	22.50
19A	Valve cover, 55, 56, & 57, 292CID pr.	7.50
19B	Valve cover, 56/57, 312CID pr.	7.50
20A	55, Inspection stamped decal set; includes 2 paint, 2 road test & 1 ea. heater voltage, heater date, trim, glass & final inspection	9.95
20B	56, Inspection stamped decal set	9.95
20C	57, Inspection stamped decal set	9.95
21A	55/56, Jewel set, oil generator & turn signals	7.00
21B	57, Jewel set, oil, generator & turn signals	7.50
22	Engine foundry tag (on engine)	4.95



Literature

BOOKS & LITERATURE



Carburetor Manual; 55	19.95
Carburetor Manual; 56 supplement	19.95
Carburetor Manual; 57	19.95
Supercharger Manual	19.95
Distributor Manual	19.95



FordOMatic Transmission Manual 55	18.95
FordOMatic Transmission Manual 56/57	18.95
Soft Top Illustration	3.95
Wire Wheel Cover Installation	3.95



Owner's Manuals Reprints of the originals, with photos, schedules and instructions for operation and maintenance, fits in glove box for easy reference.

55	11.95
56	11.95
57	11.95



Trim & Sealer Manual	19.95
Electrical Manual	19.95



Radio Service Manual A quality reprint showing a schematic breakdown of the internal parts of the radio.

55	8.95
56	8.95
57	8.95

Product Service Letters Manual This is a compilation of technical service bulletins from Ford



Shop Manual 55	29.95
56	29.95
57	29.95
Specification Manual 55	24.95
Specification Manual 57	24.95

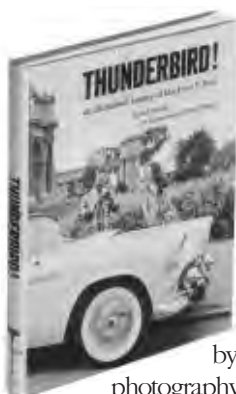
Illustrations Manual This manual is our own in-depth compilation of full-page illustrations that cover all systems in your Thunderbird. This manual is a "must have item" for those who work on their own car or if you need to have an idea of what your mechanic is doing on your vehicle. Probably one of the best investments you can make when it comes to restoring your T-Bird properly.

16.95

Literature and Accessories



Multi-Color Sales Brochures Reprints of the original sales brochures handed out by the Ford dealerships back in 55, 56, 57 to people interested in purchasing the new style sports car. 55, 56 **12.95**
57 **9.95**



Thunderbird! An illustrated history of the Ford T-Bird. Detailed! Over 1,000 sharp, new pictures of the Ford Thunderbird, many in full color! Accurate! low-mile originals or quality restorations used as models! Large Size! Hard-bound, with colorful wrap-around protective dust jacket. Over 300 pages, 1,000 illustrations, many in full color. Written by Ray Miller, noted automotive historian, with photos

by Glenn Embree, outstanding automotive photography! similar to their earlier works on Antique & Classic Automobiles! Thunderbird! is not an amateur's photo album. Neither is it a complex engineering notebook. It contains, to be sure, some significant changes, but also the trivia of the model years. Rather, it is what it set out to be, an accurate, authoritative, study of the characteristics that made for a "typical" model year. Future restorers will benefit from its compact, succinct, and definitive presentations. It is a book to be enjoyed by the curious, welcomed by the purist and relished by the aficionado... **49.95**



Wiring Schematics All on one page for easy trace downs. W1-55; W2-56; W3-57 regular power seat; W4-57 w/dial-o-matic seat **7.95**

CTCI Restoration Details And Specifications Manual

The long awaited resource for the 1955, 1956, and 1957 Thunderbird owner answering the most common questions asked by Thunderbird owners. Technical information has been gathered by Gill Baumgartner, CTCI Authenticity Chairman. Based on FoMoCo published data coupled with many years of experience of inspecting numerous low-mileage original cars. Also the best of the tech articles from EarlyBird Magazine. **ALL UNDER ONE COVER!**



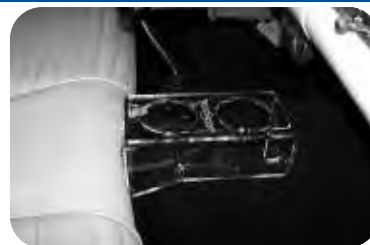
Sectioned 3-ring notebook format lies flat, allows expansion with the purchase of annual supplements. 104 pages, 215 color photos. **49.95**
Addendum 1995 **19.95**
Addendum 1996 **19.95**
Addendum 1999 **19.95**
Addendum 2001 **19.95**
Addendum 2003 **19.95**
Addendum 2005 **19.95**
Addendum 2007 **19.95**
Addendum 2009 **19.95**
Addendum 2011 **19.95**
Addendum 2013 **19.95**
3 ring binder for books above **10.95**

Wing Rider 225.00

- Full-Length Design
- Holds Two King-Size Drinks
- Firm Lid
- Large Storage Comartment!
- Installs in Seconds
- Remove in Seconds



Drink Caddie 34.95

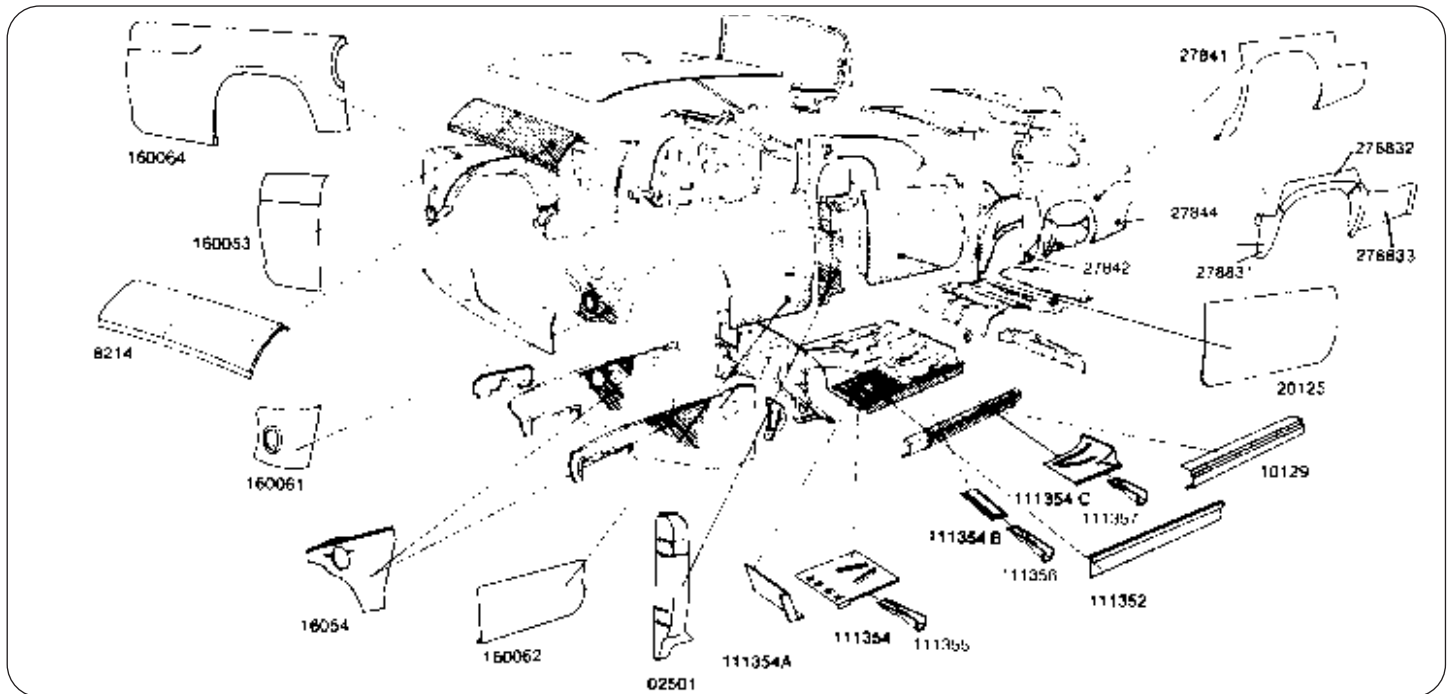


Dashboard "Plug & Chug"

Convert your ash tray into a drink holder utilizing the factory ash tray mounting brackets. A simple way to keep drinks out of the way and insulated on your next road trip. 55-57 **.51.95**



Sheet Metal Repair Panels



8214	Nose panel, complete.	425.00	16055	Patch panel at left air duct	99.50
02500R	Door post repair RH - 55	112.00	160052R	Front fender bottom rear - RH	80.00
02501L	Door post repair LH - 55	112.00	160062L	Front fender bottom rear - LH	80.00
11215A	Brace, trunk to rear panel.	24.00	20124R	Door skin 14.5 inches high RH.	120.00
11215B	Bracket spare wheel- bolt to trunk - 55.	9.95	20124AR	Door skin 16.5 inches high RH.	240.00
11215C	Support - spare wheel- trunk floor - 55.	7.50	20125R	Door skin 14.5 inches high LH	120.00
11215D	Bracket - jack retainer- trunk floor - 55.	3.50	20125AR	Door skin 16.5 inches high LH.	240.00
11215D7	Bracket - jack retainer- - trunk floor - 57	3.50	27838R	Quarter panel O.S. top cap, RH above wheel opening.	65.00
11215E	Clip - jack post to wheel house	1.50	27839L	Quarter panel O.S. top cap, LH above wheel opening.	65.00
10128R	Outer rocker, 34 1/2 long, RH	82.00	27840R	Quarter panel repair, RH	275.00
10129L	Outer rocker, 34 1/2" long, LH	82.00	27841 L	Quarter panel repair, LH.	275.00
111215A	Trunk floor panel, flat section 55	424.95	27842R	Quarter panel bottom front RH.	72.50
111215B	Trunk floor panel, flat section 56	424.95	27843L	Quarter panel bottom front LH.	72.50
11135R	Inner rocker panel, RH.	67.00	27844R	Quarter panel bottom rear RH	112.50
11136L	Inner rocker panel, LH.	67.00	27845L	Quarter panel bottom rear LH.	112.50
111353R	Front floor section, RH.	149.95	278821 R	Wheelhouse lower front RH.	65.00
111354L	Front floor section, LH	139.00	278831 L	Wheelhouse lower front LH	65.00
111353AR	Sloping firewall floor, RH	72.50	278822R	Wheelhouse top cap, RH	55.00
111344AL	Sloping firewall floor, LH	72.50	278822L	Wheelhouse top cap, LH	55.00
111353BR	Center floor section, RH.	74.95	278823R-55	Wheelhouse extension 55 RH.	135.00
111354BL	Center floor section, LH	74.95	278833L-55	Wheelhouse extension 55 LH	135.00
111353CR	Rear floor section, RH	130.00	278823R-56	Wheelhouse extension 56 RH.	135.00
111353CL	Rear floor section, LH.	130.00	278833L-56	Wheelhouse extension 56 LH	135.00
111355	Front floor brace	55.00	278823R-57	Wheelhouse extension 57 RH.	135.00
111356	Center floor brace	55.00	278833L-57	Wheelhouse extension 57 LH	135.00
111357	Rear floor brace	55.00	278800	Trunk floor brace 57 only.	99.95
160051AR	Front fender at park light, RH, 55-56.	95.00			
160051BR	Front fender at park light, RH 57	95.00			
160061AL	Front fender at park light, LH 55-56	95.00			
160061BL	Front fender at park light, LH, 57	95.00			
16054	Patch panel at right air duct	99.50			

Toll Free U.S. & Canada (800) 423-4751 or (562) 944-6237 • FAX (562) 941-8677

Hardware Kits

WINDSHIELD

101TB	Screws, inside mirror	1.40
102TB	Screws, visor arm & retainer to header, 8 pcs	2.25
103TB	Windshield garnish mldgs, inside to . . windshield frame	5.95
105TB	Screws, outside side windshield mouldings (03146-7) to windshield frame, 8 pcs.	1.95
106TB	Screws, windshield pillar weatherstrips (02626 & 02627) to pillar, 8 pcs	1.95

DOOR

110ATB	Kit, Door panels to door 55/56, 32 pcs .	12.95
110BTB	Kit, Door panels to door 57, 20 pcs . . .	11.95
110CTB	Door panels to door w/o clips 55/56 12 pcs	2.50
110DTB	Door panels to door w/o clips 57, 10 pcs	2.50
111TB	Screws, Door Garnish plates (21144 & 21145) to door, 4 pcs.	1.30
112TB	Outside door handles to door, 4 pcs. . .	1.95
113TB	Door garnish mouldings (21172) to door, 18 pcs	8.95
114TB	Rivets, Door glass runs (21546) to door pillar, 12 pcs	2.75
115TB	Screws, Door garnish mouldings (20906-7) to doors, 8 pcs	2.25
116TB	Screws, Door mouldings spacers. (22134-5) to door, 10 pcs	3.25
117TB	Screws, Arm rests to door panels, 15 pcs	3.40
118TB	Door hinge to body & door, 7 pcs	3.90
119TB	Door access plates to doors, 12 pcs . . .	2.95
119ATB	Outside rear view mirror to door 55, 2 pcs	.80
119BTB	Outside mirror to door, 56/57 2 pcs80

SEAT

120TB	Seat back panel to seat, 21 pcs.	6.90
-------	--	------

OTHER INTERIOR

131TB	Vent grills inside to body, 8 pcs	2.25
132TB	Step plates to body, 16 pcs.	3.25
133TB	Firewall cover to firewall, 13 pcs	5.95
135TB	Quarter trim panels to body, 20 pcs . . .	2.70
136TB	Kit, Upper back panel garnish molding (40408-9) to body, 22 pcs.	8.95
137TB	Rear holddown plates (50553) to rear deck, 10 pcs.	3.85
138TB	Steering wheel retaining nut, 1 pc	2.50

DASH & FIREWALL

140TB	Accelerator pedal to floorboard 2 pcs . .	1.45
141TB	F/M brake pedal to pedal arm, 3 pcs . .	.80
143TB	Steering column trim to retainer, 4 pcs .	1.60
144TB	Instrument cluster trim (10987) to dash, 57, 7 pcs.	2.30
145TB	Speaker cover to dash, 8 pcs	1.50
145ATB	Radio speaker to dash, 4 pcs	1.50
146TB	Hood release cable bracket to dash, 4 pcs	1.80

HARDTOP

150TB	Porthole rings to hardtop, 8 pcs	2.45
149TB	Hardtop tack stripping to top	7.00
151TB	Hardtop binding joint covers to hardtop, 6 pcs	1.30
152TB	Hardtop weatherstrip to top, 51 pcs . . .	7.95
153TB	Hardtop edge molding to top, 20 pcs . .	3.80
155ATB	Hardtop front clamps to top, 4 pcs. . . .	2.20
155BTB	Hardtop side clamps to top, 4 pcs	2.20
155CTB	Hardtop rear clamp plates to top, 8 pcs	2.90

SOFT TOP

160TB	Soft top weatherstrip to frame, 96 pcs. .	16.50
161TB	Soft top front header trim to frame, 18 pcs	17.95
165ATB	Soft top front clamps to top, 8 pcs	3.50
165BTB	Soft top side clamps to top, 4 pcs.	2.25
165CTB	Soft top rear clamp plate to top, 8 pcs .	3.50
166TB	T-bolts soft top.	22.95

TRUNK

170TB	Trunk side cardboards to body, 57 13 pcs	2.70
171TB	Trunk divider board screws, 55 pcs . .	1.70

BODY FRONT

200ATB	Grill to body and lower molding lower molding to front deflector-front deflec- tor to rear deflector, side deflectors & fenders 55/56.	16.95
200BTB	Grill to body and front deflector, front deflector to ends and rear deflector, rear deflector to side deflectors, ends to side deflector and fenders, 57	18.95
200CTB	Grill at top to body	

Hardware Kits

	(included in 200ATB & 200BTB), 6 pcs.	2.70
200DTB	Center rear deflector access panel to deflector, 3 pcs (incl. in 200A & BTB) . .	.60
201TB	Side grill mouldings to body 55/56 6 pcs	2.90
202ATB	Upper grill mouldings to body 55/56, . .	
	18 pcs	9.95
202BTB	Upper grill mouldings to body 57, 18 pcs	10.95
203TB	Headlamp door to bucket, 2 pcs.90
205TB	Nameplate (8259) to front plane 2 pcs . .	.90

LAMPS

210ATB	Parking lamp lens to lamp body 55/56, 6 pcs	2.50
210BTB	Parking lamp lens to lamp body 57, 4 pcs	4.50
211ATB	Rear lamp lens to lamp body 55, 6 pcs.	6.75
211BTB	Rear lamp lens to lamp body 56, 6 pcs.	6.75
211CTB	Rear lamp lens to lamp body 57, 8 pcs.	10.50
212ATB	Backup lamp lens to lamp body 55, 12 pcs	7.50
212BTB	Backup lamp lens to lamp body 56 . . .	5.25
213TB	headlamp bucket to fender & retaining ring to bucket, 18 pcs.	4.75
214TB	Parking lamp body to bumpers 57, 12 pcs	2.70
215BTB	Rear lamp housing to quarter 57, 16 pcs	2.40
216BTB	Backup housing to rear quarter 56, 12 pcs	1.90
217TBA	Screws, License lens 2 pcs90

GLASS

220TB	Lower windwing hinges to windwing frames, 8 pcs	2.40
230TB	Skirt clips to quarter panel, 8 pcs	1.75
231TB	Skirt trim (29164-5) to skirts, 18 pcs . . .	2.95

BODY SIDES & HOOD

240TB	Louver trim to front fenders, 12 pcs . . .	2.65
241ATB	Thunderbird scripts to body 55/56 8 pcs	2.40
241BTB	Thunderbird scripts to body 57, 10 pcs	2.75
242TB	Clips, Crest Medallion (25666), 4 pcs for 2	1.25
243TB	Cowl side vent door (outside) to hinge & hinge to fender, 12 pcs	2.95
244ATB	Hood hinge to bracket, 8 pcs	2.70
245TB	Hood emblem (16607) to hood, includes 16873 spacers, 8 pcs	8.95

BODY REAR

250TB	Trunk handle (43500) to insert and deck lid, 5 pcs	3.40
250ATB	Trunk handle (43500) to insert and deck lid w/o wedge washers, 9 pcs . . .	3.25
251ATB	Gas filler lid to hinge & hinge to deck lid 55/56, 8 pcs	1.60
251BTB	Gas filler lid to hinge 57, 3 pcs.	1.00
252ATB	Continental kit holder (1481) to body/frame 56,16 pcs.	5.50

EXHAUST

260ATB	Exhaust deflectors (5202-3) to bumper 56, 22 pcs	8.00
260BTB	Exhaust deflector (5205) to bumper 57, 12 pcs (as original)	24.00

ENGINE & ENGINE COMPARTMENT

300TB	Damper to crankshaft, 2 pcs	4.50
301TB	Hood pad (drive nails) to body, 7 pcs . .	1.95
302TB	Hood locks (16700-1) original nuts, 8 pcs	2.50
303TB	Muffler inlet pipes to exhaust manifolds, 12 pcs	14.50
304TB	Exhaust manifolds to heads, 28 pcs . . .	8.50
305ATB	Oil pan to block 55/56, 46 pcs	6.90
305BTB	Oil pan to block, 57, 42 pcs	6.90
306TB	Vent tube opening cover (6869) to block 4 pcs	1.45
307TB	Front engine support insulator to frame, 10 pcs	3.70
308TB	Engine steady rest brackets to block, 8 pcs	2.70
309TB	Water outlet connector (8592) & by pass tube (8548 to manifold & water pump) 8 pcs	2.25
310TB	Starter to bell housing, 8 pcs	1.75
311TB	Ignition cable brackets to engine, 8 pcs	2.75
312TB	Starter solenoid to firewall, 2 pcs90
313TB	Apron shield, (16050) to apron, 8 pcs . .	2.25
314TB	Lower splash shield to apron, 12 pcs . .	5.50
315BTB	Battery support to apron & shield to support 56/57, 18 pcs.	3.90
316TB	Master cylinder to firewall, 4 pcs	2.75
317TB	Ground straps-engine & battery to firewall, 4 pcs	1.20
320TB	Aluminum rocker arm covers to heads - includes chrome washers, acorn nuts & long studs, 12 pcs.	25.95

Hardware Kits

322ATB	Electrical junction blocks to apron 55/56, 4 pcs	1.80	406BTB	Front bumper braces to frame 57, 55 pcs	14.50
322BTB	Electrical junction block to apron 57, 2 pcs90	406CTB	Front upper bumpers to lower bumper 57, 32 pcs	9.00
324ATB	Upper fan shroud to radiator, 8 pcs . . .	3.90	407ATB	Rear bumper braces to frame, 55 15 pcs	10.50
324BTB	Upper fan shroud to lower or lower to bracket, 10 pcs.	4.40	407BTB	Rear bumper braces to frame, 56 42 pcs	14.80
324CTB	Radiator to radiator frame, 4 pcs.	2.90	407CTB	Rear upper bumper to lower 56, 26 pcs	7.25
			407DTB	Rear bumper braces to frame 57, 56 pcs	11.30
			407ETB	Rear upper bumper to lower 57, 48 pcs	12.70

UNDER FENDERS

350TB	Lower rear splash panels to aprons, upper shields & fenders 56/57 30 pcs . .	6.50
351TB	Fender support brackets to aprons & fenders, 12 pcs.	3.60
352TB	Side vent spacer duct to apron & fenders, 18 pcs	2.75

CHASSIS

400ATB	Body to frame with instructions, 55 52 pcs	39.95
400BTB	Body to frame with instructions, 56, 58 pcs	39.95
400CTB	Body to frame with instructions 57, 66 pcs	39.95
400D	Body mount "J" nut set.	49.95
401TB	Upper A frame arms to frame, 12 pcs . .	10.00
402TB	Lower A frame arms to frame, 12 pcs . .	129.90
403TB	Front shock lower mounting plate to lower A frame, 8 pcs	2.95
404TB	Rear spring U bolt nuts, 4 pcs	1.70
405TB	Radiator support bracket to frame, 6 pcs	4.30
406ATB	Front bumper braces to frame 55/56, 16 pcs	11.00

17758B5	Front & rear bumpers to braces, 55 48 pcs	18.50
17758B6	Front & rear bumpers to braces, 56, 57 pcs	22.50
17758B7	Front & rear bumpers to braces 57, 24 pcs	14.50
408TB	Front brake drum to spindle, 8 pcs. . . .	8.50
409TB	Rear brake pipe connector to axle housing 55/56 4 pcs.	1.50
411ATB	Backing plate to rear axle housing 57, 16 pcs	38.00
412TB	Wheel cylinders to backing plates, 16 pcs	3.25
413TB	Stabilizer arm bracket. (5486) to frame, 12 pcs	2.40

TRANSMISSION & DIFFERENTIAL

501TB	Rear axle housing cover 55/56, 20 pcs .	4.00
502TB	Universal joint U-bolt-nut & lock washers, 4 pcs	1.30
504TB	Fordomatic pan to case, 28 pcs.	5.80

GENERAL

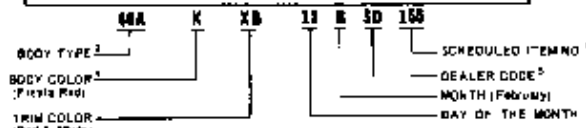
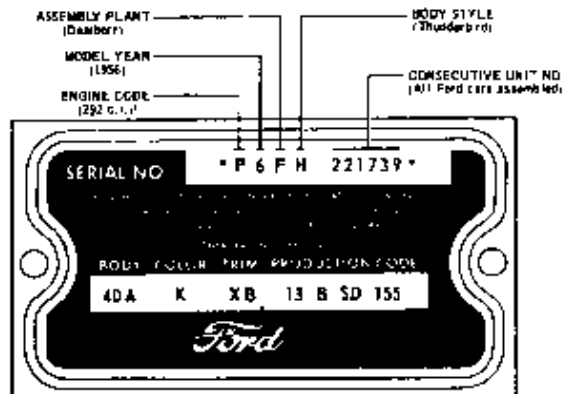
800TB	Data plate to firewall, 2 pcs	4.50
900TB	Staples like original for seals & weather strip pk 50	1.95

**GIFT GIVING
MADE EASY!**

**THE PRESTIGE
THUNDERBIRD
GIFT CERTIFICATE**

<p><i>Prestige</i> THUNDERBIRD</p> <p style="text-align: right;">Date _____</p> <p style="text-align: right;">\$ _____</p> <p style="text-align: center;"><i>Gift Certificate</i></p> <p><i>M</i> _____ upon presentation of this Gift Certificate, may select a gift of the value of _____ Dollars</p> <p>Presented by _____ Signature</p>

Data Plate Information



- * 40A - 195 HP 4-3-speed transmission, or 138 HP 4-2 Fordomatic or overdrive.
- * All '55 & '56 models with coded 40A, whereas all '57 models were coded 42.
- * Body color and hard top. If a second letter shows, it indicates a different color for the hard top.
- * 155B automobile (not only Thunderbird) scheduled to be assembled on February 13, 1956.
- * SD signifies a Boston Mass. dealer bearing the particular car.

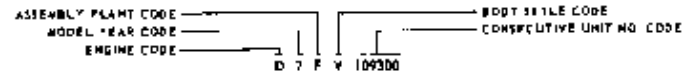
DISTRICT CODES

SALES AREA CODES (The letters and numbers never used together) WERE AS FOLLOWS:

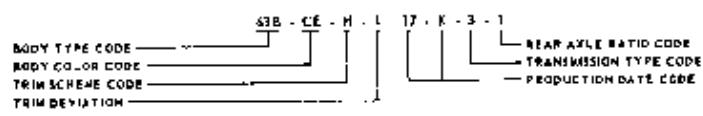
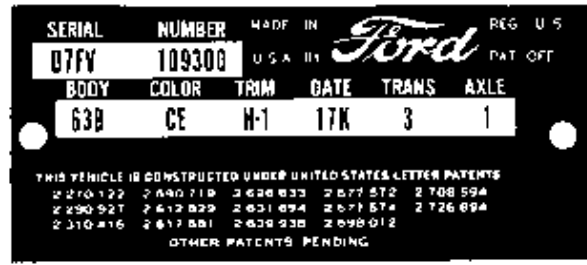
11/SD	Boston	45/DQ	Davenport
12/BF	Buffalo	51/DN	Denver
13/BX	New York	52/DS	Des Moines
14/PI	Pittsburgh	53/KS	Kansas City
15	Newark	54/ND	Omaha
21/NK	Atlanta	55/SL	St. Louis
22/CC	Charlotte	61/OP	Dallas
23/HD	Philadelphia	62/SU	Houston
24/KJ	Jacksonville	63/GB	Memphis
25/PP	Pomona	64/NR	New Orleans
26/DC	Washington, D.C.	65/KL	Oakland City
31/GI	Cincinnati	71/LP	Los Angeles
32/CI	Cleveland	72/SK	San Jose
33/DD	Detroit	73/SC	San Lake City
34/WP	Indianapolis	74/SE	Seattle
35/FX	Lansing	81/CA	Fort Collins, Colo.
36/LX	Louisville	82/EX	El Paso
41/CK	Cleveland, Ohio		Operations, New York
42/RG	Fort Worth	94/HO	Honolulu
43/KE	Rockford		Transportation and Equipment Department

EXTERIOR PAINT

1955 -	A - Raven Black; E - Snowflake White; R - Torch Red; T - Thunderbird Blue; Y - Goldenrod Yellow
1956 -	A - Raven Black; E - Color of White; J - Buckskin Tan; K - Fiesta Red; L - Peacock Blue; M - Goldenglow Yellow; X - Navajo Gray; Y - Sunrise Coral; Z - Thunderbird Green; T - T-Bird Gray
1957	A - Raven Black; E - Colonial White; F - Storm Blue; J - Willow Green; N - Gunmetal Gray; Q - Thunderbird Bronze; V - Flame Red; X - Dusk Rose; Y - Inca Gold; Z - Coral Sand
1958 -	Colors added or substituted for 1957 colors when 1957 Birds were being built with 1958 Fords. G - Sun Gold; H - Torch Red; L - Arctic Hue; M - Gunmetal Gray; N - Seaspray Green. Some 1957 Thunderbirds had a trim deviation number after the color code. Example: LL6. This late color deviation is not 100% accurate, and should be considered only as information showing a very late car.



Serial Number (D7FV109300)
 "D" - 8 cyl. OHV Engine - 312 cu. in. disp. - 4-venturi carb.
 "7" - 1957 Model
 "FV" - Assembled at Dearborn Plant
 "109" - Write a body style - Fairlane or Fairlane "500"
 "300" - Nine thousand, three hundredth car assembled



- Style and Body Specifications (63B - CE - H - 1 - 17K - 3 - 1)
- * 63B - Victoria - Fullsize Tudor
 - * CE - Dresser Blue lower body, Colonial White upper body
 - * H - Colonial Vinyl and Blue Tropical-Leaf Fabric Bodyclash
 - * 1 - First Transmission
 - * 17 - Seventeenth Day of Month
 - * K - Month of year - October
 - * 3 - Fordomatic Transmission
 - * 1 - Rear Axle Ratio of 3.10 to 1.

FIRST & LAST T-BIRD NUMBERS (INTERMIXED WITH PASSENGER CARS)

DATE	1955	DATE	1956	DATE	1957
4-9-55	1955-10000	4-12-55	1956-10000	4-14-56	1957-10000
4-15-55	1955-20000	4-21-56	1956-20000	4-20-57	1957-20000
Total	15,000	Total	15,000	Total	15,000

MONTHS OF THE YEAR CODES

MONTH	First Second	MONTH	First Second	MONTH	First Second
January	A - B	May	C - D	September	K - L
February	B - F	June	E - G	October	L - M
March	C - D	July	G - H	November	M - N
April	D - P	August	H - V	December	N - Z

INTERIOR TRIM

Year Code	Eng.	Gears	Transmission	HP	Trim
1955	P 292	4V	3-speed	193	XA - Black and White
	P 292	4V	Fordomatic	198	XB - Red and White
	P 292	4V	Overdrive	198	XC - Turquoise and White
1956	M 292	4V	1-speed	202	XD - Black and Yellow
	H 312	4V	Overdrive	215	
	P 312	4V	Fordomatic	225	
	P 312	5V	3-sp. or OD	260	
1957	C 292	2V	3-speed	212	XE - Black and White Vinyl
	G 312	4V	Trimomatic	245	XF - Red and White Vinyl
	F 312	5V	any	270	XG - Dark Turquoise and White Vinyl
	F 312	4V	any	300	XH - Green and White Vinyl
	F 312	4V	any	300	XI - Brown and White Vinyl

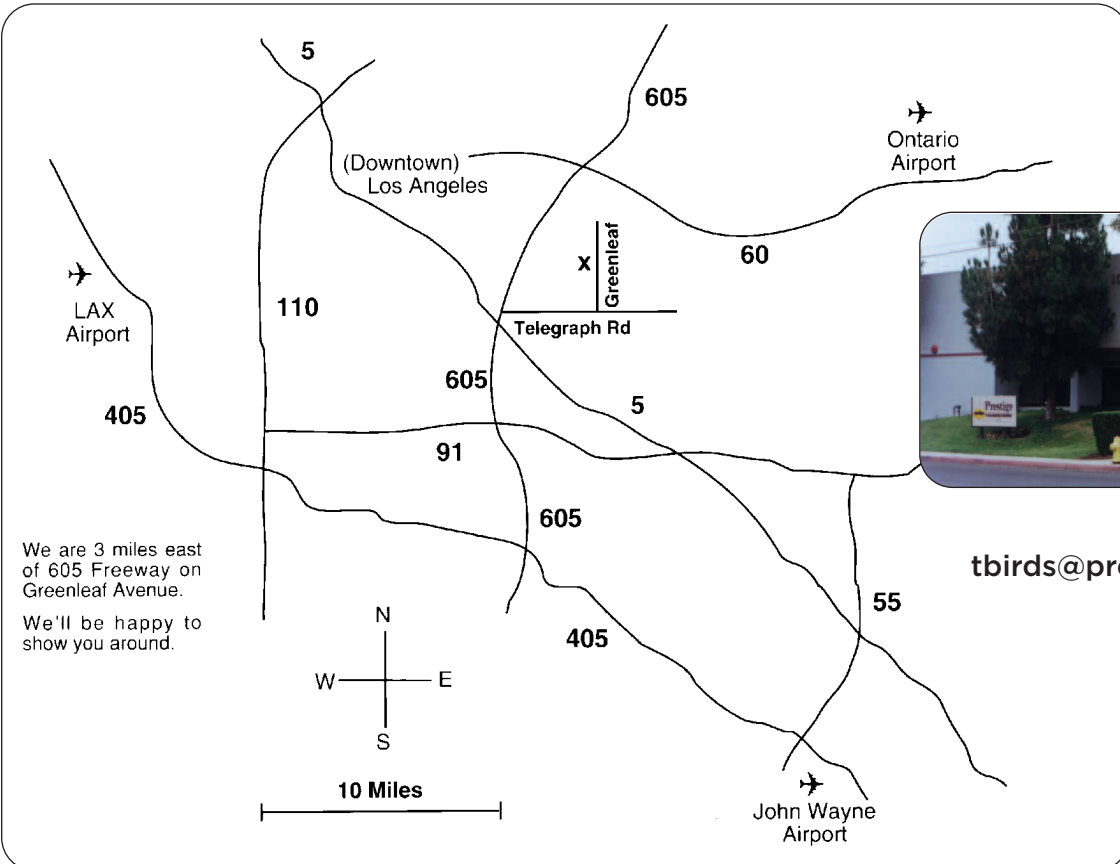
* Supercharged

Index

Accelerator Pedal.....	38	Fan Blade.....	34	Key Blanks.....	80	Soft Top Pins.....	73
Accelerator.....	79-81	Fan Shroud.....	31	Kick Panel Retainers.....	40	Spare Tire.....	7
Adapter, Oil Filter.....	26	Fender Cover.....	81	Kick Panels.....	76	Spark Plug Wires.....	48
Air Cleaner.....	37	Fender Emblems.....	56, 67	Knob, Vent Lever.....	40	Speakers.....	4, 63
Air Conditioning.....	78	Fender Ornaments.....	55, 56, 67	Latch, Hard & Soft Top.....	71-72	Speedometer Cables.....	57
Air Ducts.....	40	Fender Repair Panels.....	85	Leaf Spring.....	23	Speedometer Lens.....	46, 57
Antenna.....	63	Fender Script.....	55, 67	Lens, License Plate.....	51	Spring, Trunk.....	68
Arm Rest Base.....	67	Fender Skirt.....	67	License Plate Bracket.....	59	Starter.....	46
Arm Rest Cover.....	76	Fender Skirt Seals.....	67	License Plate Lamp.....	51	Starter Solenoid.....	46
Axle Bumpers.....	23	Firewall Cover.....	39	Literature.....	83-84	Steering.....	12-17
		Firewall Grommets.....	39	Lock Knob, Door.....	66	Steering Gearbox.....	14
		Flasher.....	50	Lug Wrench.....	57	Step Plates.....	49
Backup Lamps.....	51, 55	Floor & Cowl Plug Kit.....	46			Stop Light Switch.....	51
Ball Joints.....	12	Floor Cover.....	76	Manuals.....	83	Striker Plates.....	66
Battery Cables.....	52, 53	Floor Mats.....	81	Map Light.....	52	Sun Visor.....	41, 76
Battery Clamps.....	45	Floor Pans.....	85	Master Cylinder.....	9	Suspension.....	12-23
Battery Tray.....	45	Fuel & Vacuum Lines.....	35, 49	Mirrors.....	59	Suspension Bumpers.....	12, 23
Bellcrank.....	28	Fuel Caps.....	34	Motor Mounts.....	24, 27	Suspension Bushings.....	13, 23
Body Panels.....	85	Fuel Filter Door.....	68	Motor, Heater.....	62	Sway Bars.....	23
Body Pillar Weatherstrip.....	41	Fuel Filter.....	35, 36	Moulding, Fender Skirt.....	67	Swingarm Bar.....	3, 72-73
Body Rubber Kit.....	78	Fuel Pump.....	36	Moulding, Garnish Rail.....	65	Switch, Power Seat.....	54
Body Weather Strip Kit.....	78	Fuel Sender.....	36	Moulding, Hard Top.....	71	Switch, Power Window.....	54
Bows, Headliner.....	74	Fuel System.....	34-36	Moulding, Rear Window.....	71		
Brake Booster.....	8	Fuses.....	54			Tachometer Face.....	57
Brake Drums.....	6			Nose Panel.....	32, 84	Tail Lamp Weatherstrip.....	50
Brake Hoses.....	9, 11	Garnish Rail Cover.....	76			Tail Lamp Wiring Loom.....	53
Brake Lines.....	11	Garnish Rails.....	64	Oil Dipstick.....	26	Tail Light Bezels.....	51
Brake Pedals.....	11	Gas Tank.....	34	Oil Filter.....	26	Tail Light Lens.....	51
Brake Shoes.....	8, 10	Gas Tank Neck Grommet.....	35	Oil Pump.....	25	Temperature Sender.....	46
Brakes.....	8-11	Gas Tank Strap.....	35	Outside Mirror.....	59	Thermostat.....	34
Breather Cap.....	27	Gasket, Valve Cover.....	24			Tie Rod Ends.....	13
Bulbs, Dash.....	51	Gear, Speedometer.....	57	Paints.....	25, 79	Tonneau Cover.....	76
Bumper Brackets.....	59	Gear, Tachometer.....	58	Panels, Door.....	76	Tools.....	6, 19, 67
Bumper Guard.....	59	Generator.....	44	Park Lamp Gasket.....	49	Top Latch Plate.....	71-72
		Generator Regulator.....	44	Park Light Body.....	49	Top Lock.....	80
Cable, Heater.....	62	Glass Run.....	65	Parking Light Lens.....	49	Transmission.....	28-30
Car Cover.....	80	Glove Box.....	43	Pinion Seal.....	19	Transmission Lock.....	80
Carburetor.....	36	Grille.....	31	Port Hole Glass.....	68	Transmission Mount.....	24
Carburetor Gaskets.....	36, 37	Ground Strap.....	53	Port Hole Kit.....	68	Trunk Cardboard.....	70
Carpet.....	76			Power Steering.....	14-17	Trunk Lock Cylinder.....	69
Cat Whisker Set.....	65	Handle, Door.....	66	Power Steering Hoses.....	17	Trunk Lock Sleeve.....	69
Cigar Lighter.....	54	Hard & Soft Top Parts.....	71-74	Power Steering Pump.....	15, 17	Trunk Mat.....	70
Clock Face.....	57	Hard Top Hoist Kit.....	81	Power Windows.....	54, 65, 67	Trunk Ornament.....	67, 68, 69
Coil.....	47	Hard Top Latches.....	71-72	Power Window Harness.....	54	Trunk Weatherstrip.....	70
Coil Spring.....	23	Hard Top Moulding.....	71			Turn Signal Lever.....	50
Condenser.....	48	Hard Top Weatherstrip.....	74	Quarter Panel.....	67, 85	Turn Signal Switch.....	50
Continental Kit.....	77	Hardware Kits.....	86-88	Quarter Panel Cardboard.....	76		
Control Valve.....	17	Harmonic Balancers.....	24	Quarter Panel Repair.....	85	Under Dash Wiring Loom.....	53
Coolant Recovery Kit.....	24	Headlamp Bucket Gasket.....	49	Quarter Panel Script.....	67	Universal Joints.....	19
Coupling Power Seat.....	67	Headlamp Wire.....	49			Upholstery.....	75-76
Cylinder, Door Lock.....	66	Headlamp Switch.....	46	Radiator.....	30		
		Headlights.....	49	Radiator Cap.....	31	Vacuum Advance.....	49
		Headliner.....	76	Radiator Hoses.....	32	Valve Covers.....	25
Dash Aluminum.....	43	Heater.....	61-63	Radio Knobs.....	63	Vent Door Grille.....	40
Dash Cover.....	76	Heater Bezel.....	63	Radio Tubes.....	63	Vent Door Seals.....	40
Dash Pad.....	43, 76	Heater Control Face.....	63	Radios.....	5	Ventilation System.....	39-40
Data Plate Info.....		Heater Core.....	61	Ram Cylinder.....	14		
Decals.....	82	Heater Ducts.....	40	Rear Axle.....	18-19	Washer Bag.....	58
Deck Lid Bumper.....	50, 68	Heater Hose Clamps.....	62	Rear Bumper.....	59	Washer Pump.....	58-59
Disc Brakes.....	5	Heater Plenum.....	61	Rear Window Moulding.....	71	Watches.....	81
Distributor Cap.....	47	Hinge, Door.....	67	Ring Gear.....	24, 30	Water Pump.....	33
Distributor Points.....	48	Hinge Vent Door.....	40	Rocker Panel.....	44, 85	Wheel Bearings.....	7
Door Handle Pads.....	66	Hood Bumper.....	56	Rubber Bumpers.....	12, 23, 65	Wheel Center Medallion.....	6
Door Handles.....	66	Hood Cable.....	57			Wheel Covers.....	6
Door Hinges.....	67	Hood Grille.....	56	Screw Kits.....	86-88	Wheel Cylinders.....	9, 10
Door Latch.....	66	Hood Hinge Spring.....	56	Seat Belts.....	73	Wheelhouse.....	85
Door Lock.....	66	Hood Seal.....	56	Seat Cover.....	75	Windlace.....	76
Door Molding.....	64-65	Horn Relay.....	52	Seat Divider Board.....	70	Window Gear.....	67
Door Panel Trim.....	64-65	Horn Ring.....	52	Seat Foam.....	75	Window Handle.....	66
Door Panels.....	76	Horn Ring Emblems.....	52	Seat Handle.....	73	Window Regulator.....	67
Door Pillars.....	64	Hose Clamps.....	32, 61	Seat Switch Bezel.....	54	Window Roller.....	67
Door Seals.....	64			Sheet Metal.....	85	Window Stops.....	65
Doors & Windows.....	64-67	Idler Arm.....	14	Shift Knob.....	29	Window Switch Bezel.....	54
Drop Curtains.....	76	Ignition Switch.....	46	Shocks.....	61	Windshield.....	41
		Inside Mirror.....	59	Shop Manual.....	83	Windshield Squirters.....	59
		Instruments.....	36, 46, 57	Soft Top.....	3	Windshield Wiper Arms.....	58
				Soft Top Covers.....	73	Windshield Wiper Parts.....	58
Emblems.....	55, 56, 67, 71	Jack.....	57	Soft Top Latches.....	71	Winding Parts.....	41
Emergency Brake.....	11	Jewel Kit.....	82	Soft Top Swingarm.....	3, 72-73	Wiper Knob.....	58
Emergency Brake Cables.....	11			Soft Top Weatherstrip.....	72, 74	Wiper Motor.....	58
Engine Paint.....	79					Wiring.....	49, 53, 54
Exhaust Hangers.....	20-22						
Exhaust Manifold.....	36						
Exhaust Systems.....	20-22						

Prestige Thunderbird

10215 Greenleaf Ave. • Santa Fe Springs, CA 90670



E-Mail:

tbirds@prestigethunderbird.com